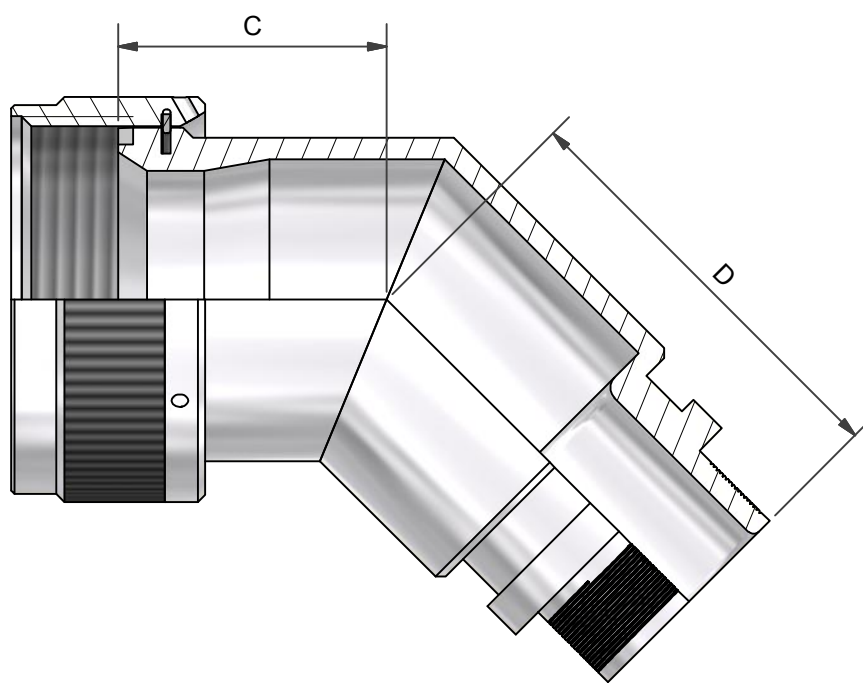
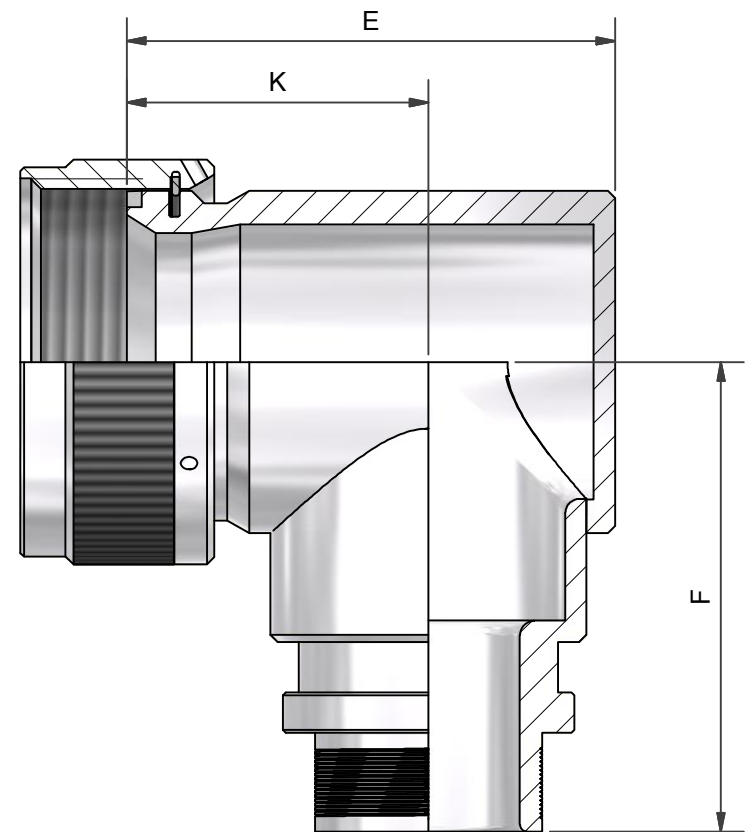


ANGLE 1



ANGLE 2



ANGLE 3

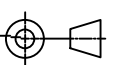


DRAWN		DATE		 3RD ANGLE PROJECTION NOT TO SCALE	PART NUMBER:			 60A SERIES			
K.WINCZURA		23/09/2016			TITLE:						
DESIGN APPROVAL		DATE		UNLESS OTHERWISE SPECIFIED ALL DIMENSIONS IN MILLIMETRES GENERAL TOL LINEAR +/-0,25MM ANGULAR +/- 1°	MEMORY RING BACKSHELL			 TE			
K.SHEPPARD		23/09/2016			ASSY USED ON: MIL-DTL-26482 SERIES II / MIL-DTL-83723 SERIES I & III						
DOC TYPE	Customer Drawing			MATERIAL SEE PART NUMBER BREAKDOWN FINISH SEE PART NUMBER BREAKDOWN	THIS DRAWING IS COPYRIGHT AND THE PROPERTY OF POLAMCO LTD IT MUST NOT BE COPIED, USED FOR MANUFACTURE OR OTHERWISE DISCLOSED WITHOUT PRIOR WRITTEN CONSENT OF THE COMPANY.			RESTRICTED TO:		SHT	DRAWING NO:
ISSUE/REV	AA	DCR	---		POLAMCO LTD, WESTON LOCK, LOWER BRISTOL ROAD BATH BA2 1EP		1	P10995			
NCAGE CODE U5792		WEIGHT 14.52 g									

TABLE 1

SHELL SIZE	A THREAD	ØB MAX	ØT MIN	L MAX	C MAX	D MAX	E MAX	F MAX	K ±0,5
03	9/16-24 UNEF	17,0	6,7	25,7	17,0	27,5	26,6	26,4	17,8
08	1/2-20 UNF	15,6	6,5	25,7	16,8	27,3	24,7	26,5	17,5
10	5/8-24 UNEF	18,6	9,2	25,7	17,0	28,0	26,7	28,2	17,8
12	3/4-20 UNEF	21,7	12,7	25,7	17,5	28,5	29,2	28,9	18,7
14	7/8-20 UNEF	24,9	14,6	25,7	18,3	29,5	30,7	30,6	19,0
16	1-20 UNEF	28,2	17,7	25,7	19,2	30,2	34,2	32,9	21,0
18	1 1/16-18 UNEF	30,9	19,7	25,7	19,4	31,0	37,2	33,0	23,5
20	1 3/16-18 UNEF	34,1	22,9	25,7	20,3	31,4	42,2	34,6	27,0
22	1 5/16-18 UNEF	37,3	26,1	25,7	20,5	31,6	44,2	36,2	27,0
24	1 7/16-18 UNEF	40,4	29,0	25,7	22,0	32,6	45,2	37,7	27,0
28	1 3/4-18 UNS	50,0	34,9	36,2	23,5	33,0	54,4	42,4	31,4
32	2 - 18 UNS	56,3	41,2	40,2	25,2	29,8	60,9	45,8	36,4
36	2 1/4-16 UN	62,7	46,7	45,2	26,4	31,2	67,4	48,9	38,0
40	2 1/2-16 UN	69,0	52,1	50,7	28,8	32,5	73,4	51,9	41,0
44	2 3/4-16 UN	75,4	58,6	50,7	30,3	34,2	79,7	55,1	44,1
48	3-16 UN	81,7	65,0	50,7	31,5	35,4	86,0	58,2	47,2
61	1 1/2-18 UNEF	42,0	30,1	28,2	22,3	27,1	48,0	39,2	28,0

TABLE 2

ENTRY SIZE	ØG MIN	ØH MAX	ØM MAX
04	6,3	14,3	9,5
05	7,9	15,8	11,1
06	9,5	17,4	12,7
07	11,1	19,0	14,3
08	12,7	20,6	15,9
10	15,8	23,8	19,0
12	19,0	27,0	22,2
14	22,2	30,1	25,4
16	25,4	33,3	28,6
18	28,5	36,5	31,8
20	31,7	39,7	34,9
22	34,9	42,8	38,1
24	38,1	46,0	41,3

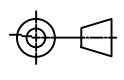


TABLE 3

CODE	PLATING
B	CADMIUM OLIVE DRAB OVER ELECTROLESS NICKEL
C	ELECTROLESS NICKEL
ZB	ZINC COBALT OLIVE DRAB OVER ELECTROLESS NICKEL

SEE SS0076 FOR FULL RANGE OF FINISH OPTIONS

60A1-16-08-1-C-A

SERIES _____
 CONNECTOR INTERFACE _____
 ANGLE _____
 1- STRAIGHT,
 2 - 45°
 3 - 90°
 SHELL SIZE (TABLE 1) _____
 ENTRY SIZE (TABLE 2) _____
 MATERIAL _____
 ALUMINIUM ALLOY
 FINISH (TABLE 3) _____
 RING OPTION _____
 A - SINGLE BRAID,
 B - DOUBLE BRAID,
 OMIT IF NO RING IS REQUIRED

DRAWN		DATE		 3RD ANGLE PROJECTION NOT TO SCALE	PART NUMBER:				60A SERIES				 Polamco 
K.WINCZURA		23/09/2016			TITLE:				MEMORY RING BACKSHELL				
DESIGN APPROVAL		DATE		UNLESS OTHERWISE SPECIFIED ALL DIMENSIONS IN MILLIMETRES GENERAL TOL LINEAR +/-0,25MM ANGULAR +/- 1°	ASSY USED ON: MIL-DTL-26482 SERIES II / MIL-DTL-83723 SERIES I & III				RESTRICTED TO:				
K.SHEPPARD		23/09/2016			THIS DRAWING IS COPYRIGHT AND THE PROPERTY OF POLAMCO LTD IT MUST NOT BE COPIED, USED FOR MANUFACTURE OR OTHERWISE DISCLOSED WITHOUT PRIOR WRITTEN CONSENT OF THE COMPANY.				POLAMCO LTD, WESTON LOCK, LOWER BRISTOL ROAD BATH BA2 1EP		SHT 2		
DOC TYPE	Customer Drawing			MATERIAL SEE PART NUMBER BREAKDOWN FINISH SEE PART NUMBER BREAKDOWN	NCAGE CODE U5792		WEIGHT						
ISSUE/REV	AA		DCR		---								