

Product Compliance

[For compliance documentation, visit the product page on TE.com>](#)

EU RoHS Directive 2011/65/EU	Compliant
EU ELV Directive 2000/53/EC	Compliant
China RoHS 2 Directive MIIT Order No 32, 2016	有害物质含量符合标准要求 No Restricted Substance(s) Above Threshold
EU REACH Regulation (EC) No. 1907/2006	Current ECHA Candidate List: JUNE 2025 (250) Candidate List Declared Against: JUNE 2025 (250) Does not contain REACH SVHC
Halogen Content	Not Low Halogen - contains Br or Cl > 900 ppm.
Solder Process Capability	Wave solder capable to 240°C

Product Compliance Disclaimer

This information is provided based on reasonable inquiry of our suppliers and represents our current actual knowledge based on the information they provided. This information is subject to change. The part numbers that TE has identified as EU RoHS compliant have a maximum concentration of 0.1% by weight in homogenous materials for lead, hexavalent chromium, mercury, PBB, PBDE, DBP, BBP, DEHP, DIBP, and 0.01% for cadmium, or qualify for an exemption to these limits as defined in the Annexes of Directive 2011/65/EU (RoHS2). Finished electrical and electronic equipment products will be CE marked as required by Directive 2011/65/EU. Components may not be CE marked. Additionally, the part numbers that TE has identified as EU ELV compliant have a maximum concentration of 0.1% by weight in homogenous materials for lead, hexavalent chromium, and mercury, and 0.01% for cadmium, or qualify for an exemption to these limits as defined in the Annexes of Directive 2000/53/EC (ELV). Regarding the REACH Regulation, the information TE provides on SVHC in articles for this part number is based on the latest European Chemicals Agency (ECHA) 'Guidance on requirements for substances in articles' posted at this URL: <https://echa.europa.eu/guidance-documents/guidance-on-reach>

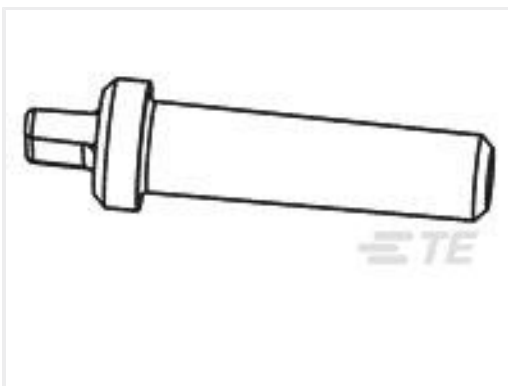
Compatible Parts

TE Part # 1-1447223-1
0860064=CAP HSG 18P GRAY

Customers Also Bought



TE Part #CAT-EC7491-CH8172
ECONOSEAL, CONNECTOR
HOUSING



TE Part #776364-1
SEALING PLUG, SZ 20 CAVITY



TE Part #2-1437285-3
34POS,SUPERSEAL,REC HSG ASSY,
SLD,COD 1



TE Part #1717934-1
CAP ASSY,12P,BRACKET REVERSE
TYPE,ATAC C



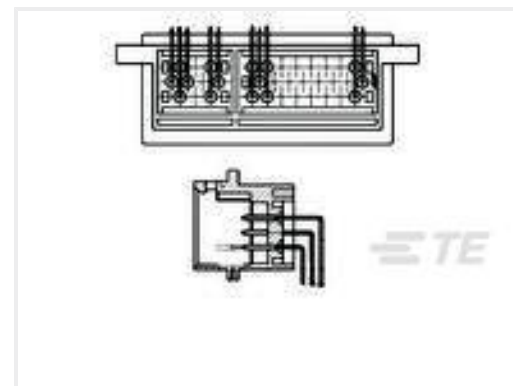
TE Part #1718328-1
FIXING SLIDE



TE Part #2236721-1
ADAPTER, FOR TAB HOUSING, ASSY



TE Part #CAT-SU763-H342
SUPERSEAL 1.0 Connector Headers



TE Part #6447233-9
ECU 34POS CAP ASSY H TIN

Documents

Product Drawings

CAD Files

Customer View Model

[ENG_CVM_CVM_5-6437288-5_B.2d_dxf.zip](#)

English

3D PDF

3D

Customer View Model

[ENG_CVM_CVM_5-6437288-5_B.3d_igs.zip](#)

English

Customer View Model

[ENG_CVM_CVM_5-6437288-5_B.3d_stp.zip](#)

English

By downloading the CAD file I accept and agree to the [Terms and Conditions](#) of use.

Product Specifications

WATER-SEALED ECU CONNECTOR



English

WATER-SEALED ECU CONNECTOR

Japanese

Product Specification

English