

5535651-6 ✓ ACTIVE

## RAYCHEM STSS

TE Internal #: 5535651-6

Fully Shrouded, Cable-to-Board, 68 Position, 1.27 mm [.05 in]

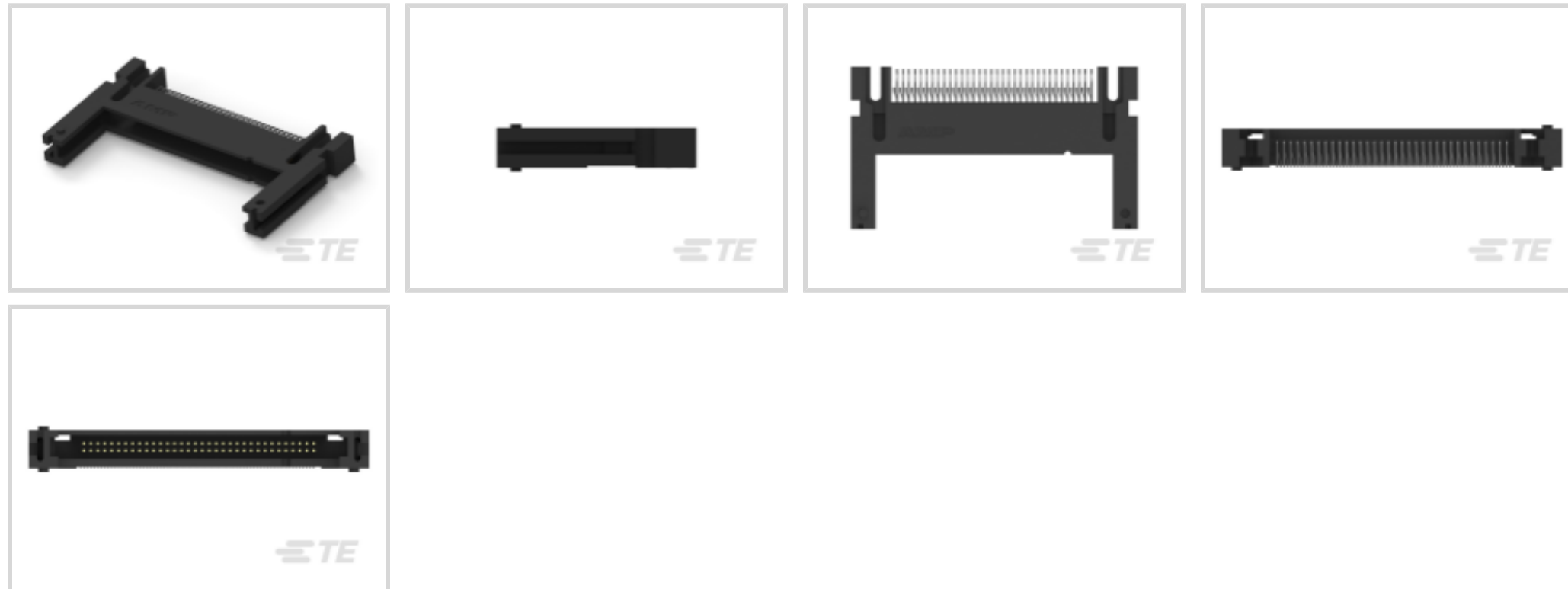
Centerline, 2 Row, 1 Card Slots, Surface Mount, RAYCHEM STSS,

PCMCIA Connectors

[View on TE.com >](#)



Connectors > PCB Connectors > Memory Card Connectors > PCMCIA Connectors



Header Type: **Fully Shrouded**

Connector System: **Cable-to-Board**

Number of Positions: **68**

Centerline (Pitch): **1.27 mm [.05 in]**

Number of Rows: **2**

### Features

#### Product Type Features

Connector & Contact Terminates To	Printed Circuit Board
Header Type	Fully Shrouded
Connector System	Cable-to-Board

#### Configuration Features

Number of Positions	68
Number of Rows	2
Number of Card Slots	1
PCB Mount Orientation	Right Angle

#### Electrical Characteristics

Voltage Rating	3.3 VAC
----------------	---------

#### Body Features

Primary Product Color	Black
Connector Profile	Standard



### Contact Features

Contact Underplating Material	Nickel
Contact Layout	Staggered
Contact Mating Area Plating Material	Gold (Au)
Contact Base Material	Brass
PCB Contact Termination Area Plating Material	Tin
Contact Type	Pin
Contact Mating Area Plating Material Thickness	.762 $\mu\text{m}$ [30 $\mu\text{in}$ ]
Contact Current Rating (Max)	.1 A

### Termination Features

Termination Method to PCB	Surface Mount
---------------------------	---------------

### Mechanical Attachment

Connector Mounting Type	Board Mount
-------------------------	-------------

### Housing Features

Housing Material	LCP
Centerline (Pitch)	1.27 mm[.05 in]

### Dimensions

Profile Height from PCB	6.98 mm
-------------------------	---------

### Usage Conditions

Operating Temperature Range	-20 – 70 $^{\circ}\text{C}$ [-4 – 158 $^{\circ}\text{F}$ ]
-----------------------------	--

### Operation/Application

Shielded	No
Circuit Application	Signal

### Industry Standards

UL Flammability Rating	UL 94V-0
------------------------	----------

### Packaging Features

Packaging Method	Box & Tray, Tray
Packaging Quantity	20

### Product Compliance

[For compliance documentation, visit the product page on TE.com>](#)



EU RoHS Directive 2011/65/EU	Compliant
EU ELV Directive 2000/53/EC	Compliant
China RoHS 2 Directive MIIT Order No 32, 2016	No Restricted Materials Above Threshold
EU REACH Regulation (EC) No. 1907/2006	Current ECHA Candidate List: JAN 2025 (247) Candidate List Declared Against: JAN 2025 (247) Does not contain REACH SVHC
Halogen Content	Low Halogen - Br, Cl, F, I < 900 ppm per homogenous material. Also BFR/CFR/PVC Free
Solder Process Capability	Reflow solder capable to 260°C

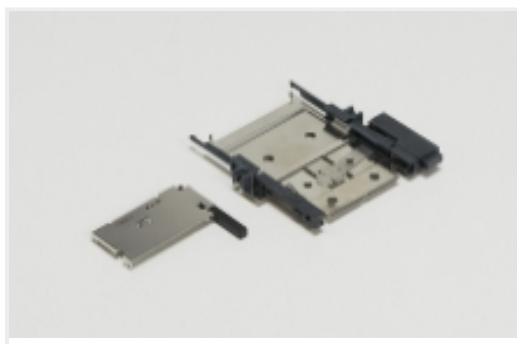
Product Compliance Disclaimer

This information is provided based on reasonable inquiry of our suppliers and represents our current actual knowledge based on the information they provided. This information is subject to change. The part numbers that TE has identified as EU RoHS compliant have a maximum concentration of 0.1% by weight in homogenous materials for lead, hexavalent chromium, mercury, PBB, PBDE, DBP, BBP, DEHP, DIBP, and 0.01% for cadmium, or qualify for an exemption to these limits as defined in the Annexes of Directive 2011/65/EU (RoHS2). Finished electrical and electronic equipment products will be CE marked as required by Directive 2011/65/EU. Components may not be CE marked. Additionally, the part numbers that TE has identified as EU ELV compliant have a maximum concentration of 0.1% by weight in homogenous materials for lead, hexavalent chromium, and mercury, and 0.01% for cadmium, or qualify for an exemption to these limits as defined in the Annexes of Directive 2000/53/EC (ELV). Regarding the REACH Regulation, the information TE provides on SVHC in articles for this part number is based on the latest European Chemicals Agency (ECHA) 'Guidance on requirements for substances in articles' posted at this URL: <https://echa.europa.eu/guidance-documents/guidance-on-reach>

### Compatible Parts



Also in the Series | **RAYCHEM STSS**



Card Ejectors(2)

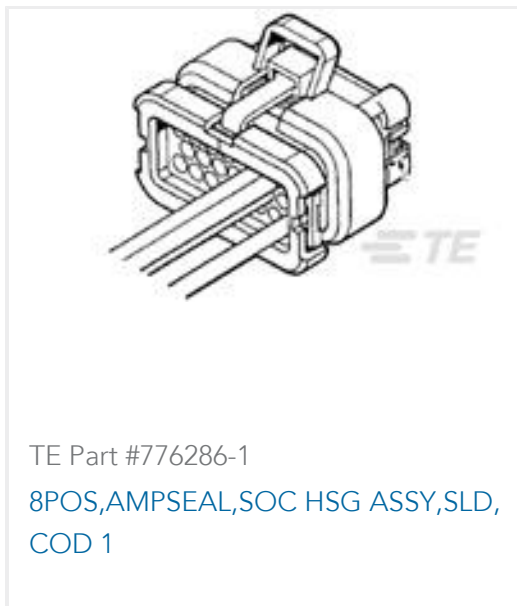


PCMCIA Connectors(1)



USB Cable Assemblies(1)

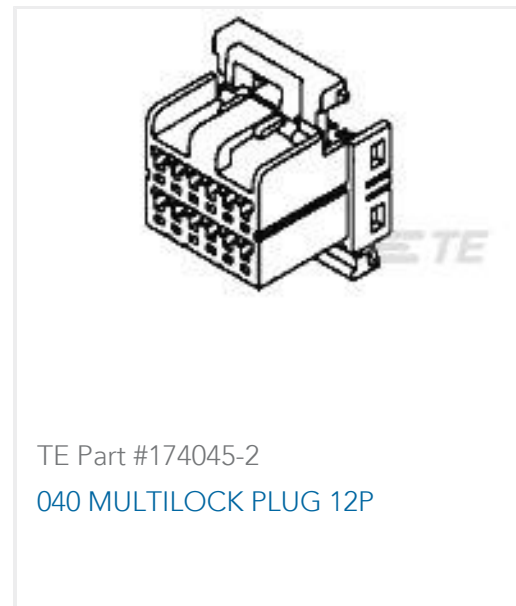
## Customers Also Bought



TE Part #776286-1  
8POS,AMPSEAL,SOC HSG ASSY,SLD,  
COD 1



TE Part #1487596-1  
USB, A-B, 28/24, BLACK, 2.0M



TE Part #174045-2  
040 MULTILOCK PLUG 12P

## Documents

### Product Drawings

#### 68 MEMCD HDR STD SMT TOP LV, N

English

### CAD Files

#### 3D PDF

English

#### Customer View Model

[ENG\\_CVM\\_5535651-6\\_O.2d\\_dxf.zip](#)

English

#### Customer View Model

[ENG\\_CVM\\_5535651-6\\_O.3d\\_igs.zip](#)

English

#### Customer View Model

[ENG\\_CVM\\_5535651-6\\_O.3d\\_stp.zip](#)

English

By downloading the CAD file I accept and agree to the [Terms and Conditions](#) of use.

### Product Specifications

#### Application Specification

English