

531216-4 ✓ ACTIVE

AMPMODU

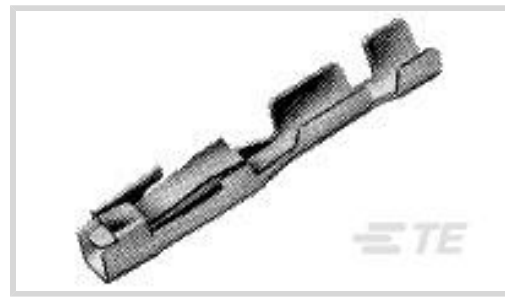
TE Internal #: 531216-4

Socket Contact, 26 – 22 AWG, .12 – .4 mm² Wire, Tin (Sn), Power & Signal, -40 – 85 °C / -65 – 105 °C [-40 – 185 °F / -85 – 221 °F]

[View on TE.com >](#)



Connectors > Contacts > Connector Contacts



Contact Type: **Socket**

Contact Mating Area Plating Material: **Tin (Sn)**

Wire Size: **.12 – .4 mm²**

Product Terminates To: **Wire & Cable**

Features

Contact Features

PCB Contact Termination Area Plating Material Thickness	1.27 µm[50 µin]
PCB Contact Termination Area Plating Material	Tin-Lead
Contact Type	Socket
Contact Mating Area Plating Material	Tin (Sn)
Contact Current Rating (Max)	3 A
	50 µin
Contact Orientation	Straight

Termination Features

Product Terminates To	Wire & Cable
-----------------------	--------------

Mechanical Attachment

PCB Mount Retention	Without
Wire Insulation Support	With

Dimensions

Wire Size	.12 – .4 mm ²
-----------	--------------------------

Usage Conditions

Operating Temperature Range	-65 – 105 °C, -40 – 85 °C[-85 – 221 °F][-40 – 185 °F]
-----------------------------	---

Operation/Application

Circuit Application	Power & Signal
---------------------	----------------



Packaging Features

Packaging Quantity	500
--------------------	-----

Product Compliance

[For compliance documentation, visit the product page on TE.com>](#)

EU RoHS Directive 2011/65/EU	Not Compliant
EU ELV Directive 2000/53/EC	Not Compliant
China RoHS 2 Directive MIIT Order No 32, 2016	Restricted Materials Above Threshold
EU REACH Regulation (EC) No. 1907/2006	Current ECHA Candidate List: JAN 2025 (247) Candidate List Declared Against: JUNE 2022 (224) Does not contain REACH SVHC
Halogen Content	Low Halogen - Br, Cl, F, I < 900 ppm per homogenous material. Also BFR/CFR/PVC Free
Solder Process Capability	Not applicable for solder process capability

Product Compliance Disclaimer

This information is provided based on reasonable inquiry of our suppliers and represents our current actual knowledge based on the information they provided. This information is subject to change. The part numbers that TE has identified as EU RoHS compliant have a maximum concentration of 0.1% by weight in homogenous materials for lead, hexavalent chromium, mercury, PBB, PBDE, DBP, BBP, DEHP, DIBP, and 0.01% for cadmium, or qualify for an exemption to these limits as defined in the Annexes of Directive 2011/65/EU (RoHS2). Finished electrical and electronic equipment products will be CE marked as required by Directive 2011/65/EU. Components may not be CE marked. Additionally, the part numbers that TE has identified as EU ELV compliant have a maximum concentration of 0.1% by weight in homogenous materials for lead, hexavalent chromium, and mercury, and 0.01% for cadmium, or qualify for an exemption to these limits as defined in the Annexes of Directive 2000/53/EC (ELV). Regarding the REACH Regulation, the information TE provides on SVHC in articles for this part number is based on the latest European Chemicals Agency (ECHA) 'Guidance on requirements for substances in articles' posted at this URL: <https://echa.europa.eu/guidance-documents/guidance-on-reach>

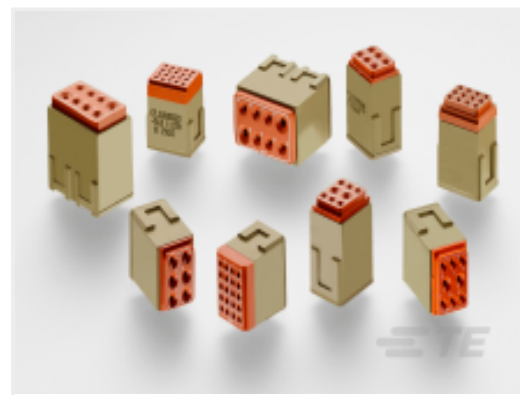
Compatible Parts



Customers Also Bought



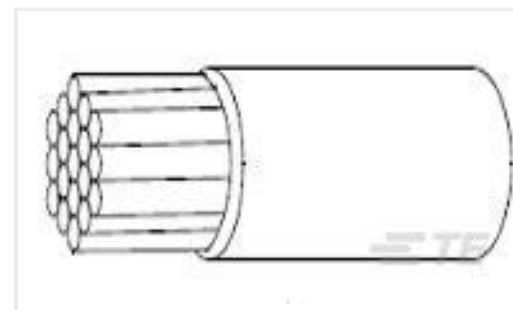
TE Part #CJ8361-000
S200-3-W2-22-9



TE Part #CTJ122E04F-513
MODULE ASSY



TE Part #073170-000
SO63-1-00



TE Part #216375-002
22759/32-22-2



TE Part #YDTS32T13NV0010000
CAP ASSEMBLY



TE Part #644807-000
55A1121-22-9/96-9CS2275



TE Part #2-36161-2
TERM, PIDG, R, 12-10, #10, T&R



TE Part #61314-6
CMNL SOK S/F 24-18 .0125AUPHBZ



TE Part #208264-2
SKT CONTACT SZ 22



TE Part #9-1437627-3
G15=GUARD BRASS CHROME
PLATED

Documents

Product Drawings

T/SPRING LP

English

CAD Files

3D PDF

3D

Customer View Model

[ENG_CVM_CVM_531216-4_T.2d_dxf.zip](#)

English

Customer View Model

[ENG_CVM_CVM_531216-4_T.3d_igs.zip](#)

English

Customer View Model

[ENG_CVM_CVM_531216-4_T.3d_stp.zip](#)

English

By downloading the CAD file I accept and agree to the [Terms and Conditions](#) of use.

Product Specifications



[Application Specification](#)

English

[Application Specification](#)

English

[Instruction Sheets](#)

[Instruction Sheet \(U.S.\)](#)

English