



Small, lightweight, environmentally sealed 60-amp contactor providing fast and reliable switching



Description

The new FC-360 and FCC-360 Series from TE Connectivity (TE) offers significant size, weight and performance advantages over similar 60 Amp devices in the Mil/Aero market.

It is built in a 3 SPST normally open contact configuration, with optional 2 SPDT auxiliary contacts. It is rated at 60 amps for both 28 VDC and 115 VAC 400 HZ switching.

The double make contact design helps reduce wear and tear on the contacts over time. When coupled with our efficient coil economizer, this contactor provides an excellent choice for aerospace, defense and marine power applications.

SMALL ENVELOPE

- 2.5" x 2.1" footprint

LIGHTWEIGHT

- 8.5 oz max weight

DURABLE

- Double make contact design for less wear and tear on contact
- Designed to performance requirements in MIL-PRF-6106

FAST SWITCHING

- Utilizes economized coil
- 15 milliseconds operating time

QUICK RELIABLE INSTALLATIONS

- Utilizes rugged threaded terminals, socket terminals, or bus bar mounting

APPLICATIONS/ MARKETS SERVED

- Military Aircraft
- Unmanned Aerial Vehicle (UAV)
- Commercial Aerospace
- Military Ground
- Shipboard

ELECTRICAL/ENVIRONMENTAL

- **Coil Current:** 28VDC economized coil 5A max inrush: 100ms duration: 300 mA holding current (operating temperature)
- **Contact Rating:** 60A; with 10X rupture current
- **Aux Contact Rating:** 2 SPDT 2A
- **Rated Operating Voltage:** 28 VDC, 115 VAC 400 HZ
- **Pickup:** 18 VDC (@ operating temperature)
- **Dropout:** 1-9 VDC (@ operating temperature)
- **Contact Bounce:** 2 ms on main contacts
- **Operating Time @ 28 VDC:** 15 ms on both pickup and dropout
- **Electrical Life:** Resistive: 50K min and Inductive: 30K min
- **Operating Temperature:** -55°C to +85°C temperature to 50,000 feet altitude
- **Overload:** 480 A 50 cycles
- **Rupture:** 600 A 10 cycles

ENVIRONMENTAL

- **Construction:** Gasket sealed

MECHANICAL

- **Minimum Mechanical Life:** 100,000 cycles @ 25% rated resistive load

MATERIALS

- **Housing:** Lightweight resinous housing

STANDARDS AND TEST REPORTS

- Designed to the performance standards of MIL-PRF-6106

CONNECT WITH US

We make it easy to connect with our experts and are ready to provide all the support you need. Visit te.com/support to chat with a Product Information Specialist.

QUALITY STARTS WITH THE RIGHT APPLICATION TOOLING

Creating a quality crimp connection is essential to delivering high performance and reliability in extreme environments. From low to high volume wire processing, TE has you covered with a full range of application tooling and a global field service team.

- [View all application tooling](#)
- [Connect with our experts to find the right tool for your application](#)

te.com/fcc360

AMP, AGASTAT, CII, DEUTSCH, DRI, HARTMAN, KILOVAC, MICRODOT, NANONICS, POLAMCO, Raychem, SEACON, TE, TE Connectivity, and TE connectivity (logo) are trademarks owned or licensed by TE Connectivity. All other logos, products and/or company names referred to herein might be trademarks of their respective owners.

The information given herein, including drawings, illustrations and schematics which are intended for illustration purposes only, is believed to be reliable. However, TE Connectivity makes no warranties as to its accuracy or completeness and disclaims any liability in connection with its use. TE Connectivity's obligations shall only be as set forth in TE Connectivity's Standard Terms and Conditions of Sale for this product and in no case will TE Connectivity be liable for any incidental, indirect or consequential damages arising out of the sale, resale, use or misuse of the product. Users of TE Connectivity products should make their own evaluation to determine the suitability of each such product for the specific application.

© 2024 TE Connectivity All Rights Reserved.

2351482-1 03/24

CII FC-360 AND FCC-360 SERIES CONTACTOR

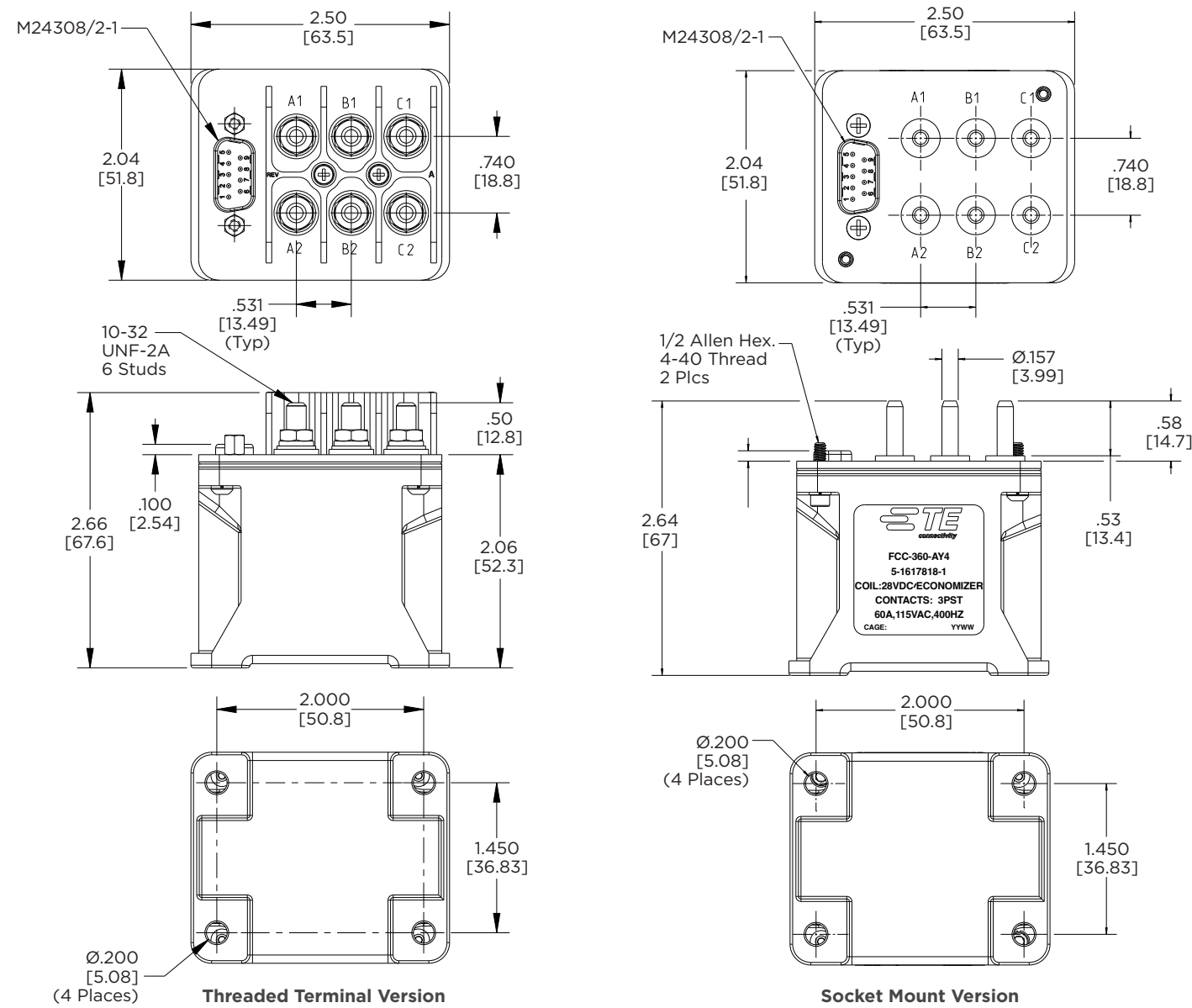
TE Connectivity
Aerospace, Defense & Marine
2900 Fulling Mill Road
Middletown, PA 17057



CII FC-360 AND FCC-360 SERIES CONTACTOR

SMALL, LIGHTWEIGHT, ENVIRONMENTALLY SEALED 60-AMP CONTACTOR, WITH A DOUBLE MAKE CONTACT DESIGN, PROVIDING FAST AND RELIABLE SWITCHING

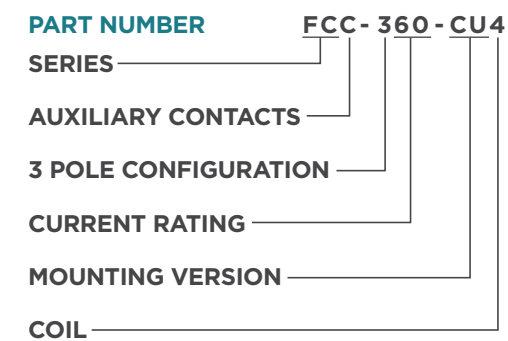
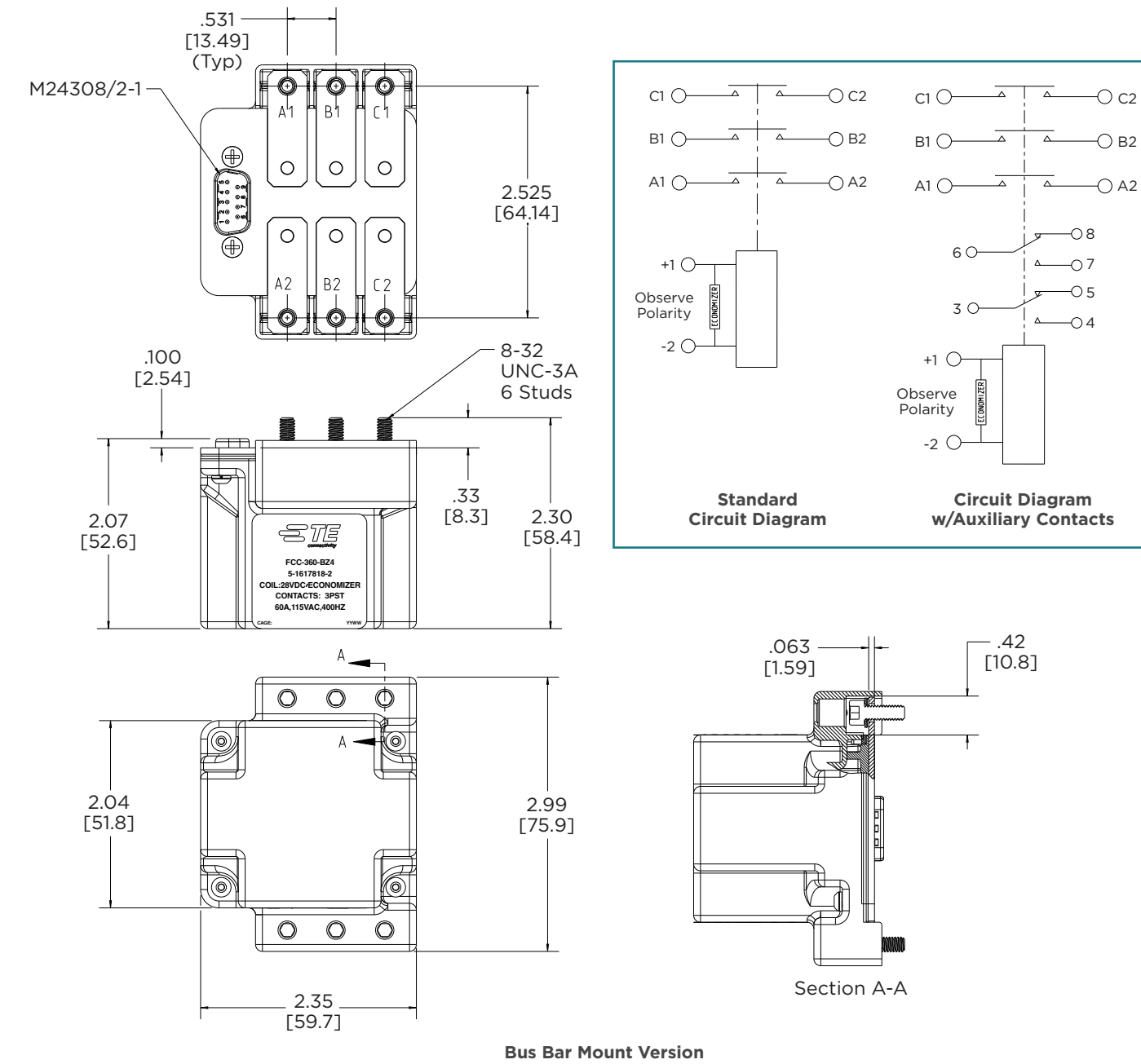
CII FC-360 and FCC-360 Series Contactor



PRODUCT INFORMATION

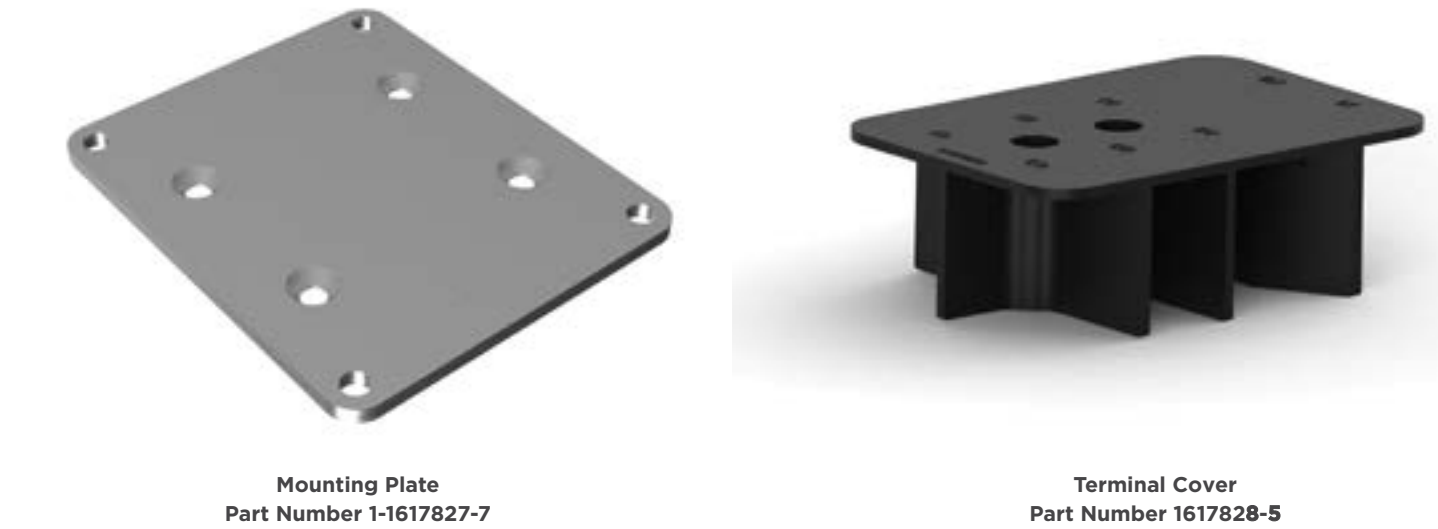
Part Number	Configuration	Contact Rating	Coil Rating	Aux Configuration	Aux Contact Rating	Mounting Style
FC-360-AY4	3 SPST - NO (DM)	60 Amp Resistive	28 Vdc	N/A	N/A	Socket Mount
FC-360-BZ4	3 SPST - NO (DM)	60 Amp Resistive	28 Vdc	N/A	N/A	Bus Bar Mount
FC-360-CU4	3 SPST - NO (DM)	60 Amp Resistive	28 Vdc	N/A	N/A	Threaded Terminals
FC-360-AY8	3 SPST - NO (DM)	60 Amp Resistive	115 Vac, 400 Hz	N/A	N/A	Socket Mount
FC-360-BZ8	3 SPST - NO (DM)	60 Amp Resistive	115 Vac, 400 Hz	N/A	N/A	Bus Bar Mount
FC-360-CU8	3 SPST - NO (DM)	60 Amp Resistive	115 Vac, 400 Hz	N/A	N/A	Threaded Terminals
FCC-360-AY4	3 SPST - NO (DM)	60 Amp Resistive	28 Vdc	2 SPDT	2 Amp, 28 Vdc	Socket Mount
FCC-360-BZ4	3 SPST - NO (DM)	60 Amp Resistive	28 Vdc	2 SPDT	2 Amp, 28 Vdc	Bus Bar Mount
FCC-360-CU4	3 SPST - NO (DM)	60 Amp Resistive	28 Vdc	2 SPDT	2 Amp, 28 Vdc	Threaded Terminals
FCC-360-AY8	3 SPST - NO (DM)	60 Amp Resistive	115 Vac, 400 Hz	2 SPDT	2 Amp, 28 Vdc	Socket Mount
FCC-360-BZ8	3 SPST - NO (DM)	60 Amp Resistive	115 Vac, 400 Hz	2 SPDT	2 Amp, 28 Vdc	Bus Bar Mount
FCC-360-CU8	3 SPST - NO (DM)	60 Amp Resistive	115 Vac, 400 Hz	2 SPDT	2 Amp, 28 Vdc	Threaded Terminals

CII FC-360 and FCC-360 Series Contactor



CII FC-360 and FCC-360 Series Contactor

Accessories Sold Separately



Note: Due to the small footprint of the FC-360/FCC-360 Series, an optional mounting plate is available which allows for drop in replacement to some 60 Amp competitive products. Please consult factory for more details.