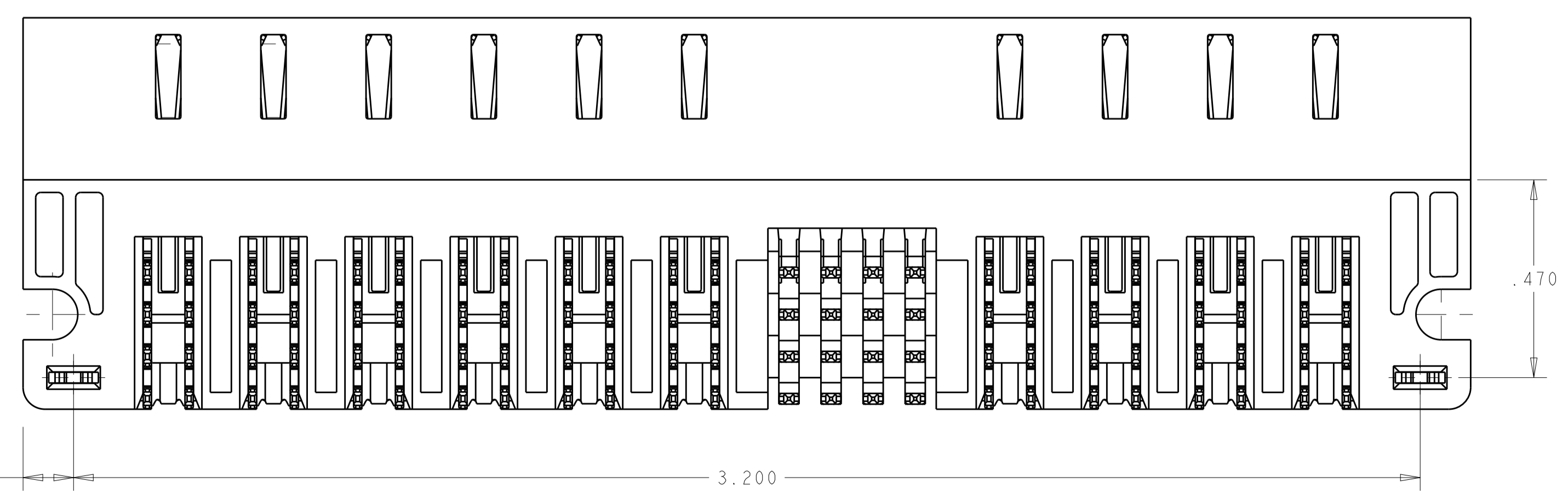
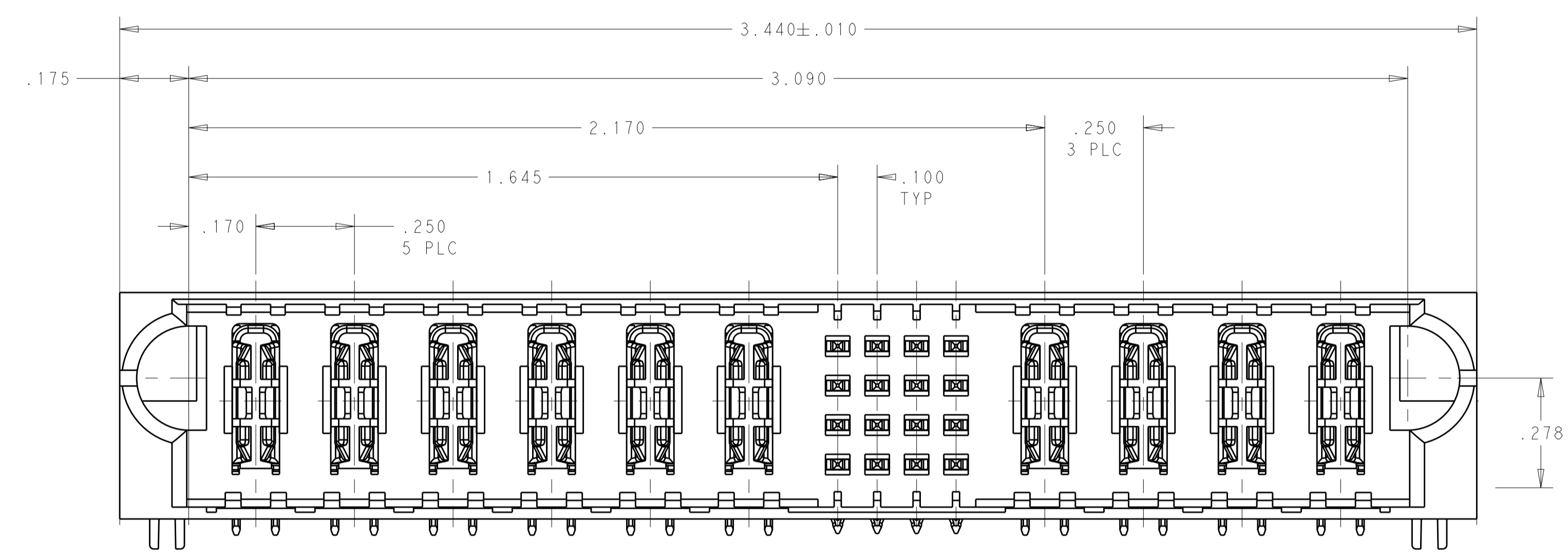
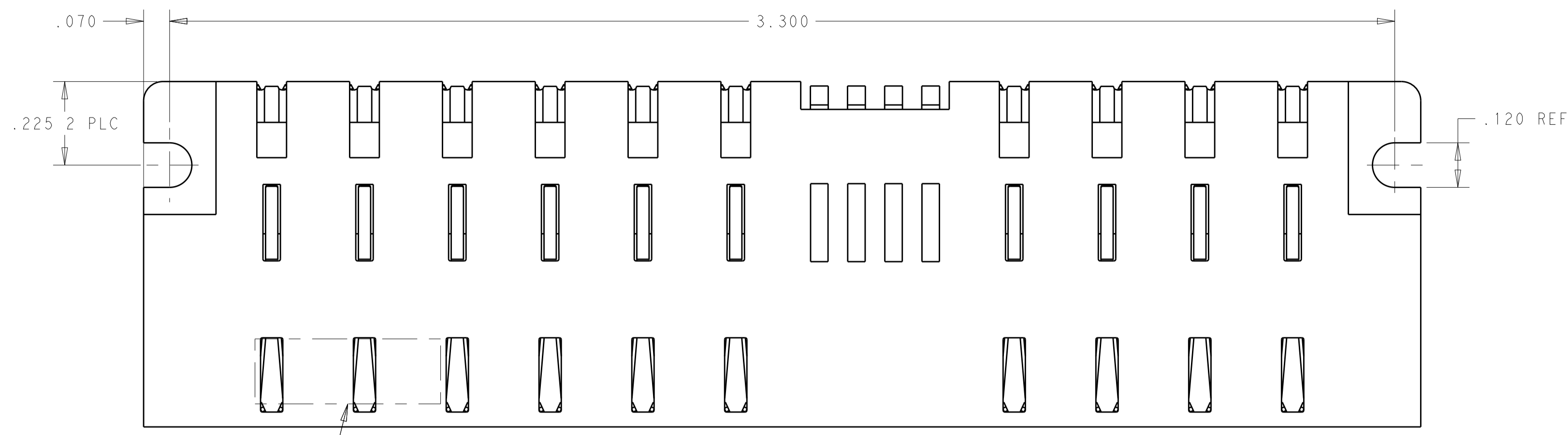
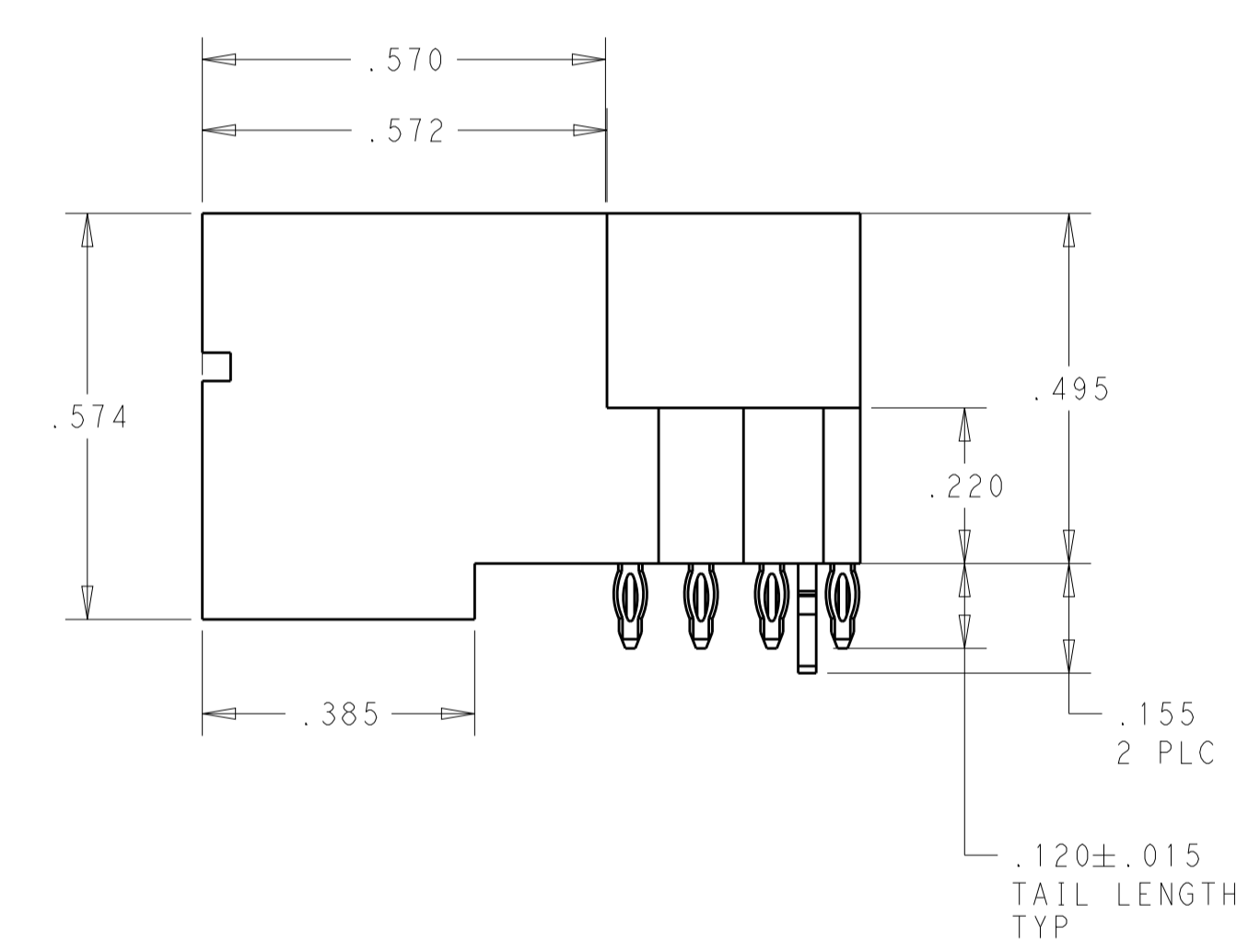


REVISIONS				
P.	LTN	DESCRIPTION	DATE	APVD
1		PROPOSED DESIGN	07NOV2016	CZ SZ



- 1 "AMP", PART NUMBER, AND DATECODE TO BE MARKED IN AREA SHOWN. PARTS UNDER 2.00 LONG MAY BE MARKED ON BOTH SIDES.
- 2 MATERIAL:
HOUSING - GLASS FILLED HIGH TEMP THERMO PLASTIC, BLACK, UL94 V-0
SIGNAL CONTACT - COPPER ALLOY
POWER CONTACT - HIGH CONDUCTIVITY COPPER ALLOY
- 3 CONTACT PLATING: NOBLE METAL PLATING ON CONTACT FUNCTIONAL AREA OF POWER AND SIGNAL CONTACTS.
- 4 MECHANICAL CONNECTOR KEEP OUT ZONE.
- 5 DATUM AND BASIC DIMENSIONS ESTABLISHED BY CUSTOMER.
- 6 PCB - HOLE DIAMETERS ARE FINISHED HOLE SIZE.
- 7 PCB - .0453 ± .0010 DRILLED HOLES PLATED WITH .0003 MIN Sn OVER .001 TO .003 Cu PLATING TO ACHIEVE A .040 ± .003 HOLE.



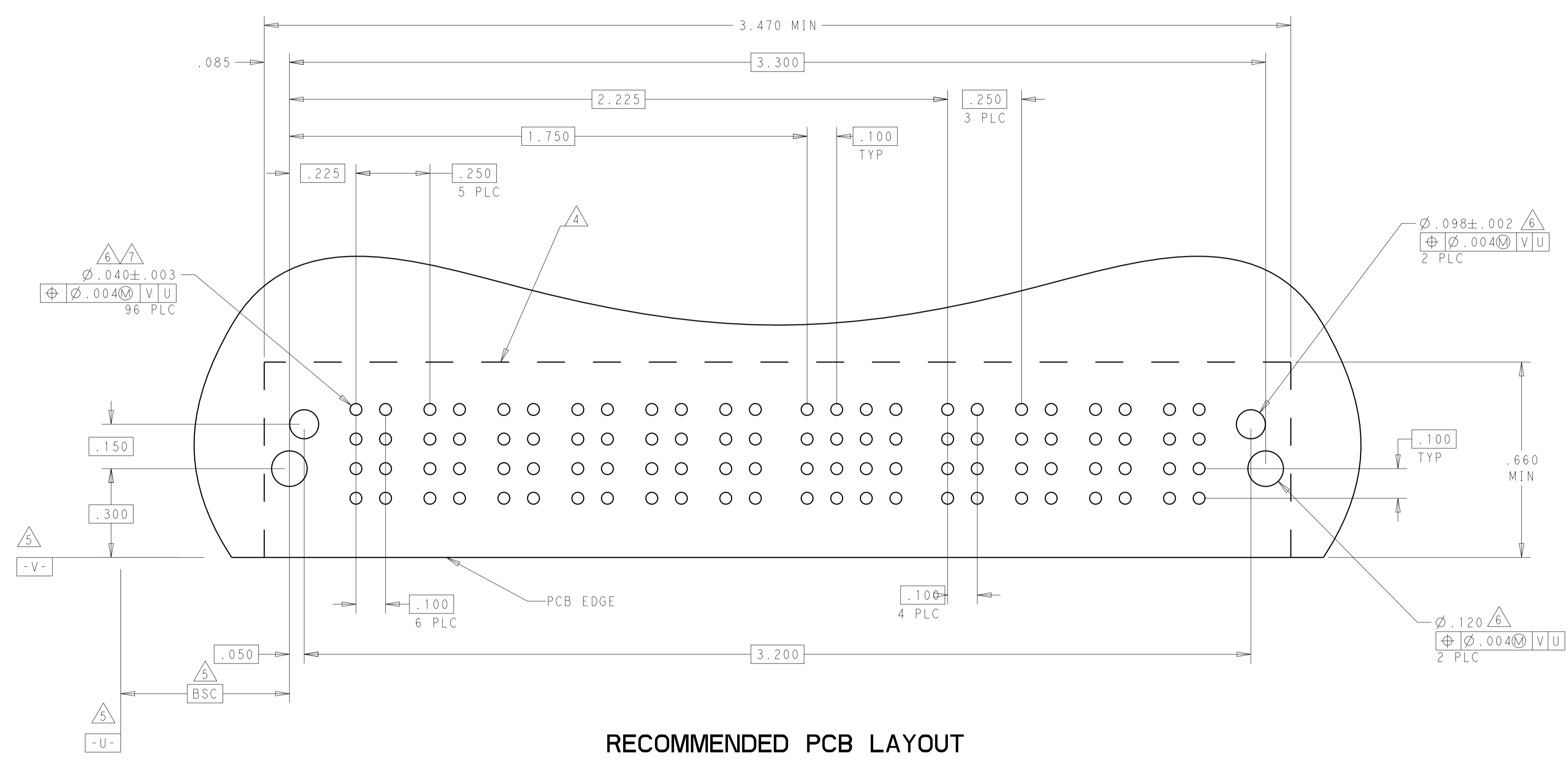
PROPOSAL ONLY

THIS DRAWING IS A CONTROLLED DOCUMENT.		DWN: C. ZHOU 07NOV2016	6P+16S+4P		5-6450840-1
DIMENSIONS: INCHES		CHK: C. ZHOU 07NOV2016	DESCRIPTION		PART NUMBER
TOLERANCES UNLESS OTHERWISE SPECIFIED:		APVD: S. ZHAO 07NOV2016	NAME		TE Connectivity
0 PLC ± .005		PRODUCT SPEC	RIGHT ANGLE HEADER, PRESS FIT		
2 PLC ± .005		APPLICATION SPEC	MULTI-BEAM XLE		
4 PLC ± .0020		FINISH	SIZE CAGE CODE DRAWING NO		RESTRICTED TO
ANGLES ± .0020		WEIGHT	A100779C=5-6450840-1		
MATERIAL		CUSTOMER DRAWING	SCALE 4:1		SHEET 1 OF 2
			REV 1		

REVISIONS				
P.	LTN	DESCRIPTION	DATE	APVD
-	-	SEE SHEET 1	-	-

PART NUMBER	ROWS	POWER						SIGNAL				POWER			
		P1	P2	P3	P4	P5	P6	1	2	3	4	P7	P8	P9	P10
5-6450840-1	D							Z5	Z5	Z5	Z5				
	C							Y5	Y5	Y5	Y5				
	B							R5	R5	R5	R5	TT	TT	TT	TT
	A	HD						O1	O1	O1	O1				HD

6P+16S+4P



RECOMMENDED PCB LAYOUT

STD PRESS FIT SIGNAL CONTACT, .120 TAIL LENGTH, ROW D	Z5
STD PRESS FIT SIGNAL CONTACT, .120 TAIL LENGTH, ROW C	Y5
STD PRESS FIT SIGNAL CONTACT, .120 TAIL LENGTH, ROW B	R5
STD PRESS FIT POWER CONTACT, .120 TAIL LENGTH	TT
MLBF PRESS FIT SIGNAL CONTACT, .120 TAIL LENGTH, ROW A	O1
HOLD DOWN, MULTI-BEAM	HD

THIS DRAWING IS A CONTROLLED DOCUMENT.		DESCRIPTION		IDENTIFIER		
DWN	C. ZHOU	07NOV2016	TE Connectivity NAME: RIGHT ANGLE HEADER, PRESS FIT MULTI-BEAM XLE PRODUCT SPEC: 108-2292 APPLICATION SPEC: 114-13251 WEIGHT: - MATERIAL: -		RESTRICTED TO	
CHK	C. ZHOU	07NOV2016			SIZE	CAGE CODE
APVD	S. ZHAO	07NOV2016			114-13251	5-6450840-1
DIMENSIONS: INCHES					SCALE	SHEET
DIMENSIONS: INCHES TOLERANCES UNLESS OTHERWISE SPECIFIED: 0 PLC ±. 1 PLC ±. 2 PLC ±. 3 PLC ±.005 4 PLC ±.0020 ANGLES ±.0°			4:1	2 OF 2		
MATERIAL: -			CUSTOMER DRAWING		REV 1	