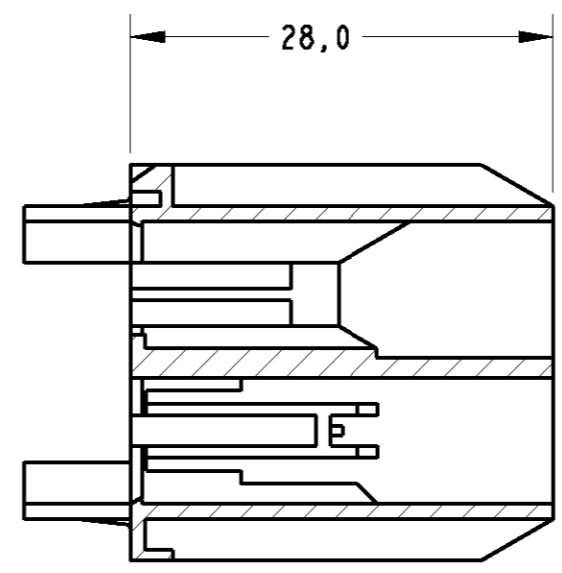
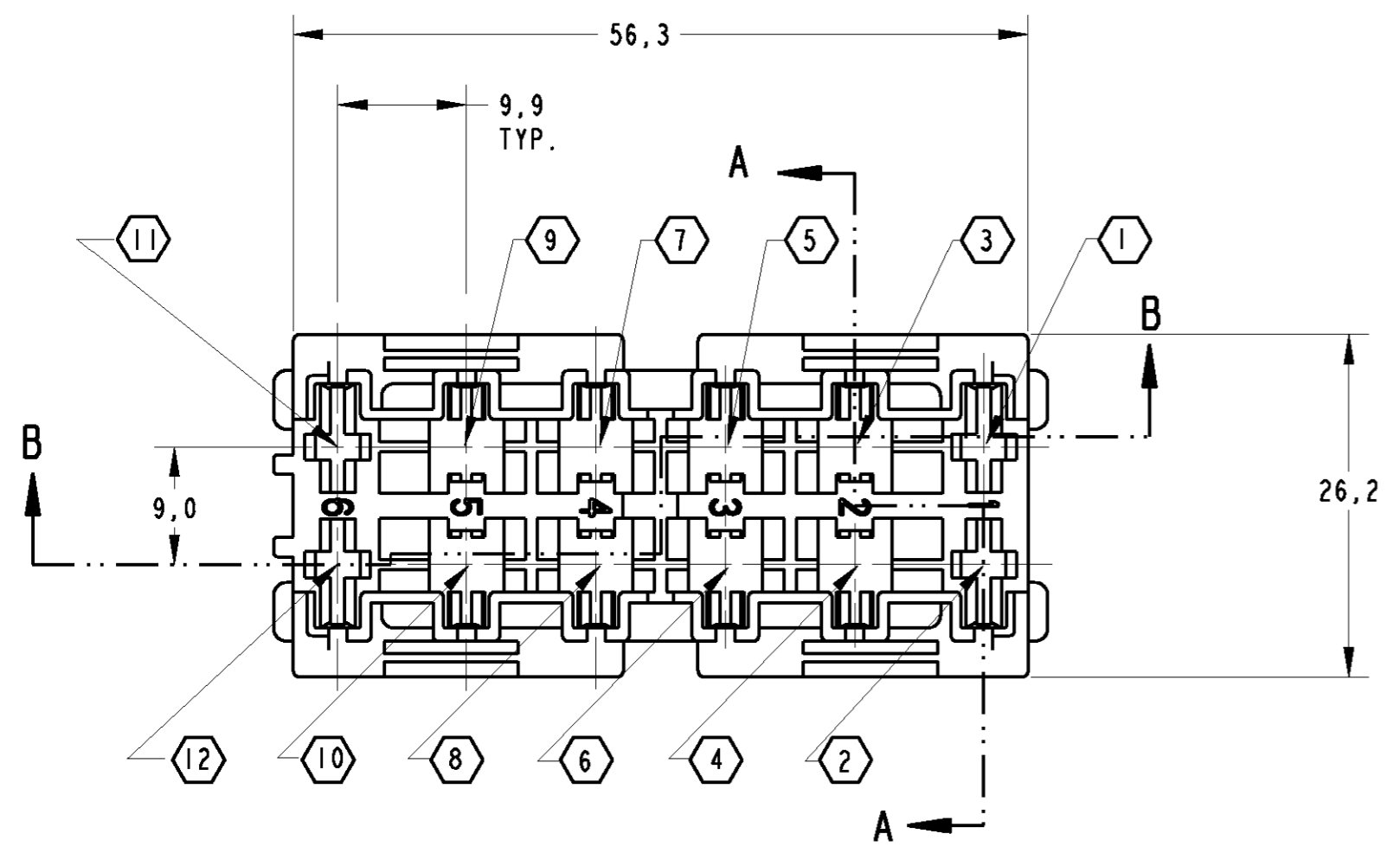


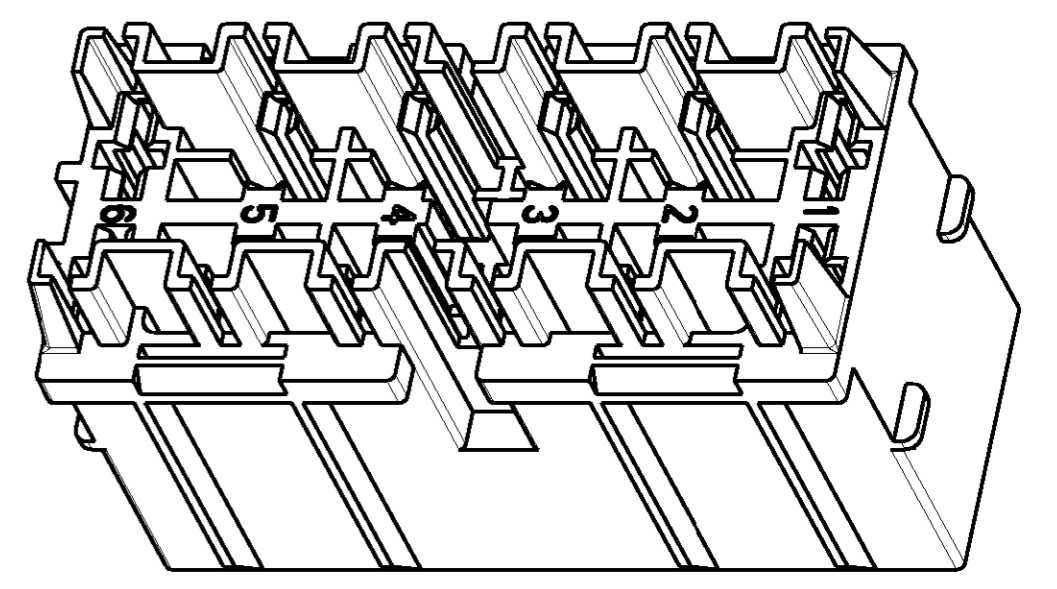
THIS DRAWING IS UNPUBLISHED. RELEASED FOR PUBLICATION
 BY AMP INCORPORATED. ALL RIGHTS RESERVED.

LOC	DIST	REVISIONS			
P	LTR	DESCRIPTION	DATE	DWN	APVD
0		WAS 97-29445-001	05NOV98	MRB	PLF
A		REVISED BY	EC-063/99	06JUL00	MRB PLF

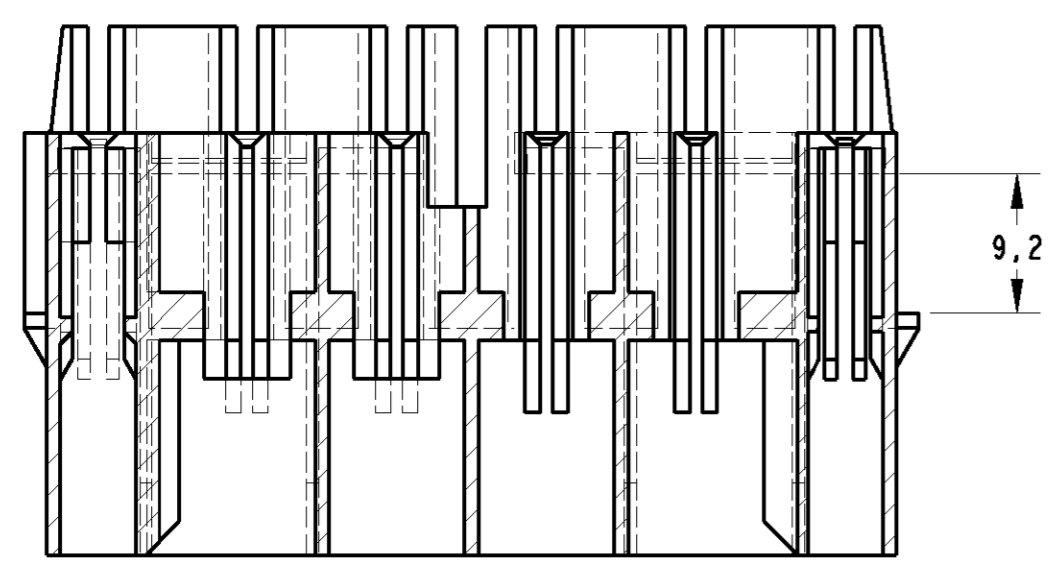
CAD
 DO NOT REVISE
 EXCEPT BY CAD



SECTION A-A



PERSPECTIVE VIEW



SECTION B-B

- | | |
|---|---|
| <p>1 -SIMBOLO INDICA NÚMERO DO CIRCUITO.</p> <p>2 -CIRCUITO 3, 4, 5, 6, 7, 8, 9 E 10 PARA TERMINAIS "FUSE CONTACT": 880397; 880398; 880399 OU SIMILAR. CIRCUITO 3, 5, 7 E 9 PODEM SER USADOS TAMBEM PARA "FUSE CONTACT BUS BAR PASSO 9,9mm." CIRCUITO 1, 2, 11 E 12 PARA TERMINAIS STANDARD POWER TIMER 927829, 927831, 927837, 927840 OU SIMILAR.</p> <p>3 -USADO EM; "FUSE BOX FRAME 444308, 444442.</p> <p>4 -CONECTOR PARA 6 FUSIVEIS ETA, SERIE 1170.</p> | <p>1 -SYMBOL INDICATES CIRCUIT NUMBER.</p> <p>2 -CIRCUIT 3, 4, 5, 6, 7, 8, 9 AND 10 FOR "FUSE CONTACT" TERMINAL: 880397; 880398; 880399 OR SIMILAR. CIRCUIT 3, 5, 7 AND 9 COULD ALSO BE USED FOR FUSE CONTACT BUS BAR PITCH 9,9mm. CIRCUIT 1, 2, 11 AND 12 FOR STANDARD POWER TIMER TERMINAL 927829, 927831, 927837, 927840 OR SIMILAR.</p> <p>3 -USED ON; "FUSE BOX FRAME" 444308, 444442.</p> <p>4 -CONNECTOR FOR 6 CIRCUIT BREAKER ETA, SERIE 1170.</p> |
|---|---|

PRETO BLACK	PA 6.6 15% G.F.	493688 - I
FINISH	MATERIAL	PART NUMBER

THIS DRAWING IS A CONTROLLED DOCUMENT FOR AMP INCORPORATED. IT IS SUBJECT TO CHANGE AND THE CONTROLLING ENGINEERING ORGANIZATION SHOULD BE CONTACTED FOR THE LATEST REVISION.		DWN: M.R. BRIZ 22MAR00 CHK: P.L. FARIA 05NOV98 APVD: H.B. VASCONCELOS 05NOV98	NAME: AMP do Brasil LTDA. São Paulo, Brasil
DIMENSIONS: mm 	TOLERANCES UNLESS OTHERWISE SPECIFIED: 0 PLC ± - 1 PLC ± 0,3 2 PLC ± - 3 PLC ± - 4 PLC ± - ANGLES ± 1 FINISH -	PRODUCT SPEC: - APPLICATION SPEC: - WEIGHT: -	NAME: HOUSING, 12 POSITION, FUSE CONTACT, STD POWER TIMER
MATERIAL: -	FINISH: -	WEIGHT: -	RESTRICTED TO: -
CUSTOMER DRAWING		SCALE: 2:1	SHEET OF REV: A