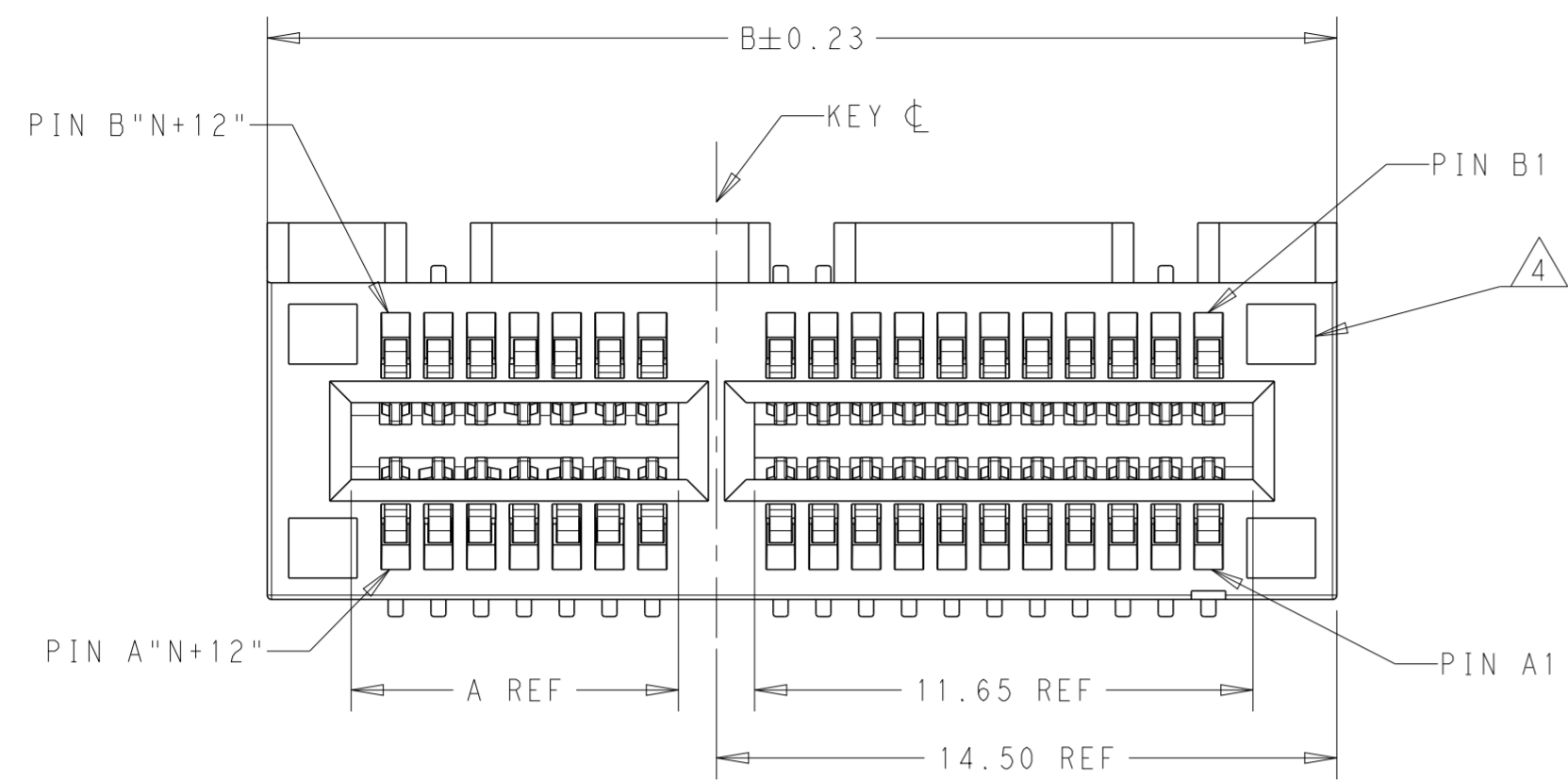


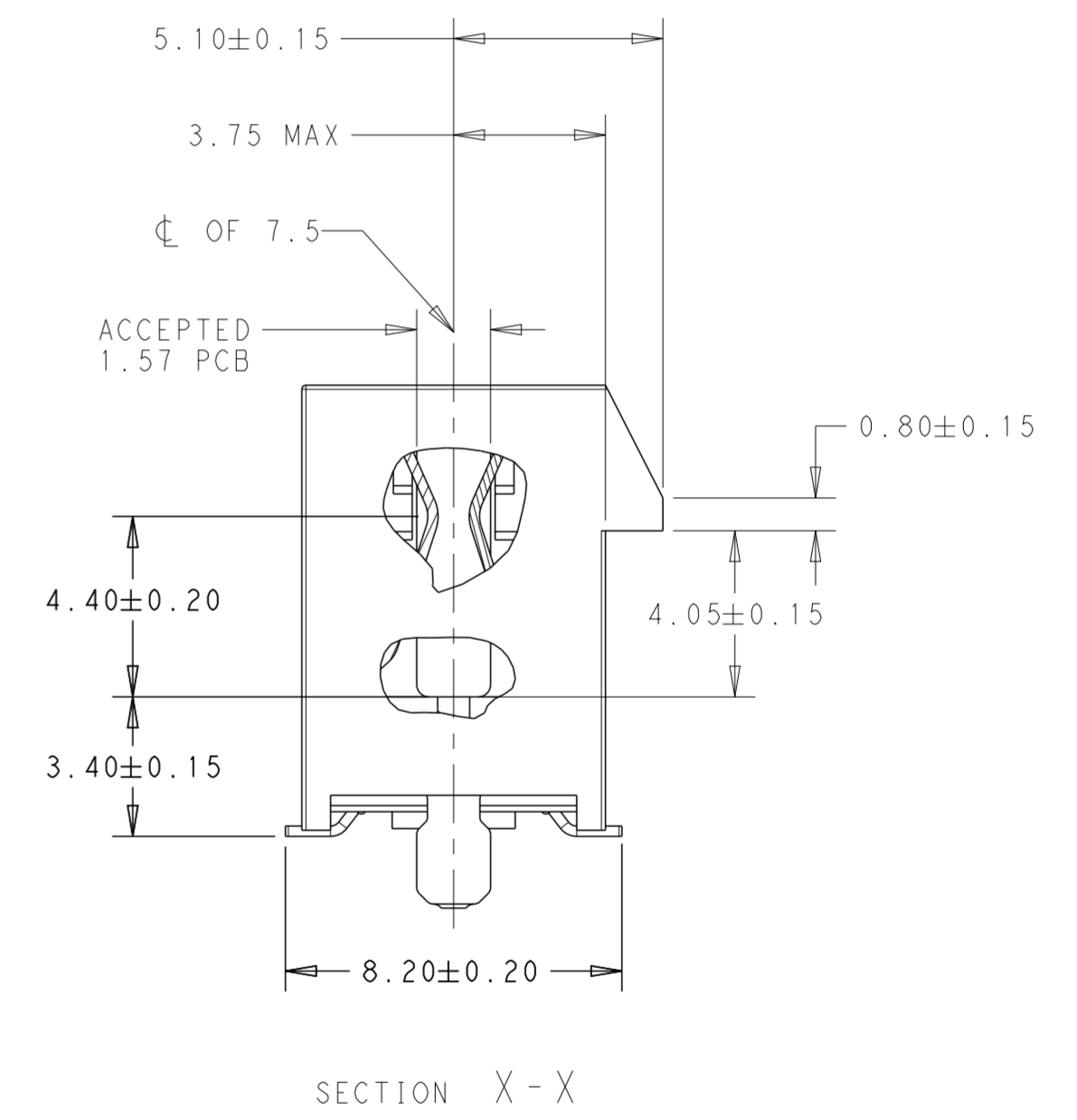
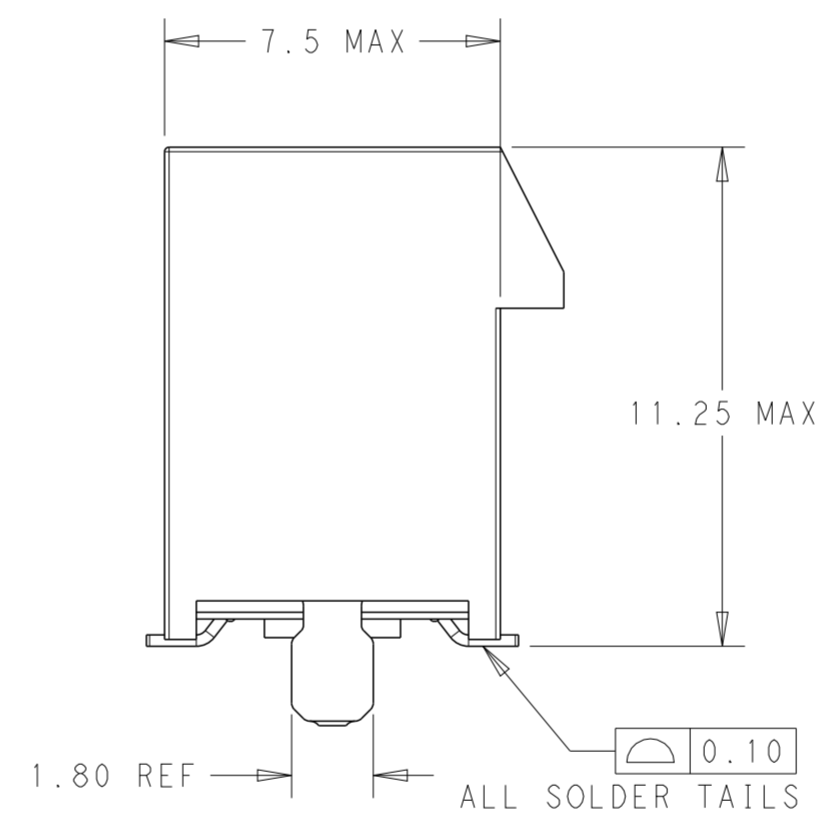
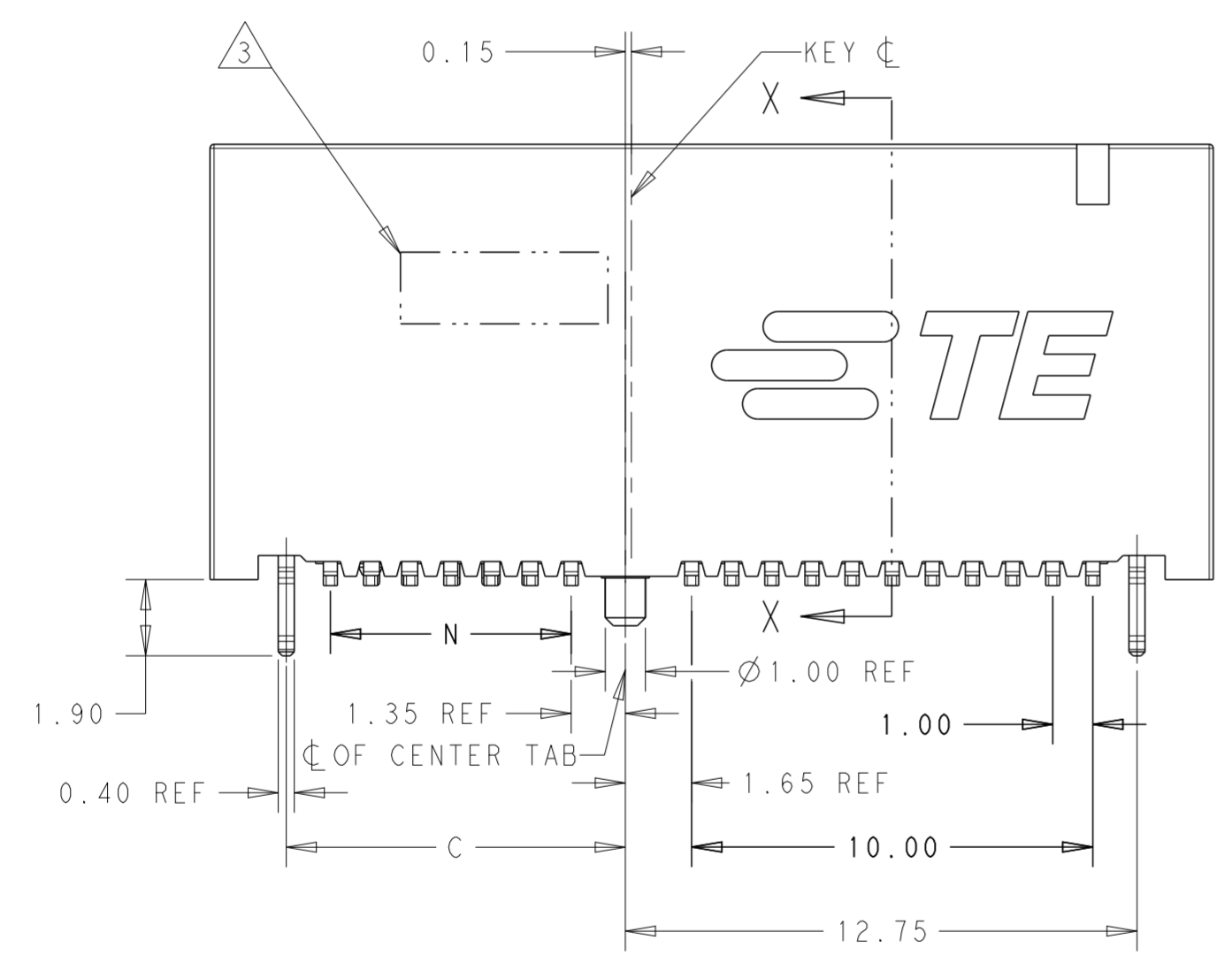
THIS DRAWING IS UNPUBLISHED. RELEASED FOR PUBLICATION 20
 © COPYRIGHT 20 BY - ALL RIGHTS RESERVED.

REVISIONS					
P	LTR	DESCRIPTION	DATE	DWN	APVD
A		A REVISION RELEASE	7JUNE2022	SY	HL
B		UPDATE HARD TRAY IN SHEETS	24NOV2022	MC	HL



NOTES:

- 1 MATERIAL:
HOUSING: HIGH-TEMP PLASTIC; BLACK, UL 94V-0
CONTACT: COPPER ALLOY
SOLDER TAB: STAINLESS STEEL
- 2 FINISH:
(SEE TABLE) 0.1 INCH GOLD PLATING OR GOLD FLASH OVER PdNi ON CONTACT AREA.
2.54um MATTE-TIN PLATING ON SOLDER TAIL AREA.
1.27um NICKEL UNDERPLATING OVERALL.
- 3 PCIE5, PART NUMBER AND DC PRINTED IN APPROPRIATE AREA OR OPPOSITE.
- 4 SUCH CORE AVOIDS PER MANUFACTURER'S CONVENIENCE


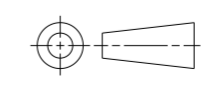


THIS DRAWING IS A CONTROLLED DOCUMENT.		DWN SANDERS_YAN 14DEC2020	TE Connectivity	
		CHK MIKE_CHEN 14DEC2020		
DIMENSIONS: mm		APVD HOPE_LU 14DEC2020	NAME PCI EXPRESS CARD EDGE CONNECTOR GEN5, 1.9 SOLDER TAB AND CENTER POST	
TOLERANCES UNLESS OTHERWISE SPECIFIED:		PRODUCT SPEC 108-160247	SIZE CAGE CODE DRAWING NO RESTRICTED TO	
0 PLC ±		APPLICATION SPEC -	A200779 C-2384030	
1 PLC ±0.3		WEIGHT -	SCALE 6:1 SHEET 1 OF 6 REV B	
2 PLC ±0.20				
3 PLC ±0.050				
4 PLC ±				
ANGLES ±				
FINISH				
MATERIAL 1				

THIS DRAWING IS UNPUBLISHED. RELEASED FOR PUBLICATION 20
 © COPYRIGHT 20 BY - ALL RIGHTS RESERVED.

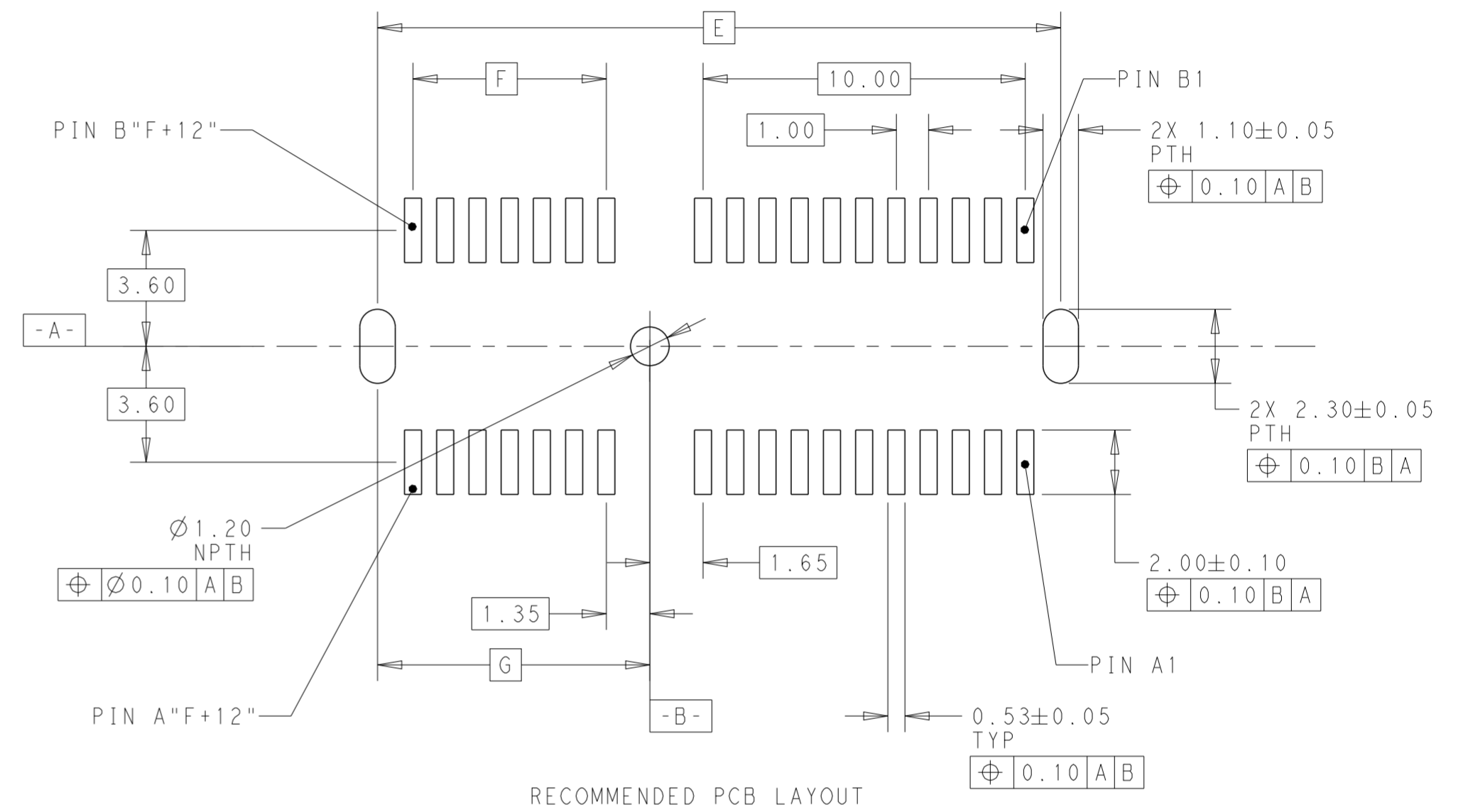
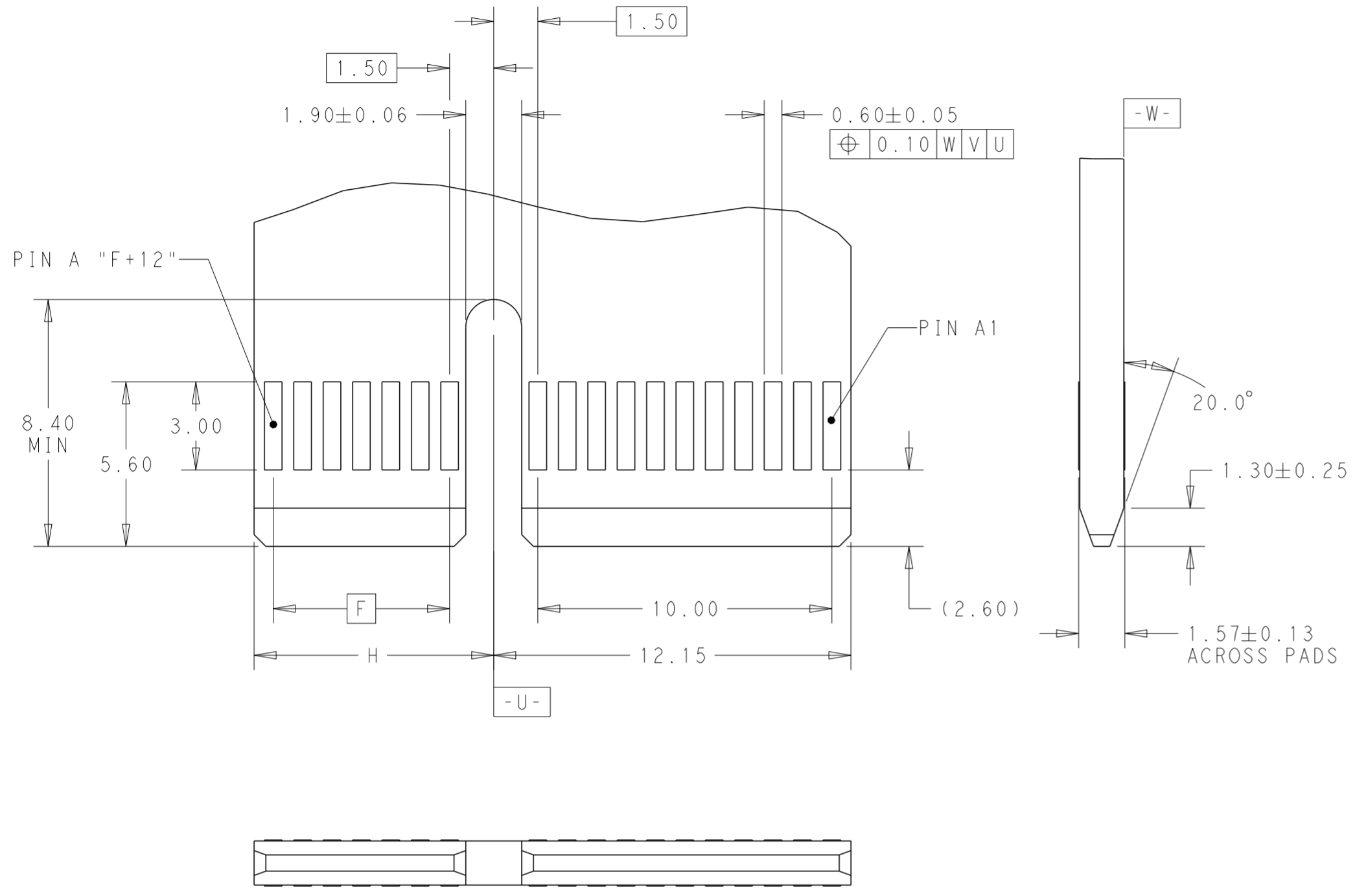
REVISIONS				
P	LTR	DESCRIPTION	DATE	APVD
-	-	SEE SHEET 1	-	-

TYPE	L*W*H (TRAY PACKAGE)	PRECIOUS PLATING THICKNESS (TOTAL)	W	V	J	N	C	B	A	POS.	PART NUMBER
HARD TRAY	330X235X19.3	30u"	45.0	8	44.5	70	72.45	89	71.65	164	7-2384030-4
HARD TRAY	330X235X19.3	30u"	86.5	8	44.5	70	72.45	89	71.65	164	5-2384030-8
HARD TRAY	330X235X19.3	30u"	53.5	8	28	37	39.45	56	38.65	98	5-2384030-7
SOFT TRAY	338X235X20.3	30u"	36.5	8	19.5	20	22.45	39	21.65	64	5-2384030-6
SOFT TRAY	TBD	30u"	22.5	8	12.5	6	8.45	25	7.65	36	5-2384030-5
HARD TRAY	330X235X19.3	30u"	10.0	8	44.5	70	72.45	89	71.65	164	5-2384030-4
HARD TRAY	330X235X19.3	30u"	10.0	8	28	37	39.45	56	38.65	98	5-2384030-3
SOFT TRAY	338X235X20.3	30u"	10.0	8	19.5	20	22.45	39	21.65	64	5-2384030-2
SOFT TRAY	TBD	30u"	10.0	8	12.5	6	8.45	25	7.65	36	5-2384030-1
HARD TRAY	330X235X19.3	15u"	86.5	8	44.5	70	72.45	89	71.65	164	4-2384030-8
HARD TRAY	330X235X19.3	15u"	53.5	8	28	37	39.45	56	38.65	98	4-2384030-7
SOFT TRAY	338X235X20.3	15u"	36.5	8	19.5	20	22.45	39	21.65	64	4-2384030-6
SOFT TRAY	TBD	15u"	22.5	8	12.5	6	8.45	25	7.65	36	4-2384030-5
HARD TRAY	330X235X19.3	15u"	10.0	8	44.5	70	72.45	89	71.65	164	4-2384030-4
HARD TRAY	330X235X19.3	15u"	10.0	8	28	37	39.45	56	38.65	98	4-2384030-3
SOFT TRAY	338X235X20.3	15u"	10.0	8	19.5	20	22.45	39	21.65	64	4-2384030-2
SOFT TRAY	TBD	15u"	10.0	8	12.5	6	8.45	25	7.65	36	4-2384030-1
HARD TRAY	330X235X19.3	G/F	86.5	8	44.5	70	72.45	89	71.65	164	3-2384030-8
HARD TRAY	330X235X19.3	G/F	53.5	8	28	37	39.45	56	38.65	98	3-2384030-7
SOFT TRAY	338X235X20.3	G/F	36.5	8	19.5	20	22.45	39	21.65	64	3-2384030-6
SOFT TRAY	TBD	G/F	22.5	8	12.5	6	8.45	25	7.65	36	3-2384030-5
HARD TRAY	330X235X19.3	G/F	10.0	8	44.5	70	72.45	89	71.65	164	3-2384030-4
HARD TRAY	330X235X19.3	G/F	10.0	8	28	37	39.45	56	38.65	98	3-2384030-3
SOFT TRAY	338X235X20.3	G/F	10.0	8	19.5	20	22.45	39	21.65	64	3-2384030-2
SOFT TRAY	TBD	G/F	10.0	8	12.5	6	8.45	25	7.65	36	3-2384030-1
HARD TRAY	330X235X19.3	30u"	NA	8	44.5	70	72.45	89	71.65	164	2-2384030-4
HARD TRAY	330X235X19.3	30u"	NA	8	28	37	39.45	56	38.65	98	2-2384030-3
SOFT TRAY	338X235X20.3	30u"	NA	8	19.5	20	22.45	39	21.65	64	2-2384030-2
SOFT TRAY	TBD	30u"	NA	8	12.5	6	8.45	25	7.65	36	2-2384030-1
HARD TRAY	330X235X19.3	15u"	NA	8	44.5	70	72.45	89	71.65	164	1-2384030-4
HARD TRAY	330X235X19.3	15u"	NA	8	28	37	39.45	56	38.65	98	1-2384030-3
SOFT TRAY	338X235X20.3	15u"	NA	8	19.5	20	22.45	39	21.65	64	1-2384030-2
SOFT TRAY	TBD	15u"	NA	8	12.5	6	8.45	25	7.65	36	1-2384030-1
HARD TRAY	330X235X19.3	G/F	NA	8	44.5	70	72.45	89	71.65	164	2384030-4
HARD TRAY	330X235X19.3	G/F	NA	8	28	37	39.45	56	38.65	98	2384030-3
SOFT TRAY	338X235X20.3	G/F	NA	8	19.5	20	22.45	39	21.65	64	2384030-2
SOFT TRAY	TBD	G/F	NA	8	12.5	6	8.45	25	7.65	36	2384030-1

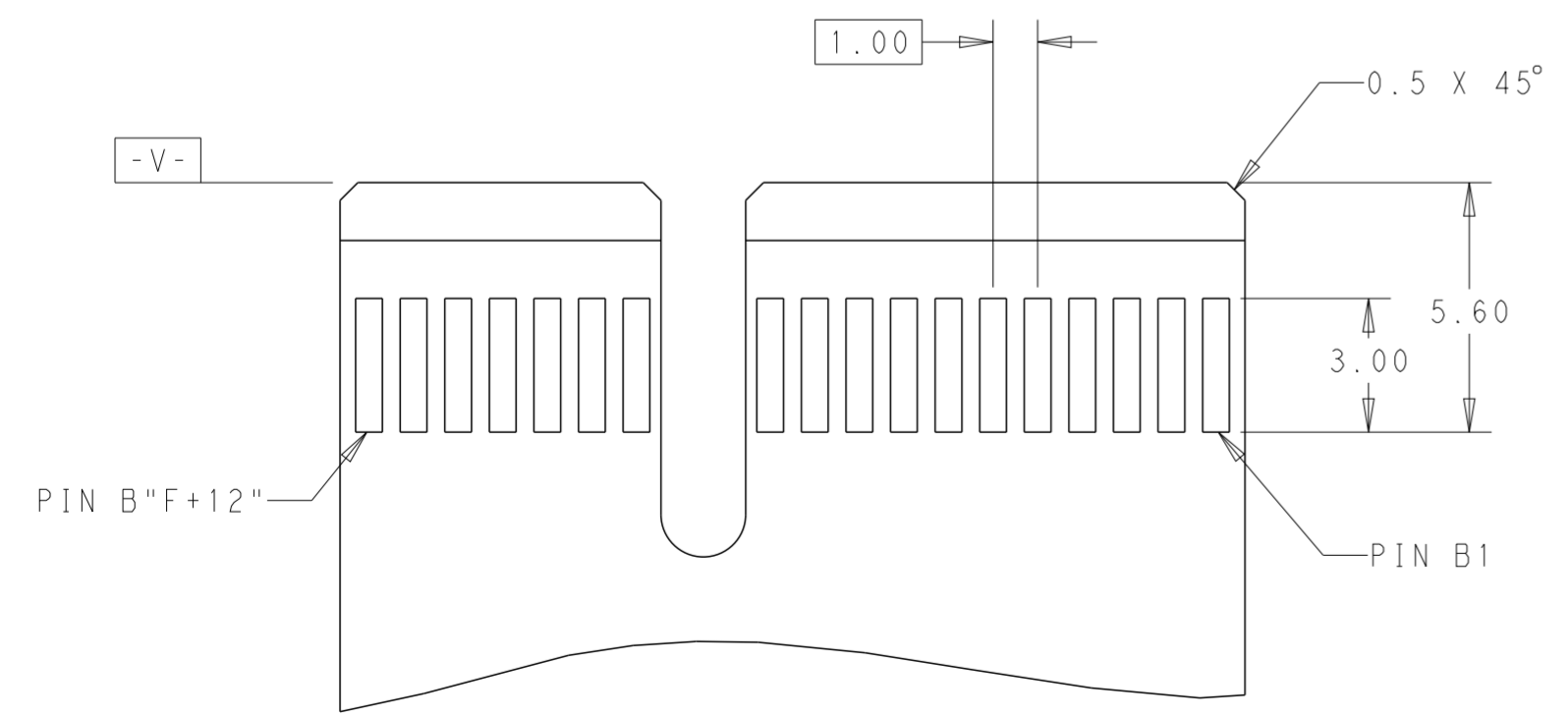
THIS DRAWING IS A CONTROLLED DOCUMENT.		DWN SANDERS, YAN 14DEC2020	 TE Connectivity	
DIMENSIONS: mm		CHK MIKE, CHEN 14DEC2020		
		APVD HOPE, LU 14DEC2020	NAME PCI EXPRESS CARD EDGE CONNECTOR GEN5, 1.9 SOLDER TAB AND CENTER POST	
TOLERANCES UNLESS OTHERWISE SPECIFIED:		PRODUCT SPEC 108-160247	RESTRICTED TO	
0 PLC ±		APPLICATION SPEC	SIZE A2	CAGE CODE 00779
1 PLC ±0.3		WEIGHT	DRAWING NO C-2384030	SCALE 4:1
2 PLC ±0.20		CUSTOMER DRAWING	SHEET 2 OF 6	REV B
3 PLC ±0.050				
4 PLC ±				
ANGLES ±				
FINISH				

THIS DRAWING IS UNPUBLISHED. RELEASED FOR PUBLICATION 20
 © COPYRIGHT 20 BY - ALL RIGHTS RESERVED.

REVISIONS				
P	LTR	DESCRIPTION	DATE	APVD
-	-	SEE SHEET 1	-	-



RECOMMENDED PCB LAYOUT



ADD-IN CARD EDGE-FINGER DIMENSION
 DEFAULT TOLERANCE ±0.13

164	85.20	70	72.45	72.15
98	52.20	37	39.45	39.15
64	35.20	20	22.45	22.15
36	21.20	6	8.45	8.15
POS.	DIM. E	DIM. F	DIM. G	DIM. H

THIS DRAWING IS A CONTROLLED DOCUMENT.

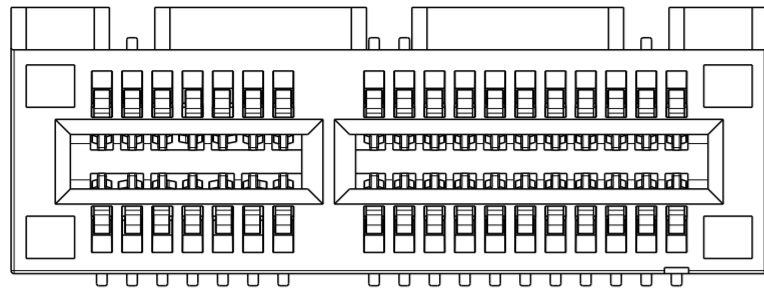
DIMENSIONS: mm	TOLERANCES UNLESS OTHERWISE SPECIFIED: 0 PLC ± 1 PLC ±0.3 2 PLC ±0.20 3 PLC ±0.050 4 PLC ± ANGLES ± FINISH	DWN SANDERS YAN 14DEC2020 CHK MIKE CHEN 14DEC2020 APVD HOPE LU 14DEC2020 PRODUCT SPEC 108-160247 APPLICATION SPEC WEIGHT CUSTOMER DRAWING	NAME PCI EXPRESS CARD EDGE CONNECTOR GEN5, 1.9 SOLDER TAB AND CENTER POST SIZE A2 CAGE CODE 00779 DRAWING NO. C-2384030 RESTRICTED TO
SCALE 6:1		SHEET 3 OF 6	

1471-9 (3/13)

THIS DRAWING IS UNPUBLISHED. RELEASED FOR PUBLICATION 20
 © COPYRIGHT 20 BY - ALL RIGHTS RESERVED.

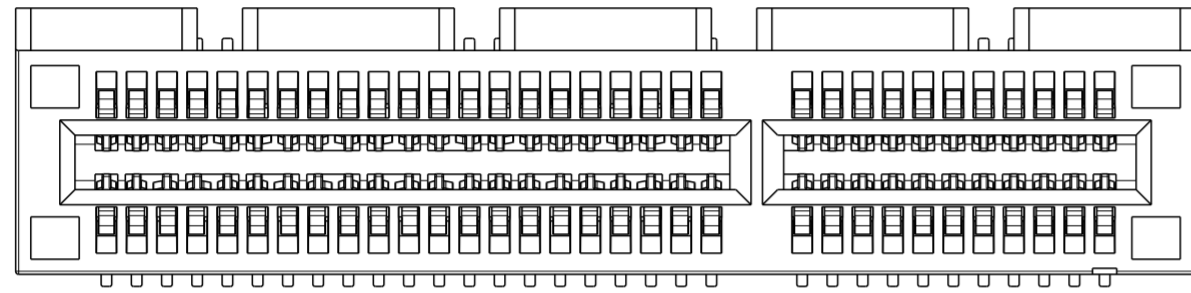
REVISIONS				
P	LTR	DESCRIPTION	DATE	APVD
-	-	SEE SHEET 1	-	-

FRONT VIEW



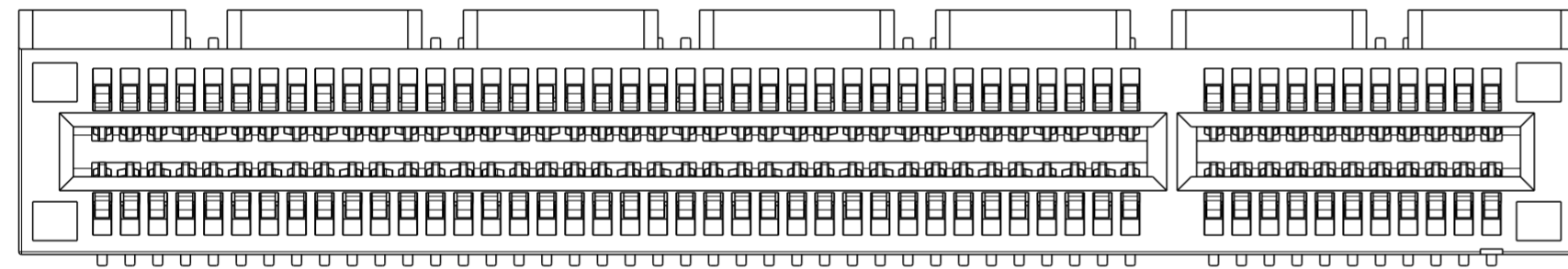
36POS AS SHOWN
SCALE 4:1

FRONT VIEW



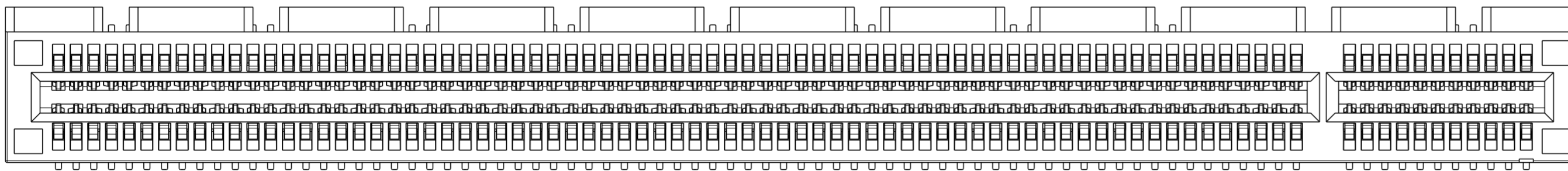
64POS AS SHOWN
SCALE 4:1

FRONT VIEW

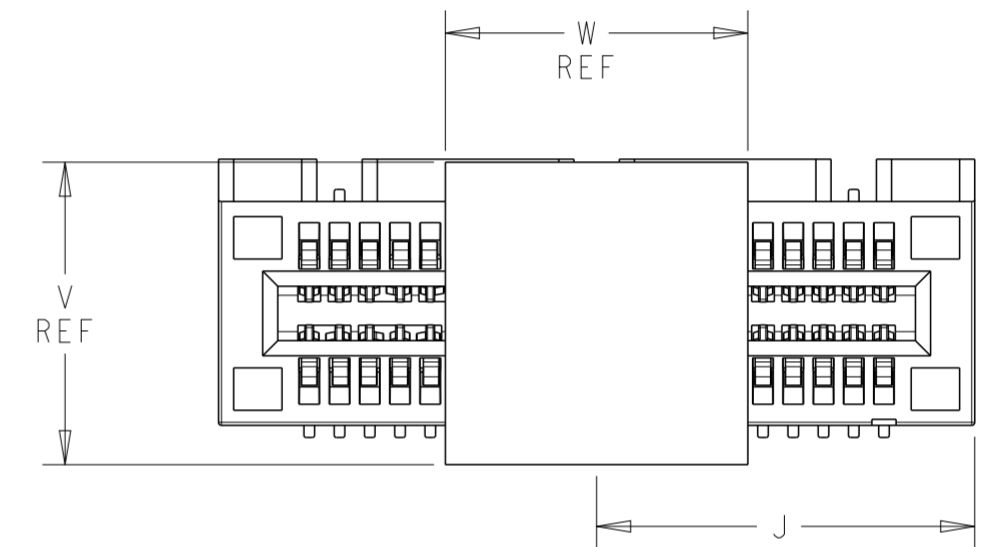


98POS AS SHOWN
SCALE 4:1

FRONT VIEW



164POS AS SHOWN
SCALE 4:1

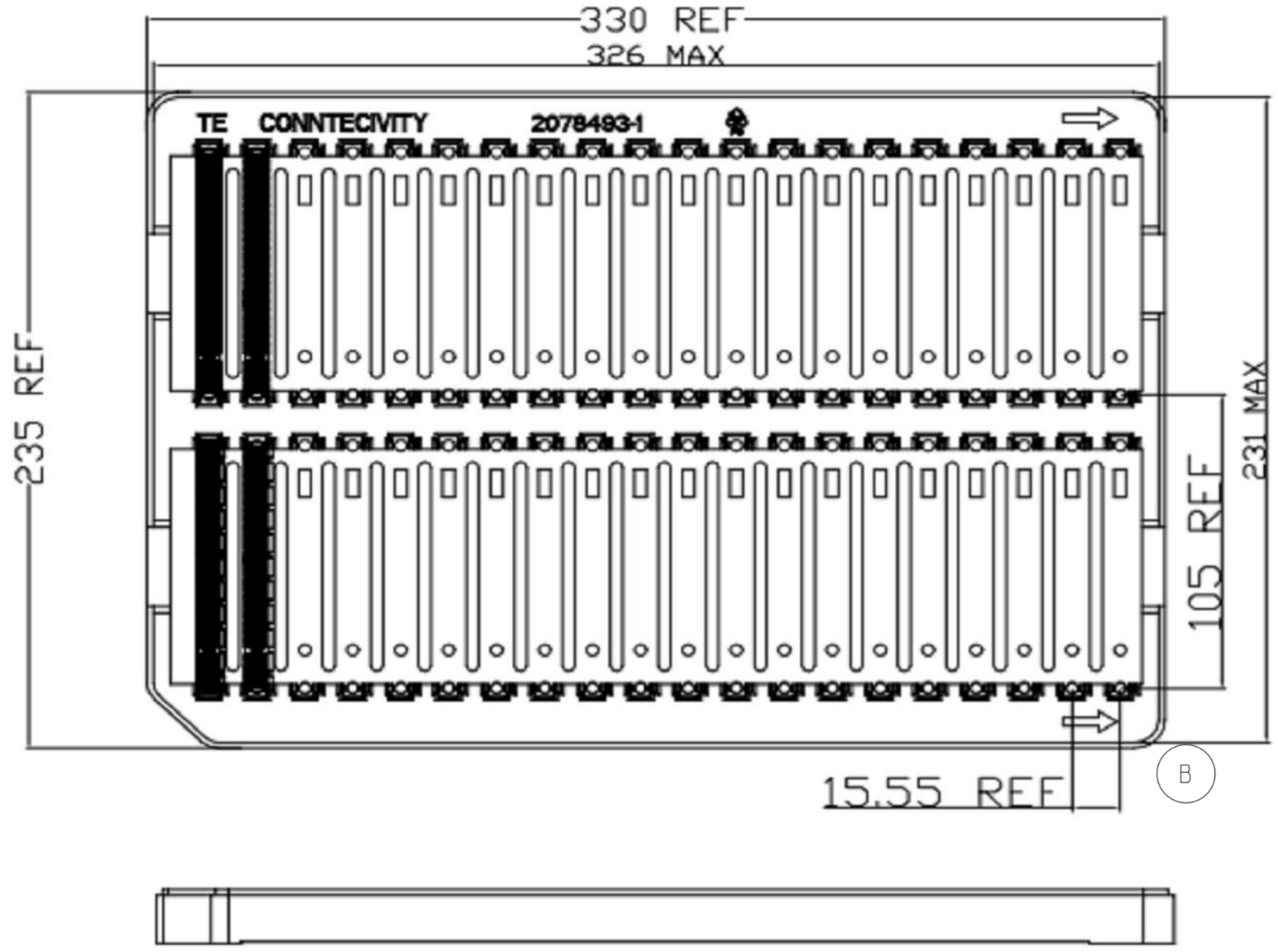


MYLAR SIZE
SCALE 4:1

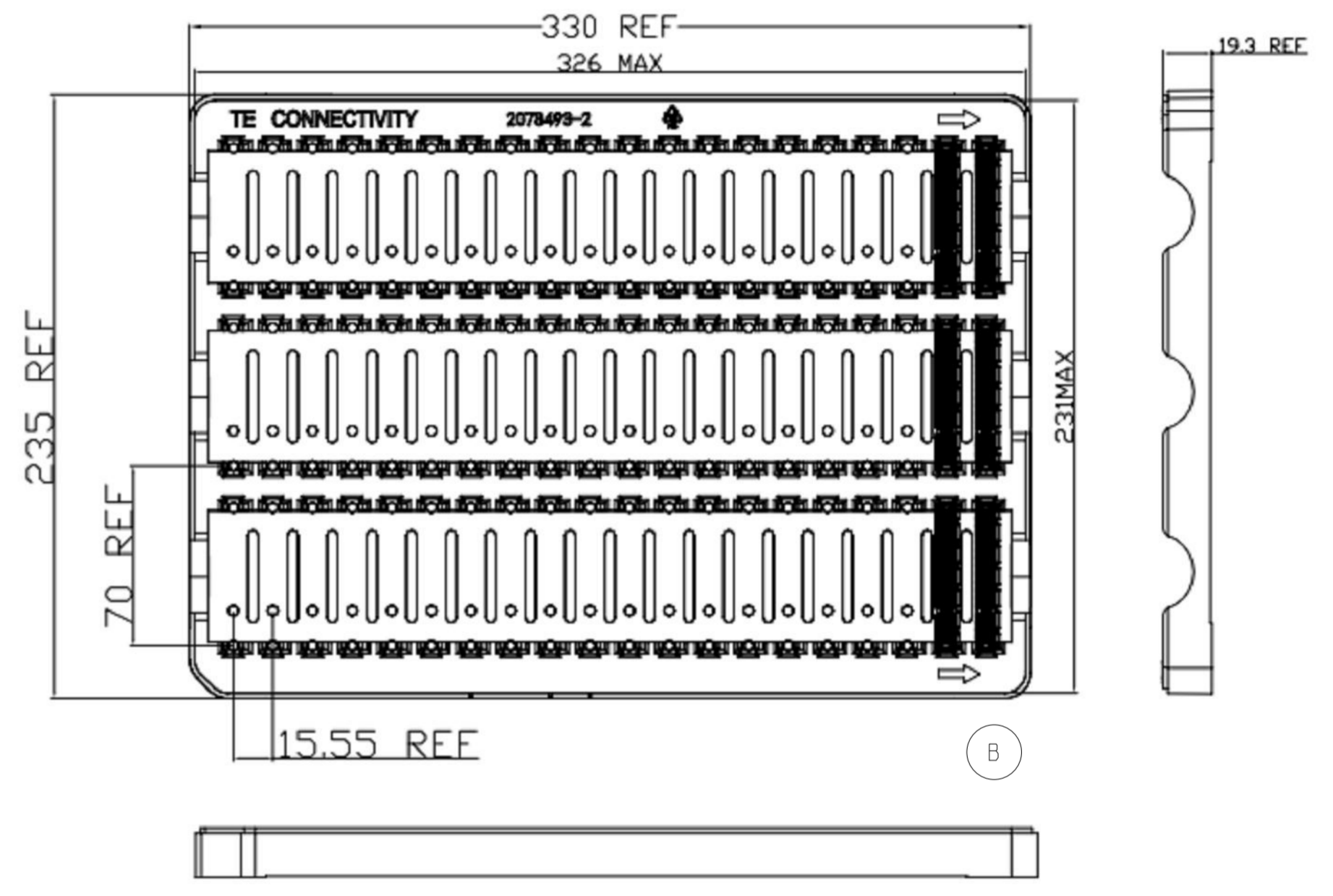
THIS DRAWING IS A CONTROLLED DOCUMENT.		DWN SANDERS, YAN 14DEC2020	TE Connectivity	
		CHK MIKE, CHEN 14DEC2020		
		APVD HOPE, LU 14DEC2020	NAME PCI EXPRESS CARD EDGE CONNECTOR GEN5, 1.9 SOLDER TAB AND CENTER POST	
DIMENSIONS: mm		PRODUCT SPEC 108-160247	SIZE A2	CAGE CODE 00779
TOLERANCES UNLESS OTHERWISE SPECIFIED:		APPLICATION SPEC -	DRAWING NO C-2384030	RESTRICTED TO -
0 PLC ± 1 PLC ±0.3 2 PLC ±0.20 3 PLC ±0.050 4 PLC ± ANGLES ± FINISH -		WEIGHT -	SCALE 6:1	SHEET 4 OF 6
MATERIAL -		CUSTOMER DRAWING	REV B	

THIS DRAWING IS UNPUBLISHED. RELEASED FOR PUBLICATION 20
 © COPYRIGHT 20 BY - ALL RIGHTS RESERVED.

REVISIONS				
P	LTR	DESCRIPTION	DATE	APVD
-	-	SEE SHEET 1	-	-



HARD TRAY: FOR 164POS
SCALE 1:2

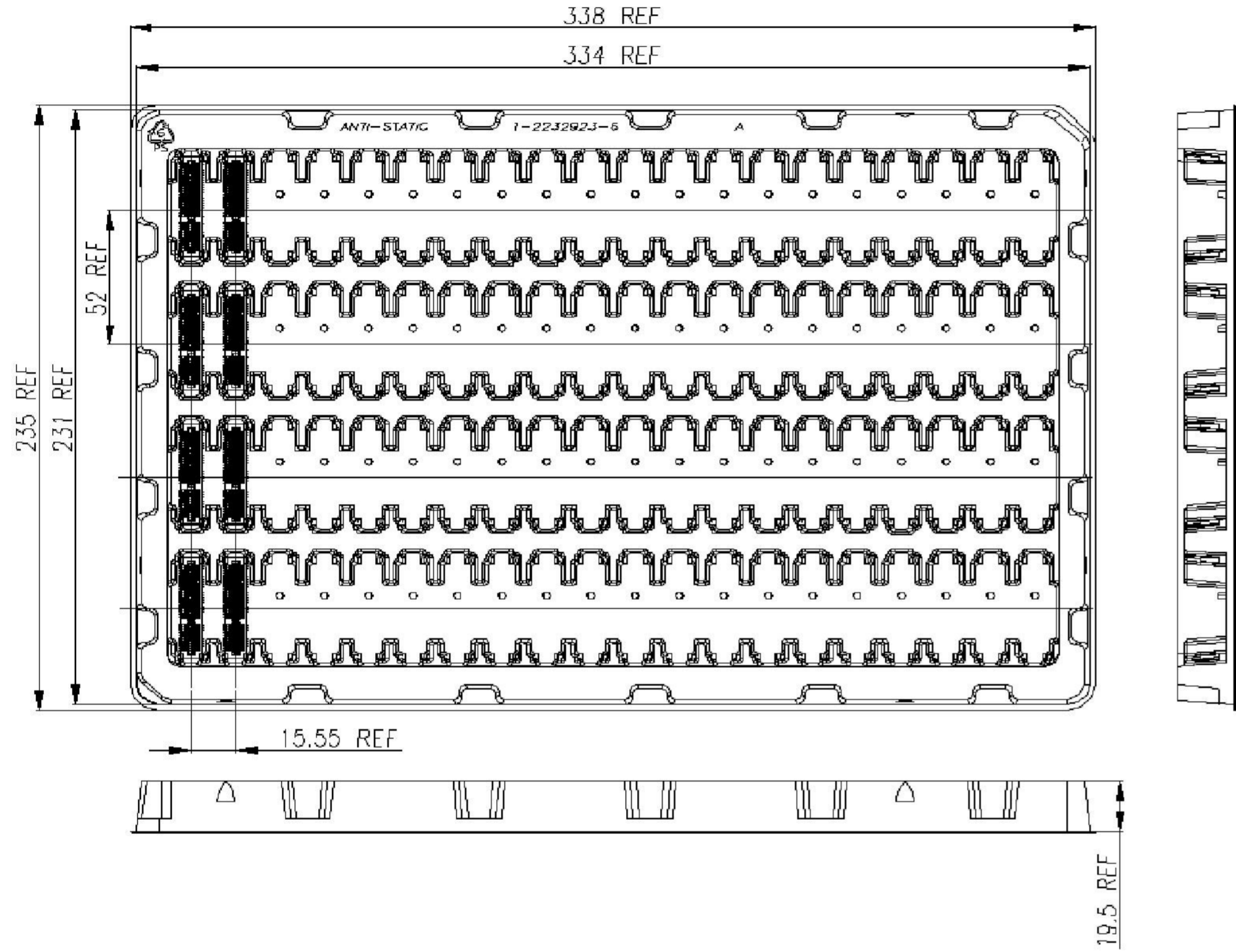


HARD TRAY: FOR 98POS
SCALE 1:2


THIS DRAWING IS A CONTROLLED DOCUMENT.		DWN SANDERS, YAN 14DEC2020	STE TE Connectivity	
		CHK MIKE, CHEN 14DEC2020		
DIMENSIONS: mm		APVD HOPE, LU 14DEC2020	NAME PCI EXPRESS CARD EDGE CONNECTOR GEN5, 1.9 SOLDER TAB AND CENTER POST	
TOLERANCES UNLESS OTHERWISE SPECIFIED:		PRODUCT SPEC 108-160247	SIZE CAGE CODE DRAWING NO RESTRICTED TO	
0 PLC ±		APPLICATION SPEC -	A200779 C-2384030	
1 PLC ±0.3		WEIGHT -	SCALE 6:1 SHEET 5 OF 6 REV B	
2 PLC ±0.20		CUSTOMER DRAWING		
3 PLC ±0.050				
4 PLC ±				
ANGLES ±				
FINISH -				
MATERIAL -				

THIS DRAWING IS UNPUBLISHED. RELEASED FOR PUBLICATION 20
 © COPYRIGHT 20 BY - ALL RIGHTS RESERVED.

REVISIONS				
P	LTR	DESCRIPTION	DATE	APVD
-	-	SEE SHEET 1	-	-



SOFT TRAY: FOR 64POS
 SCALE 1:2

THIS DRAWING IS A CONTROLLED DOCUMENT.		DWN SANDERS YAN 14DEC2020	 TE Connectivity	
DIMENSIONS: mm		CHK MIKE CHEN 14DEC2020		
TOLERANCES UNLESS OTHERWISE SPECIFIED:		APVD HOPE LU 14DEC2020	NAME PCI EXPRESS CARD EDGE CONNECTOR GEN5, 1.9 SOLDER TAB AND CENTER POST	
0 PLC ± 1 PLC ±0.3 2 PLC ±0.20 3 PLC ±0.050 4 PLC ± ANGLES ± FINISH		PRODUCT SPEC 108-160247	SIZE A2	CAGE CODE 00779
MATERIAL -		APPLICATION SPEC -	DRAWING NO C-2384030	RESTRICTED TO -
-		WEIGHT -	SCALE 6:1	SHEET 6 OF 6
-		CUSTOMER DRAWING	REV B	