



Product Compliance

[For compliance documentation, visit the product page on TE.com>](#)

| | |
|---|---|
| EU RoHS Directive 2011/65/EU | Compliant |
| EU ELV Directive 2000/53/EC | Compliant |
| China RoHS 2 Directive MIIT Order No 32, 2016 | No Restricted Materials Above Threshold |
| EU REACH Regulation (EC) No. 1907/2006 | <p>Current ECHA Candidate List: JAN 2024 (240)</p> <p>Candidate List Declared Against: JAN 2024 (240)</p> <p>SVHC > Threshold:</p> <ul style="list-style-type: none"> Octamethylcyclotetrasiloxane (D4) (.5% in Component Part) Dodecamethylcyclohexasiloxane (D6) (.5% in Component Part) Decamethylcyclopentasiloxane (D5) (.5% in Component Part) <p>Article Safe Usage Statements: Wash thoroughly after handling. Recycle if possible and dispose of the article by following all applicable governmental regulations relevant to your geographic location.</p> |
| Halogen Content | BFR/CFR/PVC Free, but Br/Cl >900 ppm in other sources. |
| Solder Process Capability | Not applicable for solder process capability |

Product Compliance Disclaimer

This information is provided based on reasonable inquiry of our suppliers and represents our current actual knowledge based on the information they provided. This information is subject to change. The part numbers that TE has identified as EU RoHS compliant have a maximum concentration of 0.1% by weight in homogenous materials for lead, hexavalent chromium, mercury, PBB, PBDE, DBP, BBP, DEHP, DIBP, and 0.01% for cadmium, or qualify for an exemption to these limits as defined in the Annexes of Directive 2011/65/EU (RoHS2). Finished electrical and electronic equipment products will be CE marked as required by Directive 2011/65/EU. Components may not be CE marked. Additionally, the part numbers that TE has identified as EU ELV compliant have a maximum concentration of 0.1% by weight in homogenous materials for lead, hexavalent chromium, and mercury, and 0.01% for cadmium, or qualify for an exemption to these limits as defined in the Annexes of Directive 2000/53/EC (ELV). Regarding the REACH Regulation, the information TE provides

on SVHC in articles for this part number is based on the latest European Chemicals Agency (ECHA) 'Guidance on requirements for substances in articles' posted at this URL: <https://echa.europa.eu/guidance-documents/guidance-on-reach>

Compatible Parts



TE Part # CAT-A11-T273
1.5/2.8 CONNECTOR SYSTEM, RECPT AND TAB



TE Part # 2151619-1
OCEAN_2.0_APPLICATOR-S-100F155O-RSM



TE Part # 2151729-1
OCEAN_2.0_Applicator-S-100F180O-RSM



TE Part # 2151730-1
OCEAN_2.0_Applicator-S-080F167O-RSM

TE Part # 1587048-1
34P FEMALE PLUG HSG - KEY A

TE Part # 1587049-1
FEMALE TPA - 34P HYBRID

TE Part # 1587050-1
LEVER - 34P HYBRID

TE Part # 1587051-1
END SEAL COVER - 34P PLUG

TE Part # 1587052-1
GROMMET - 34P PLUG

TE Part # 1587053-1
RING SEAL - 34P PLUG

TE Part # 1924082-1
34 Position Peripheral Seal

TE Part # 4-1438842-6
34WAY IN-LINE CAP ASSY, KEY A BLKD

Customers Also Bought



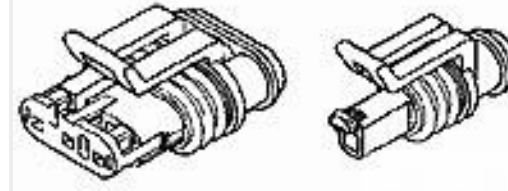
TE Part #206070-8
CABLE CLAMP KIT #17



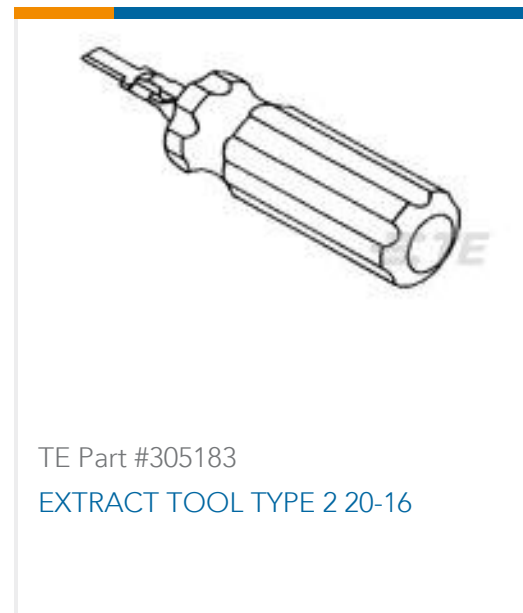
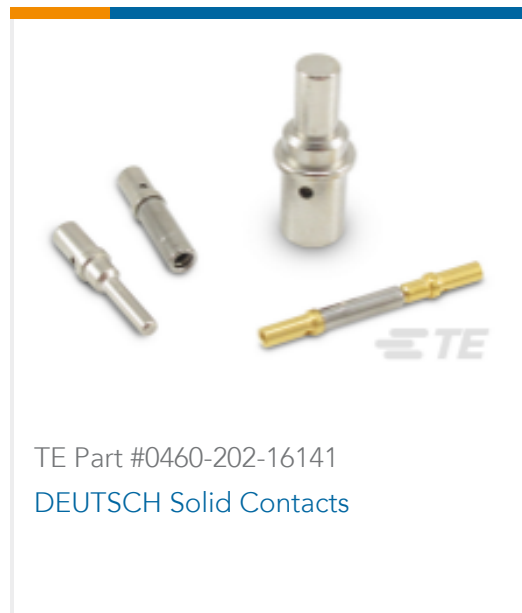
TE Part #W4P
Wedgelocks: DEUTSCH DT



TE Part #DT04-2P
REC, 2P, GRY, N



TE Part #282087-1
AMP SUPERSEAL 1.5 SERIES 3P PL



Documents

Product Drawings

[34WAY IN-LINE PLUG ASSY, INDEX A](#)

English

CAD Files

Customer View Model

[ENG_CVM_CVM_4-2203654-6_B1.2d_dxf.zip](#)

English

[3D PDF](#)

3D

Customer View Model

[ENG_CVM_CVM_4-2203654-6_B1.3d_igs.zip](#)

English

Customer View Model

[ENG_CVM_CVM_4-2203654-6_B1.3d_stp.zip](#)

English

By downloading the CAD file I accept and agree to the [Terms and Conditions](#) of use.

Product Specifications

[Application Specification](#)

English

[Application Specification](#)

English

[Application Specification](#)

English

[Application Specification](#)

English

[Application Specification](#)

English

[Application Specification](#)

English

[Application Specification](#)

English

[Application Specification](#)



English

Instruction Sheets

Instruction Sheet (U.S.)

English

Instruction Sheet (U.S.)

English

Instruction Sheet (U.S.)

English

Instruction Sheet (U.S.)

English

Instruction Sheet (U.S.)

English

Instruction Sheet (U.S.)

English