

4-1971772-3 ✓ ACTIVE



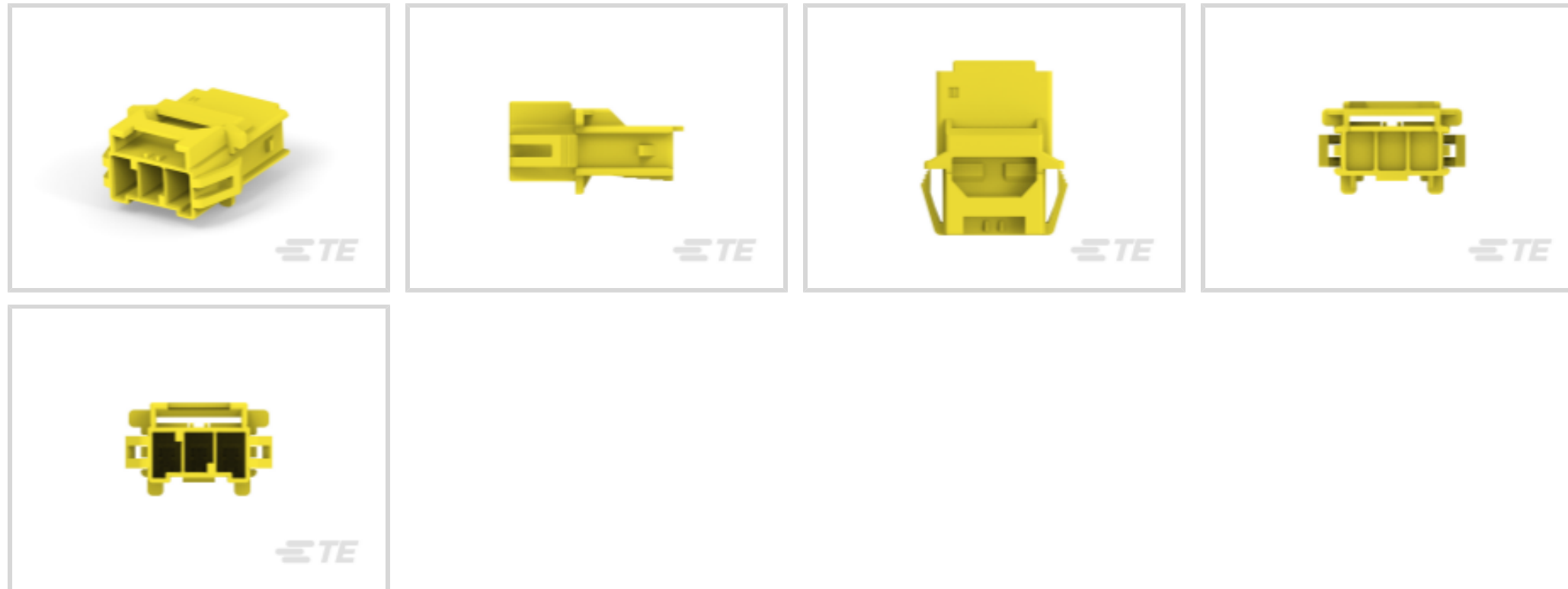
Power Triple Lock

TE Internal #: 4-1971772-3

3 Position, Cap, Housing, Crimp, Wire-to-Wire, UL 94V-0, 6 mm [.236 in] Centerline, 1 Row, 600 VAC, Wire & Cable, Power, Power Triple Lock

[View on TE.com >](#)

Connectors > Rectangular Connectors > Standard Rectangular Connectors > Standard Temperature Caps | POWER TRIPLE LOCK



Connector Product Type: **Housing**

Connector & Housing Type: **Cap**

Termination Method to Wire & Cable: **Crimp**

Connector System: **Wire-to-Wire**

Contact Retention Within Housing: **Without**

[All Standard Temperature Caps | POWER TRIPLE LOCK \(40\)](#)

Features

Product Type Features

| | |
|-----------------------------------|--------------|
| Connector Product Type | Housing |
| Connector & Housing Type | Cap |
| Connector System | Wire-to-Wire |
| Sealable | No |
| Connector & Contact Terminates To | Wire & Cable |

Configuration Features

| | |
|---------------------------|---|
| Number of Positions | 3 |
| Number of Rows | 1 |
| Number of Power Positions | 3 |

Electrical Characteristics

| | |
|-------------------|---------|
| Operating Voltage | 600 VDC |
|-------------------|---------|

Body Features



| | |
|-------------------------|--------|
| Connector & Keying Code | D |
| Primary Product Color | Yellow |
| Cable Exit Angle | 180° |

Contact Features

| | |
|----------------------------------|---------|
| Contact Layout | Inline |
| Contact Retention Within Housing | Without |
| Contact Type | Tab |

Termination Features

| | |
|------------------------------------|-------|
| Termination Method to Wire & Cable | Crimp |
|------------------------------------|-------|

Mechanical Attachment

| | |
|--------------------------|-------------|
| Panel Mount Feature | With |
| Panel Mount Feature Type | Latches |
| Connector Mounting Type | Panel Mount |

Housing Features

| | |
|--------------------|----------------|
| Centerline (Pitch) | 6 mm [.236 in] |
| Housing Material | PBT GF |

Dimensions

| | |
|-------------------------------|---------------------------|
| Panel Thickness (Recommended) | 1 – 2 mm [.039 – .079 in] |
| Connector Height | 14.95 mm |

Usage Conditions

| | |
|-----------------------------|-----------------------------|
| Operating Temperature Range | -55 – 105 °C [-67 – 221 °F] |
|-----------------------------|-----------------------------|

Operation/Application

| | |
|---------------------|-------|
| Circuit Application | Power |
|---------------------|-------|

Identification Marking

| | |
|--------------------------------|------|
| Circuit Identification Feature | With |
|--------------------------------|------|

Industry Standards

| | |
|---|-------------------------------|
| Compatible With Agency/Standards Products | UL |
| UL Rating | Recognized |
| Compatible With Approved Standards Products | UL E28476 |
| UL Flammability Rating | UL 94V-0 |
| Glow Wire Rating | Standard Part - Not Glow Wire |



Packaging Features

| | |
|------------------|--------|
| Packaging Method | Carton |
|------------------|--------|

Product Compliance

[For compliance documentation, visit the product page on TE.com>](#)

| | |
|---|---|
| EU RoHS Directive 2011/65/EU | Compliant |
| EU ELV Directive 2000/53/EC | Compliant |
| China RoHS 2 Directive MIIT Order No 32, 2016 | No Restricted Materials Above Threshold |
| EU REACH Regulation (EC) No. 1907/2006 | Current ECHA Candidate List: JAN 2025 (247) Candidate List Declared Against: JAN 2025 (247) Does not contain REACH SVHC |
| Halogen Content | Not Low Halogen - contains Br or Cl > 900 ppm. |
| Solder Process Capability | Not reviewed for solder process capability |

Product Compliance Disclaimer

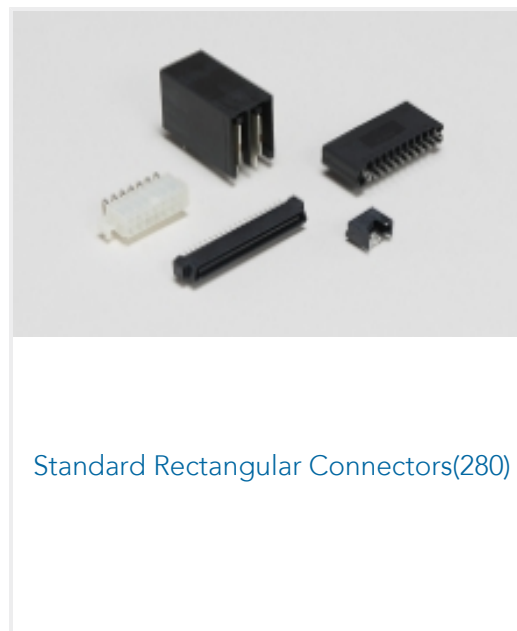
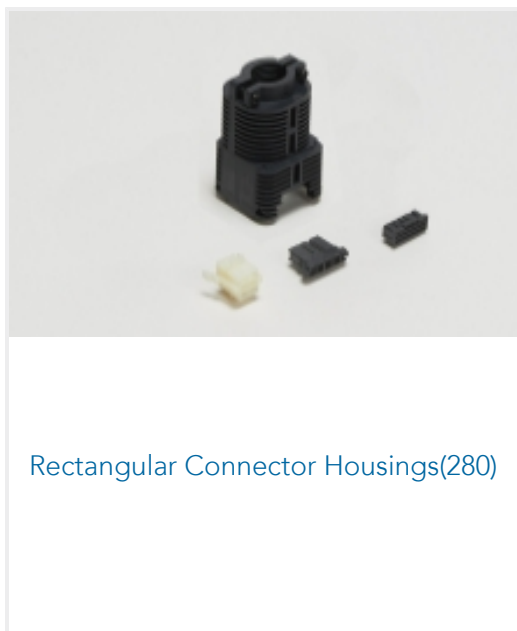
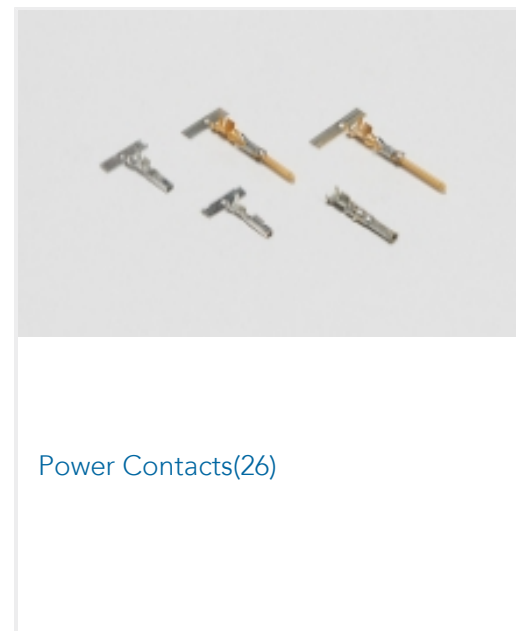
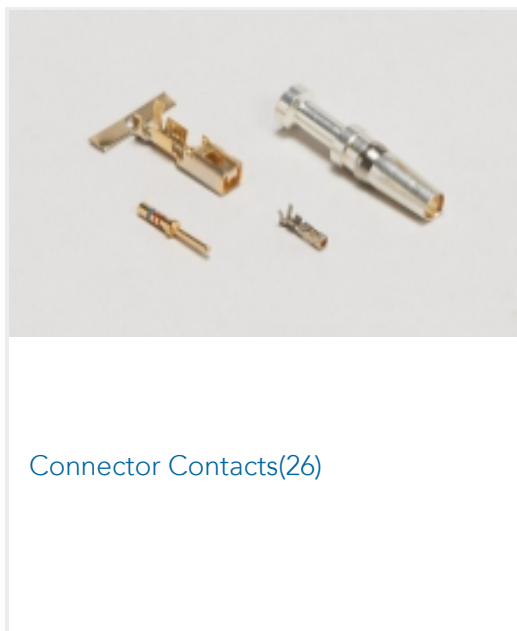
This information is provided based on reasonable inquiry of our suppliers and represents our current actual knowledge based on the information they provided. This information is subject to change. The part numbers that TE has identified as EU RoHS compliant have a maximum concentration of 0.1% by weight in homogenous materials for lead, hexavalent chromium, mercury, PBB, PBDE, DBP, BBP, DEHP, DIBP, and 0.01% for cadmium, or qualify for an exemption to these limits as defined in the Annexes of Directive 2011/65/EU (RoHS2). Finished electrical and electronic equipment products will be CE marked as required by Directive 2011/65/EU. Components may not be CE marked. Additionally, the part numbers that TE has identified as EU ELV compliant have a maximum concentration of 0.1% by weight in homogenous materials for lead, hexavalent chromium, and mercury, and 0.01% for cadmium, or qualify for an exemption to these limits as defined in the Annexes of Directive 2000/53/EC (ELV). Regarding the REACH Regulation, the information TE provides on SVHC in articles for this part number is based on the latest European Chemicals Agency (ECHA) 'Guidance on requirements for substances in articles' posted at this URL: <https://echa.europa.eu/guidance-documents/guidance-on-reach>

Compatible Parts

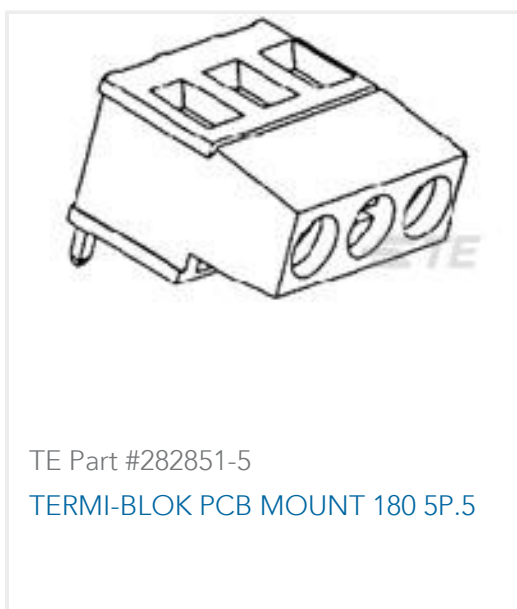
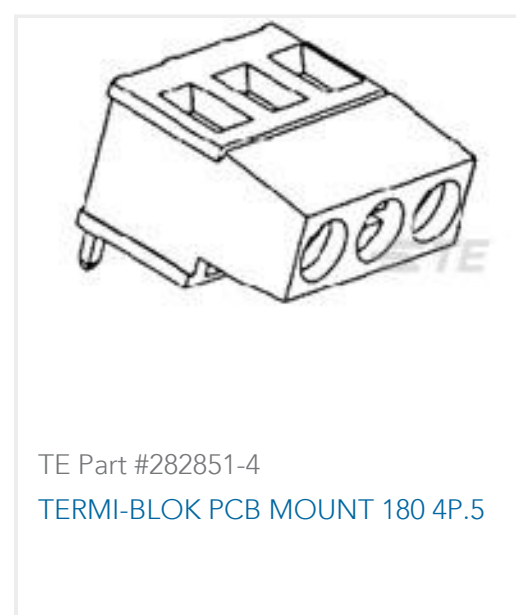
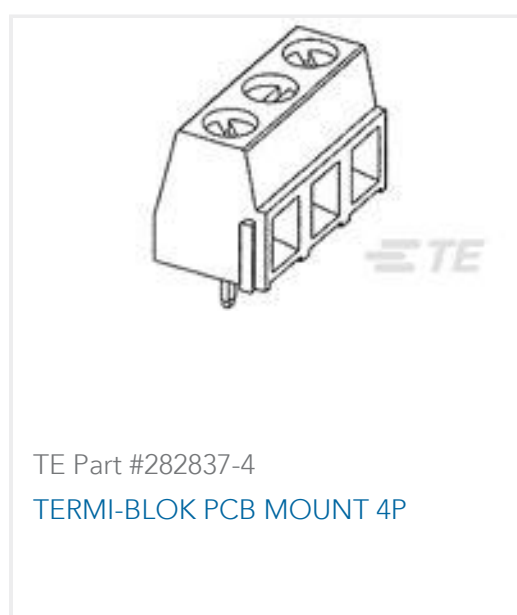
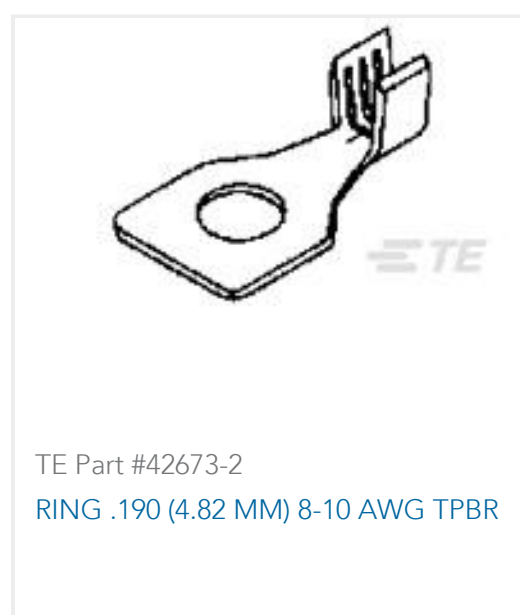
| | | | |
|--|--|--|--|
|  <p>TE Part # 1971777-3 PTL TPA HIGH TEMP 1 x 3 BLACK</p> |  <p>TE Part # CAT-P87074-T111 Tab Contact — POWER TRIPLE LOCK</p> |  <p>TE Part # 1452426-1 EXTRACTION TOOL</p> |  <p>TE Part # 4-1971773-3 PTL 1X3 PLUG HSG STD TEMP KEY D YEL</p> |
|--|--|--|--|

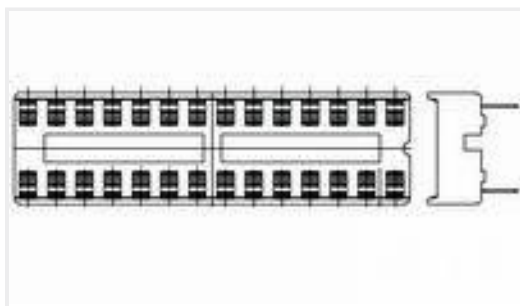


Also in the Series | Power Triple Lock



Customers Also Bought





TE Part #1-2199298-3
14P,DIP SKT,300 CL,LDR,PB FREE



TE Part #5747840-6
HD-20 PLUG RA .318 FMS BD-LK S

Documents

Product Drawings

[PTL 1X3 CAP PANEL MT STD TEMP KEY D YEL](#)

English

CAD Files

[3D PDF](#)

3D

Customer View Model

[ENG_CVM_CVM_4-1971772-3_E.2d_dxf.zip](#)

English

Customer View Model

[ENG_CVM_CVM_4-1971772-3_E.3d_igs.zip](#)

English

Customer View Model

[ENG_CVM_CVM_4-1971772-3_E.3d_stp.zip](#)

English

By downloading the CAD file I accept and agree to the [Terms and Conditions](#) of use.

Product Specifications

[Application Specification](#)

English

Instruction Sheets

[Instruction Sheet \(U.S.\)](#)

English