

41661 ✓ ACTIVE

AMP

TE Internal #: 41661

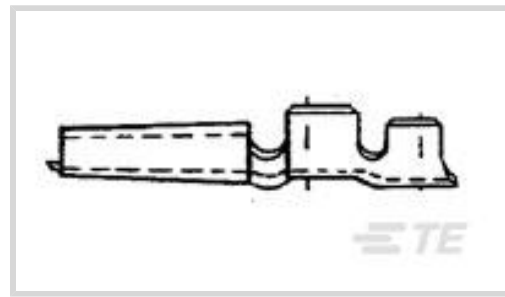
Taper Pin Power Terminal, 1 Position, Terminates To Wire, 24 – 22

AWG, .205 – .326 mm² Wire, Stamped & Formed, Tin (Sn)

[View on TE.com >](#)



Terminals & Splices > Power Terminals



Power Terminal Type: **Taper Pin Power Terminal**

Product Terminates To: **Wire**

Wire Size: **.205 – .326 mm²**

Number of Positions: **1**

Features

Product Type Features

Power Terminal Type	Taper Pin Power Terminal
---------------------	--------------------------

Configuration Features

Strip Orientation	End Feed
Number of Positions	1

Body Features

Terminal Profile	Standard
------------------	----------

Contact Features

Wire Contact Termination Area Plating Thickness	1 – 27 μm[1 – 27 μin]
Terminal Orientation	Straight
Contact Mating Area Plating Material Finish	Bright
Contact Current Rating (Max)	5 A
Contact Fabrication	Stamped & Formed
Contact Mating Area Plating Material	Tin (Sn)
Contact Mating Area Plating Material Thickness	1 – 27 μm[50 – 0 μin]
PCB Contact Termination Area Plating Material	Brass Alloy
Wire Contact Termination Area Plating Material	Tin
Contact Base Material	Brass

Termination Features

Product Terminates To	Wire
-----------------------	------



Dimensions

Wire Size	.205 – .326 mm ²
Product Length	13.7 mm[.54 in]

Usage Conditions

Insulation Option	Uninsulated
Operating Temperature Range	-55 – 105 °C[-67 – 221 °F]

Packaging Features

Packaging Quantity	1000
--------------------	------

Product Compliance

[For compliance documentation, visit the product page on TE.com>](#)

EU RoHS Directive 2011/65/EU	Not Compliant
EU ELV Directive 2000/53/EC	Not Compliant
China RoHS 2 Directive MIIT Order No 32, 2016	Restricted Materials Above Threshold
EU REACH Regulation (EC) No. 1907/2006	Current ECHA Candidate List: JAN 2025 (247) Candidate List Declared Against: JUNE 2023 (235) SVHC > Threshold: Pb (13% in component) Article Safe Usage Statements: Do not eat, drink or smoke when using this product. Wash thoroughly after handling. Recycle if possible and dispose of the article by following all applicable governmental regulations relevant to your geographic location.
Halogen Content	Not Yet Reviewed for halogen content
Solder Process Capability	Not applicable for solder process capability

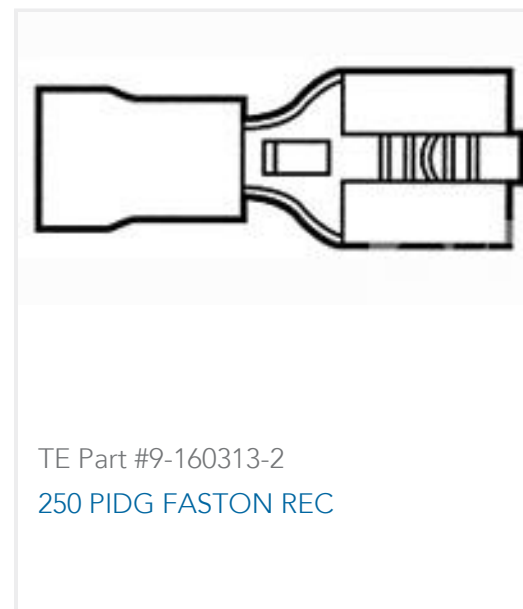
Product Compliance Disclaimer

This information is provided based on reasonable inquiry of our suppliers and represents our current actual knowledge based on the information they provided. This information is subject to change. The part numbers that TE has identified as EU RoHS compliant have a maximum concentration of 0.1% by weight in homogenous materials for lead, hexavalent chromium, mercury, PBB, PBDE, DBP, BBP, DEHP, DIBP, and 0.01% for cadmium, or qualify for an exemption to these limits as defined in the Annexes of Directive 2011/65/EU (RoHS2). Finished electrical and electronic equipment products will be CE marked as required by Directive 2011/65/EU. Components may not be CE marked. Additionally, the part numbers that TE has identified as EU ELV compliant have a maximum concentration of 0.1% by weight in homogenous materials for lead, hexavalent chromium, and mercury, and 0.01% for cadmium, or qualify for an exemption to these limits as defined in the Annexes of Directive 2000/53/EC (ELV). Regarding the REACH Regulations, TE’s information on SVHC in articles for this part number is still based on the European Chemical Agency (ECHA) ‘Guidance on requirements for substances in articles’(Version: 2, April 2011), applying the 0.1% weight on weight concentration threshold at the finished product level. TE is aware of the European Court of Justice ruling of September 10th, 2015 also known as O5A (Once An Article Always An Article) stating that, in case of ‘complex object’, the threshold for a SVHC must be applied to both the product as a whole and simultaneously to each of the articles forming part of its composition. TE has evaluated this ruling based on the new ECHA “Guidance on requirements for substances in articles” (June 2017, version 4.0) and will be updating its statements accordingly.

Compatible Parts



Customers Also Bought



Documents

Product Drawings

TAPER PIN

English

CAD Files

3D PDF

3D

Customer View Model

[ENG_CVM_CVM_41661_CT.2d_dxf.zip](#)

English

Customer View Model

[ENG_CVM_CVM_41661_CT.3d_igs.zip](#)

English

Customer View Model

[ENG_CVM_CVM_41661_CT.3d_stp.zip](#)



English

By downloading the CAD file I accept and agree to the [Terms and Conditions](#) of use.

Product Specifications

Product Specification

English

Product Specification

English