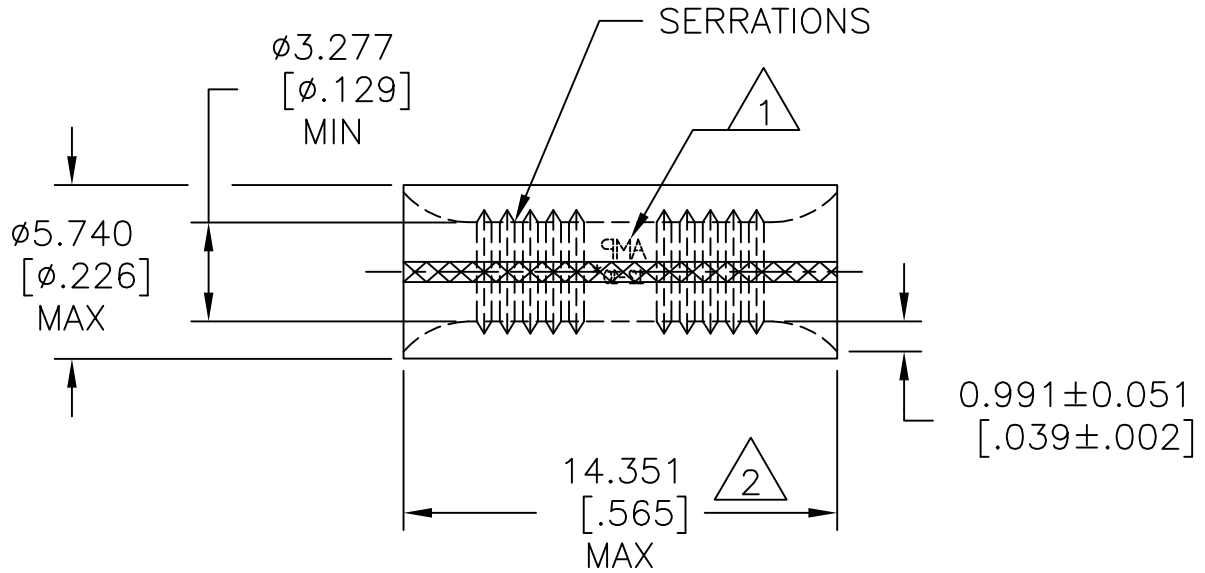


REVISIONS				
P	LTR	DESCRIPTION	DATE	APVD
	E	REVISED PER ECO-17-015605	25OCT2017	RS DR



△ 1 STAMP AMP 12-10\* APPROX AS SHOWN.

△ 2 MAX FEATURE LENGTH DOES NOT INCLUDE MANUFACTURING TABS.

500	LOOSE PIECE	325167
QTY	PACKAGE TYPE	PART NO.

MAX RECOMMENDED OPERATING TEMPERATURE:  
170°C [338°F]

VOLTAGE RATING:  
N/A


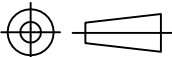
CIRCULAR MIL AREA:  
2.62-6.64mm<sup>2</sup> [5,180-13,100]  
SOLID OR STRANDED

THIS DRAWING IS UNPUBLISHED.

RELEASED FOR PUBLICATION

ALL RIGHTS RESERVED.

COPYRIGHT - TE Connectivity

DIMENSIONS: mm [INCHES]	DWN RAVI S	25OCT2017	MATERIAL COPPER ANNEALED PER ASTM B152	FINISH TIN PLATE, 0.00254[.000100] MIN EXT. THK. PER ASTM B545
	CHK ROHDE DANIEL F	25OCT2017	 TE Connectivity	
TOLERANCES UNLESS OTHERWISE SPECIFIED:	APVD ROHDE DANIEL F	25OCT2017		
0 PLC ± -	PRODUCT SPEC	-		
1 PLC ± -	APPLICATION SPEC	-		
2 PLC ± -	NAME	BUTT SPLICE, SOLISTRAND, NO WIRE STOP, 12-10 AWG		
3 PLC ± 0.127[.005]	SIZE	CAGE CODE	DRAWING NO	RESTRICTED TO
4 PLC ± -	WEIGHT	-	A4 00779	© 325167
ANGLES ± -	CUSTOMER DRAWING		SCALE	4:1
		SHEET		1 OF 1
		REV		E