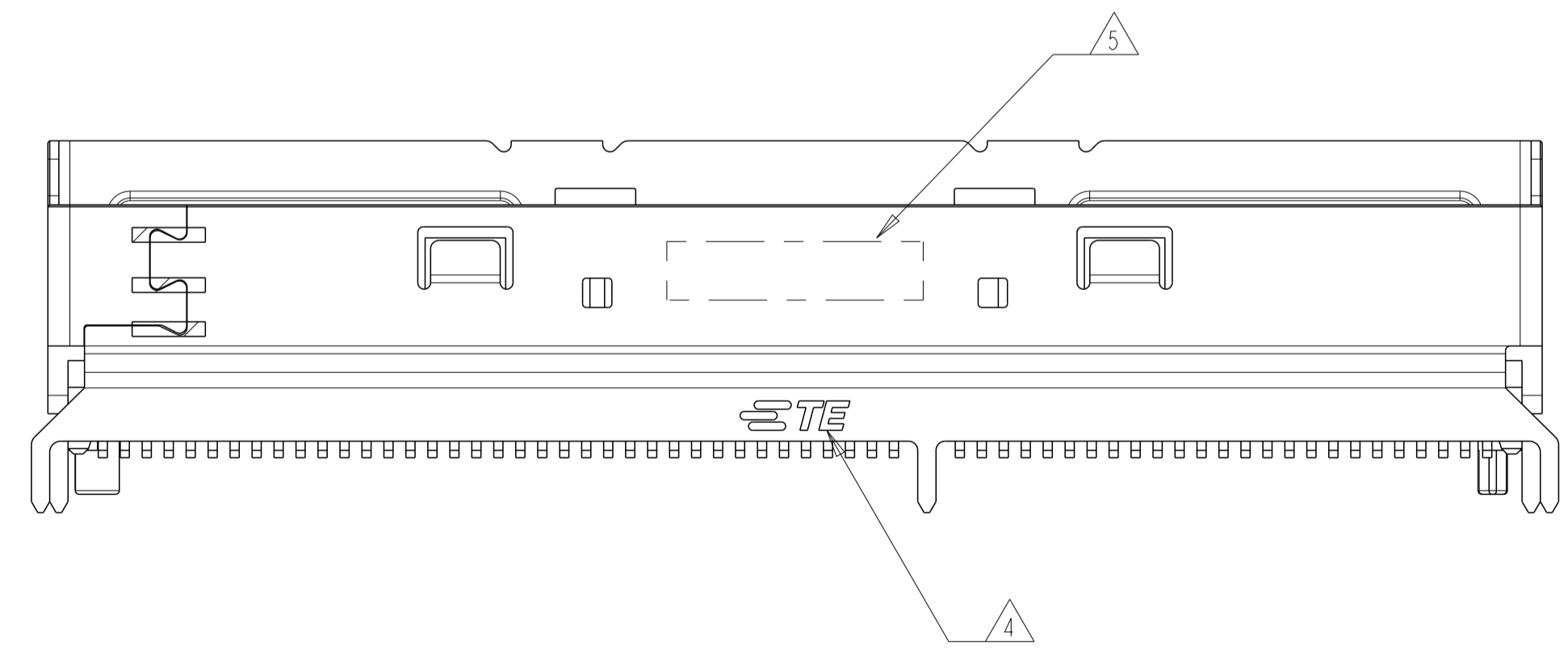
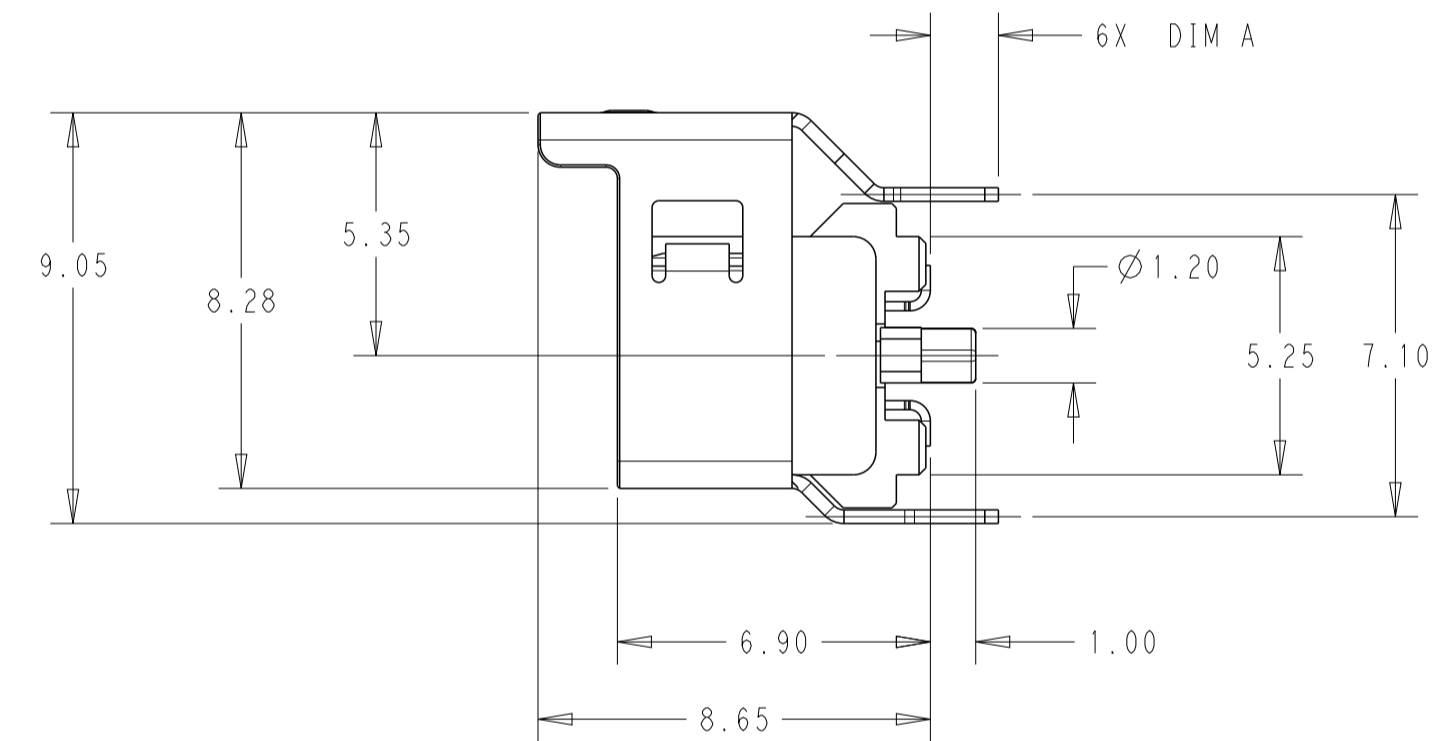
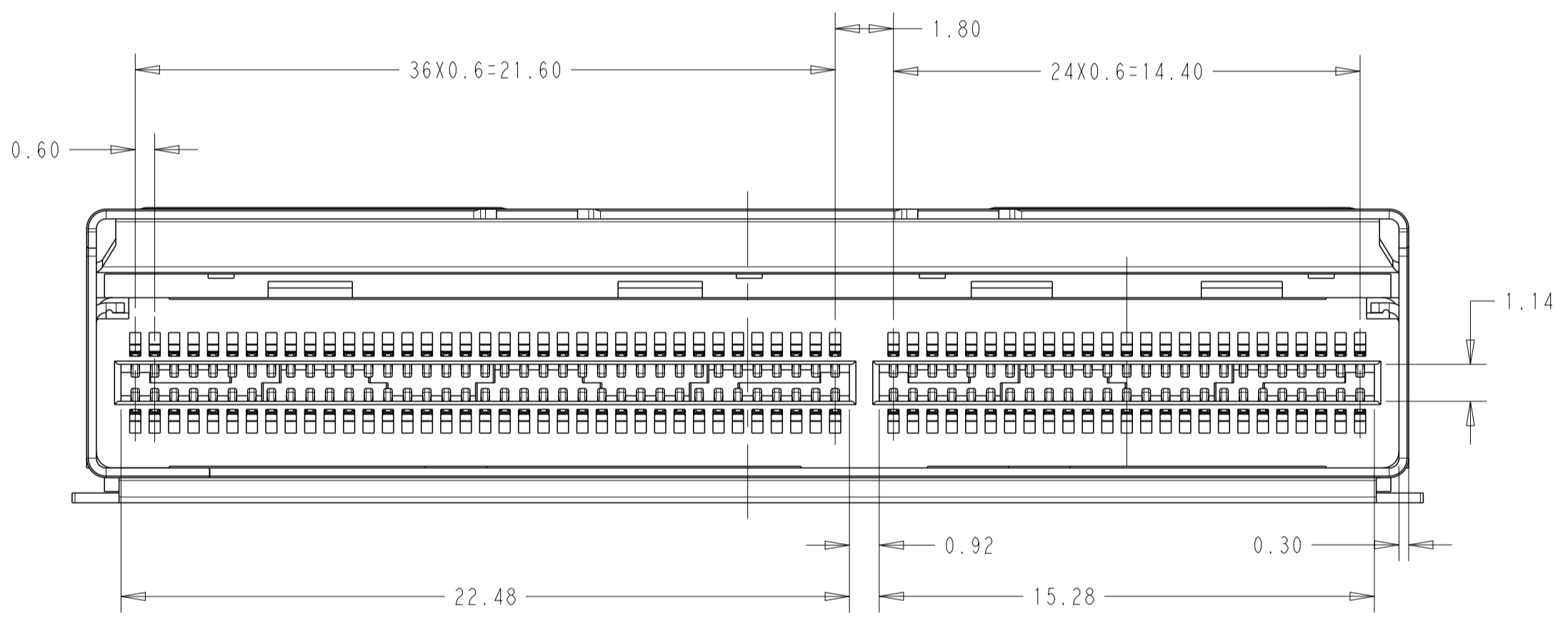
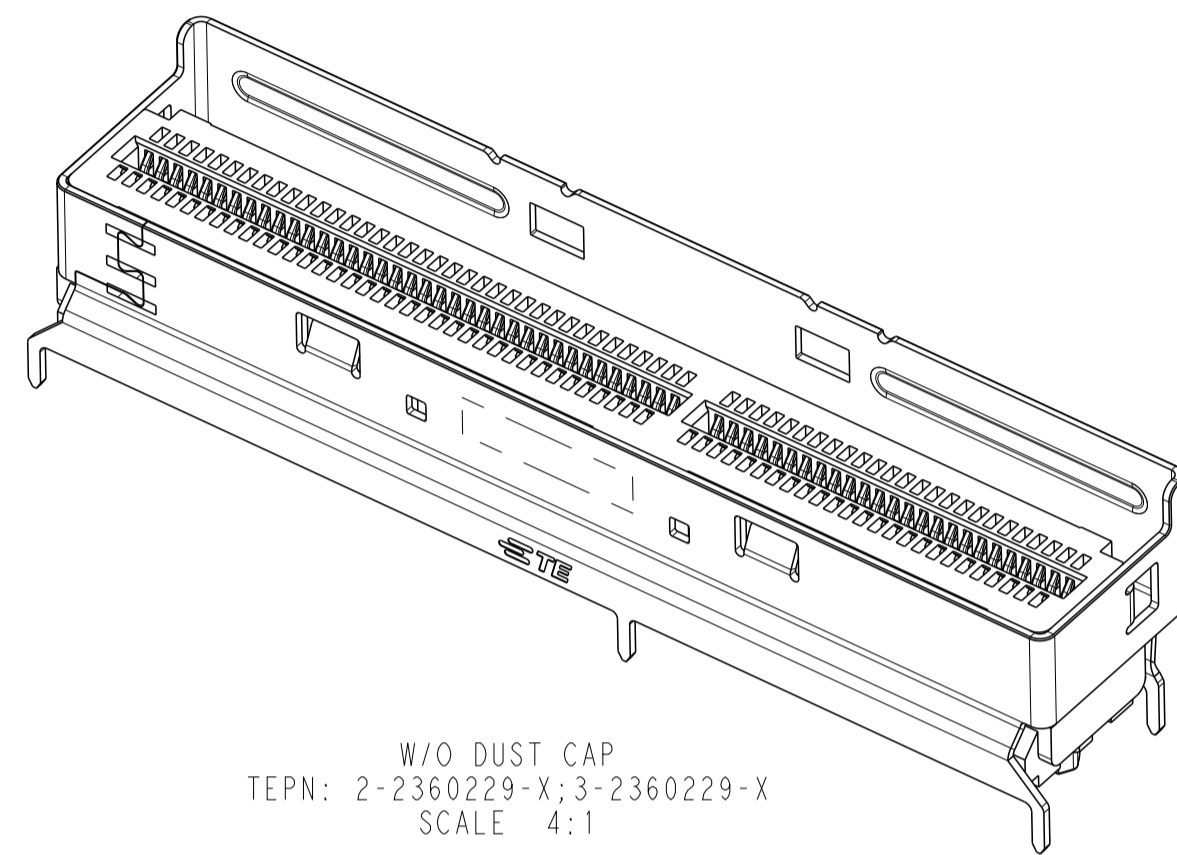
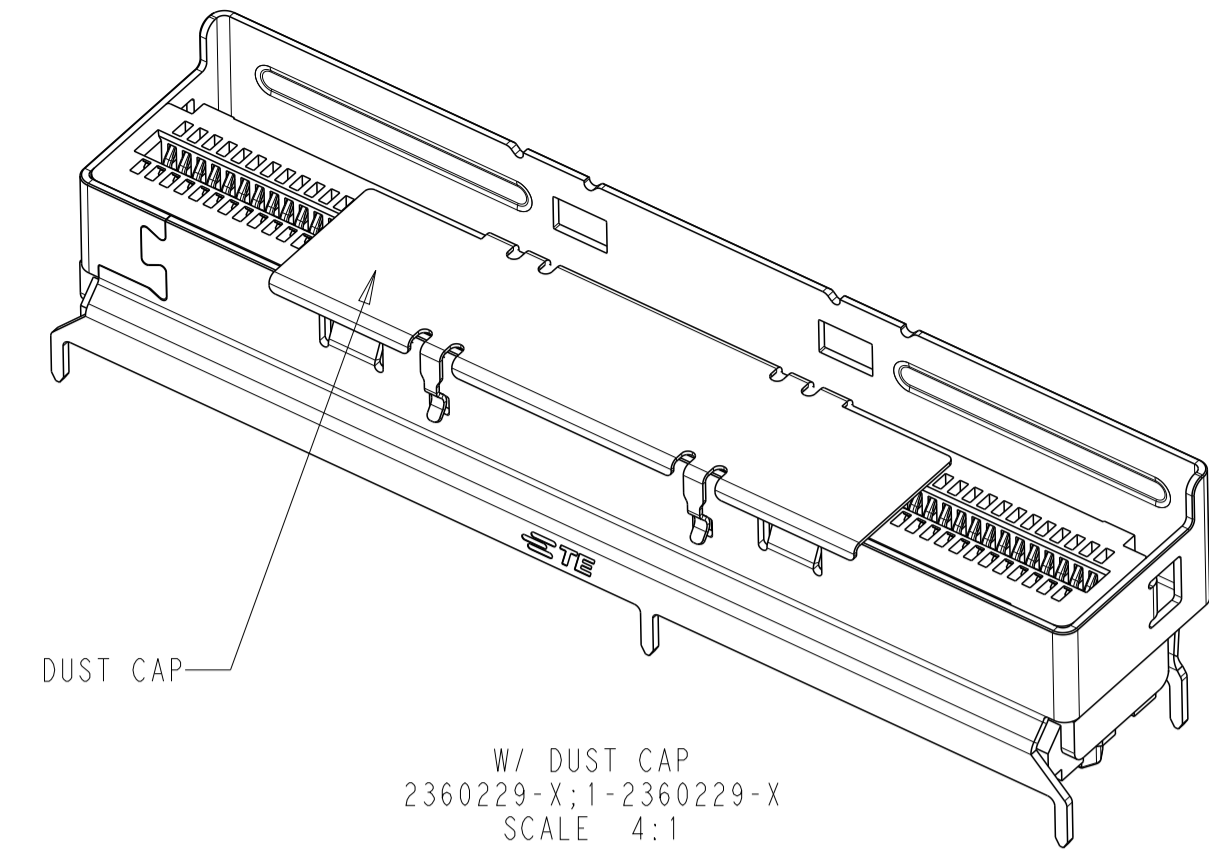
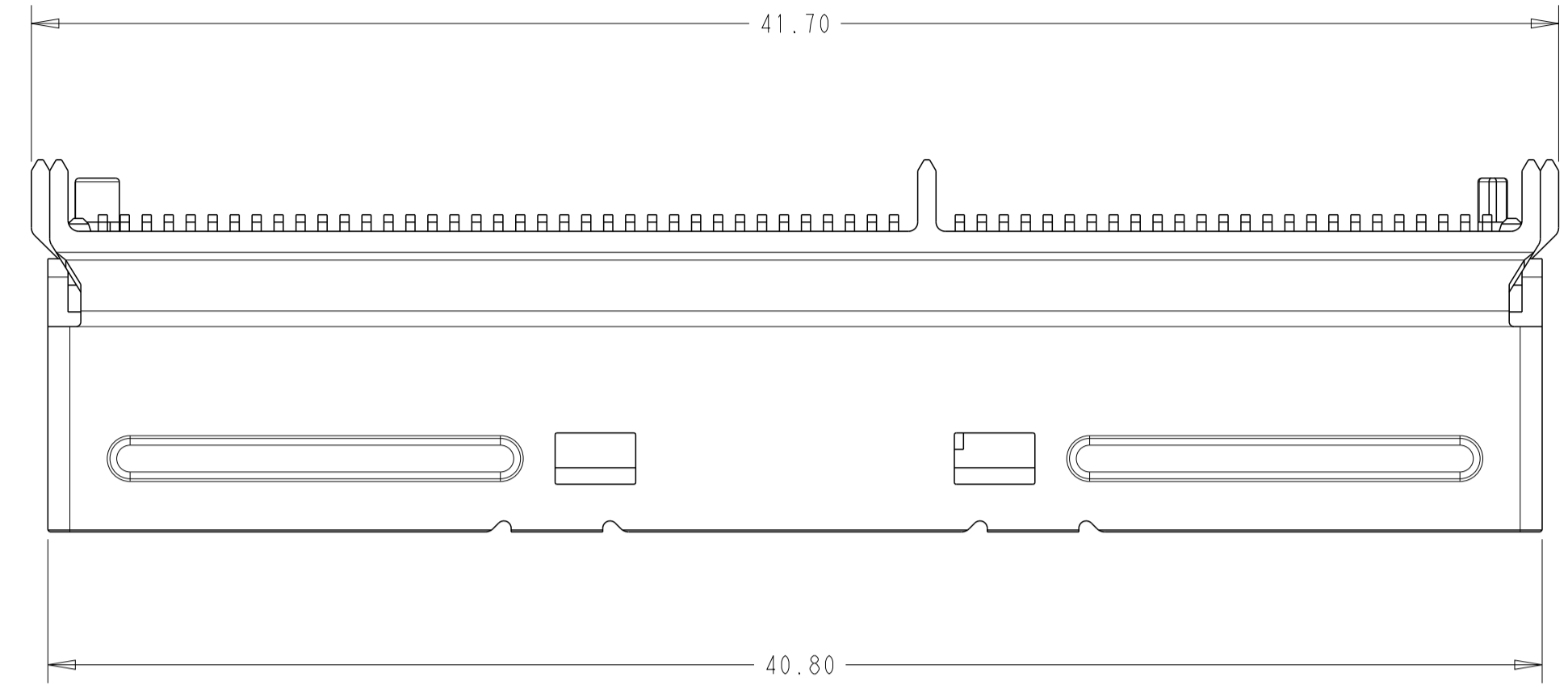


REVISIONS					
P	LTN	DESCRIPTION	DATE	OWN	APVD
6		ADD BLOCK WALLS	17JUN2022	LL	DZ
7		EOL 3-2360229-6	26AUG2023	WZ	DZ
A		AS PER ECN-25-314638	02APR2025	AD	JM
A1		REVISED PER ECR-25-257351	23SEP2025	AD	JM

- NOTES:
- MATERIALS:
 PLASTICS: HIGH TEMPERATURE THERMOPLASTIC UL94V-0, COLOR: BLACK.
 SHELL: STAINLESS
 CONTACT: COPPER ALLOY
 DUST CAP: STAINLESS.
 - FINISH:
 TERMINAL: CONTACT AREA: SELECTED GOLD PLATING, SEE TABLE.
 SOLDER AREA: MATTE TIN PLATING 100u".
 UNDER PLATING: NICKEL PLATING 50u" MIN OVER ALL.
 SHELL: UNDER PLATING: ELECTROLESS NICKEL PLATING 50u" MIN OVERALL.
 - HALOGEN REQUIREMENT MEET CODE 2: LOW BR/CL AS DEFINED IN TEC-138-702.
 - TE CONNECTIVITY LOGO MARKED IN APPROXIMATE AREA SHOWN.
 - PART NUMBER AND DATE CODE MARKED IN APPROXIMATE AREA SHOWN.
 - TAPE AND REEL PACKAGED FOR PICK AND PLACE SMT PROCESSING. SEE FIGURE 1. POCKET TAPE WIDTH = 72MM.
 - PACKAGING MEETS MSL 2 SPEC



QUANTITY / CARTON	QUANTITY / REEL	CAP OPTION	OPTIONS	CONTACT FINISH	DIM A	PART NUMBER
750PCS	250PCS	W/O DUST CAP	STANDARD CONSTRUCTION	30u" GOLD	4.20MM	3-2360229-8
					3.00MM	3-2360229-7
				15u" GOLD	1.50MM	3-2360229-5
					4.20MM	3-2360229-4
				30u" GOLD	3.00MM	3-2360229-3
					2.20MM	3-2360229-2
			NO RESONANCE DAMPING	30u" GOLD	1.50MM	3-2360229-1
					4.20MM	2-2360229-8
				15u" GOLD	3.00MM	2-2360229-7
					2.20MM	2-2360229-6
				30u" GOLD	1.50MM	2-2360229-5
					4.20MM	2-2360229-4
		W/ DUST CAP	STANDARD CONSTRUCTION	30u" GOLD	4.20MM	1-2360229-8
					3.00MM	1-2360229-7
				15u" GOLD	2.20MM	1-2360229-6
					1.50MM	1-2360229-5
				30u" GOLD	4.20MM	1-2360229-4
					3.00MM	1-2360229-3
			NO RESONANCE DAMPING	30u" GOLD	2.20MM	1-2360229-2
					1.50MM	1-2360229-1
				15u" GOLD	4.20MM	2360229-8
					3.00MM	2360229-7
				30u" GOLD	2.20MM	2360229-6
					1.50MM	2360229-5
15u" GOLD	4.20MM	2360229-4				
	3.00MM	2360229-3				
30u" GOLD	2.20MM	2360229-2				
	1.50MM	2360229-1				

THIS DRAWING IS A CONTROLLED DOCUMENT. DWN: LEO LI 17SEP2019
 CHK: DAVID ZHANG 17SEP2019
 APVD: DAVID ZHANG 17SEP2019

TE Connectivity

NAME: LOW PROFILE SLIM SAS RECEPTACLE VERTICAL X16, 124P

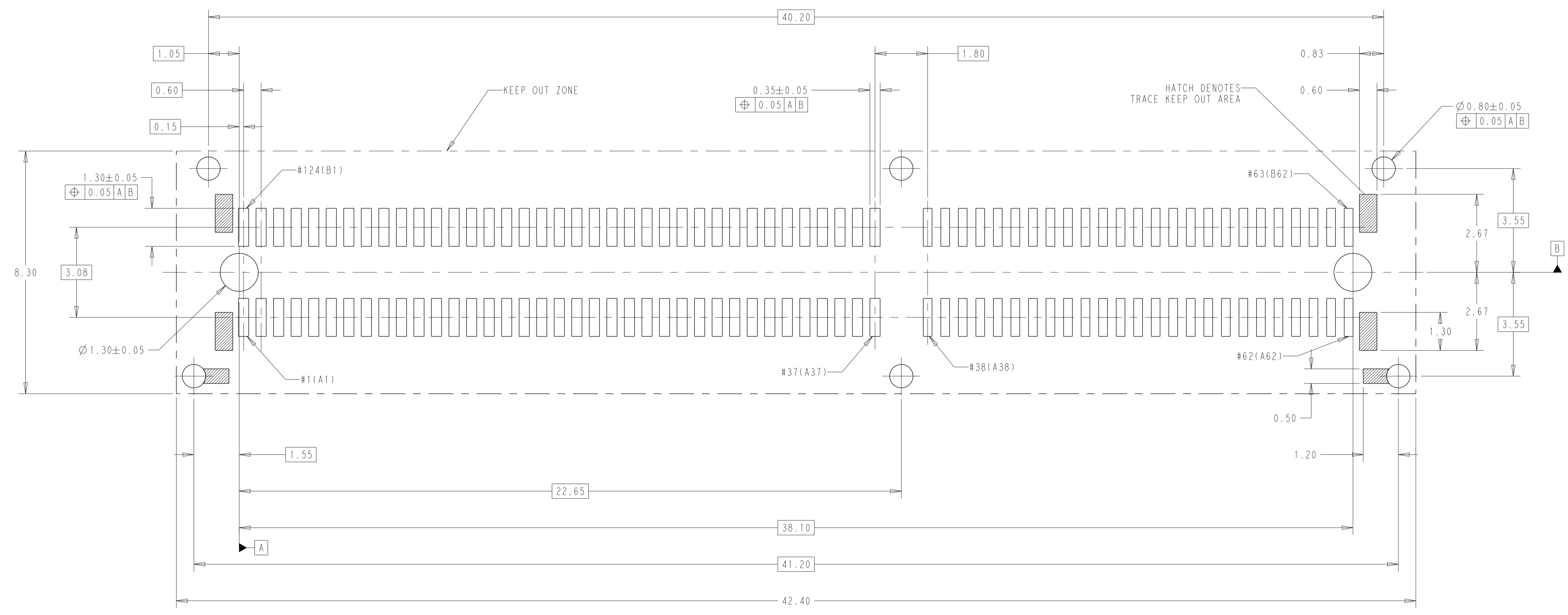
PRODUCT SPEC: 108-60134
 APPLICATION SPEC: -

SIZE: A1 CAGE CODE: 00779 DRAWING NO: 2360229 RESTRICTED TO: -

MATERIAL: SEE NOTES FINISH: SEE NOTES WEIGHT: - SCALE: 6:1 SHEET 1 OF 3 REV: A1

CUSTOMER DRAWING

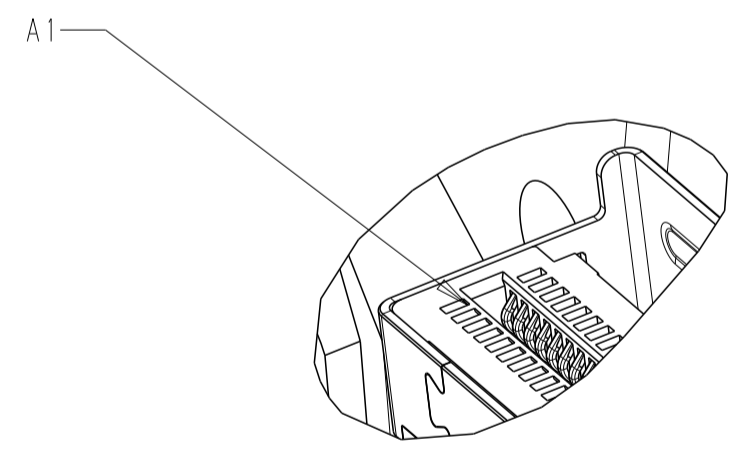
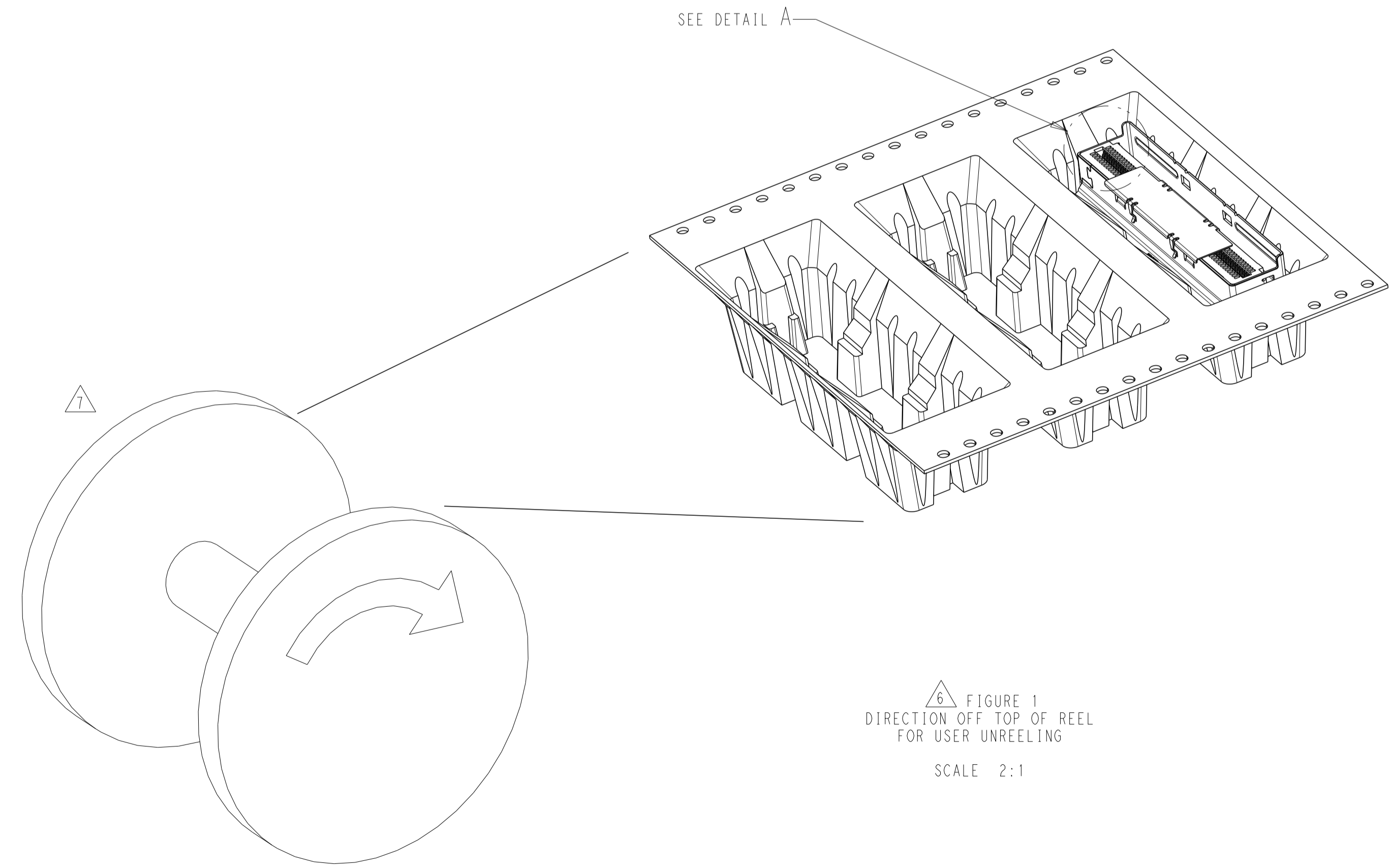
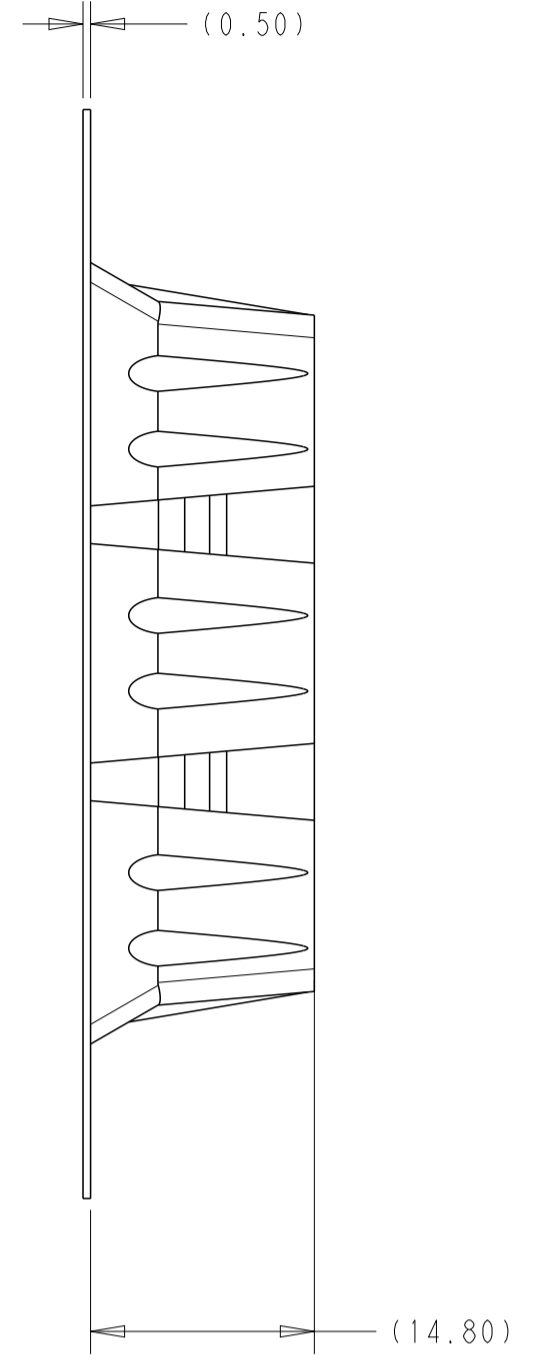
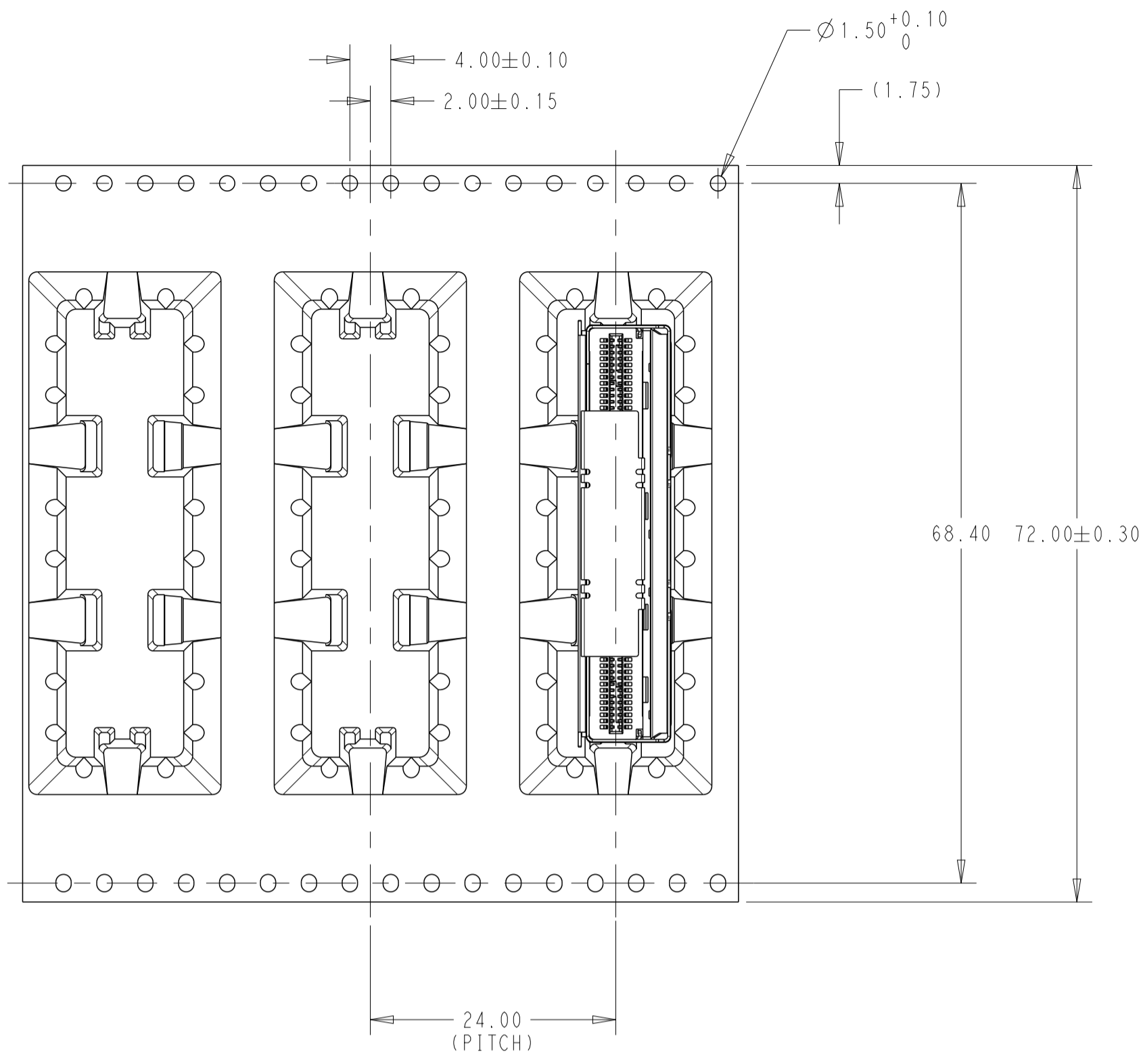
REVISIONS				
P	LTN	DESCRIPTION	DATE	APPD
		SEE SHEET 1		



RECOMMENDED PCB LAYOUT
 GENERAL TOLERANCE: ±0.05
 SCALE 12:1

THIS DRAWING IS A CONTROLLED DOCUMENT.		OWN: LEO LI 17SEP2019	
DIMENSIONS: mm		CHK: DAVID ZHANG 17SEP2019	
TOLERANCES UNLESS OTHERWISE SPECIFIED:		APPD: DAVID ZHANG 17SEP2019	NAME: LOW PROFILE SLIM SAS RECEPTACLE VERTICAL X16, 124P
0 PLC ±0.20	1 PLC ±0.15	PRODUCT SPEC: 108-60134	SIZE: A1
2 PLC ±0.15	3 PLC ±0.15	APPLICATION SPEC: -	CAGE CODE: 00779
4 PLC ±0.15	ANGLES ±0.15	FINISH: -	DRAWING NO: 2360229
MATERIAL: SEE NOTES	FINISH: SEE NOTES	WEIGHT: -	RESTRICTED TO: -
CUSTOMER DRAWING		SCALE: 6:1	SHEET 2 OF 3

REVISIONS				
P	LTN	DESCRIPTION	DATE	APVD
-	SEE SHEET 1		-	-



DETAIL A
SCALE 5:1

THIS DRAWING IS A CONTROLLED DOCUMENT.		OWN: LEO LI 17SEP2019	
DIMENSIONS: mm		CHK: DAVID ZHANG 17SEP2019	
TOLERANCES UNLESS OTHERWISE SPECIFIED:		APVD: DAVID ZHANG 17SEP2019	NAME: LOW PROFILE SLIM SAS RECEPTACLE VERTICAL X16, 124P
0 PLC ±	1 PLC ±0.20	PRODUCT SPEC: 108-60134	SIZE: A
2 PLC ±0.15	3 PLC ±	APPLICATION SPEC: -	CAGE CODE: 00779
4 PLC ±	ANGLES ±	WEIGHT: -	DRAWING NO: C=2360229
FINISH: -	SEE NOTES	CUSTOMER DRAWING	RESTRICTED TO: -
SCALE: 6:1		SHEET 3 OF 3	