

3-2308295-1 ✓ ACTIVE

AMP | AMP MCP Connector System

TE Internal #: 3-2308295-1

1 Position Housing, Housing for Female Terminals, Wire-to-Board, Black, Wire & Cable, Power, Cable Mount (Free-Hanging), AMP MCP Connector System

[View on TE.com >](#)



Automotive Parts > Automotive Connectors > Automotive Housings > AMP Unsealed Connector Housing



Connector & Housing Type: **Housing for Female Terminals**

Number of Positions: 1

Sealable: **No**

Operating Temperature Range: **-40 – 105 °C [ -40 – 221 °F ]**

Connector Position Assurance Capable: **No**

[All AMP Unsealed Connector Housing \(109\)](#)

## Features

### Product Type Features

Mixed & Hybrid Connector	No
Connector Shape	Rectangular
Connector & Housing Type	Housing for Female Terminals
Sealable	No
Primary Locking Feature	Integrated in Housing
Connector System	Wire-to-Board
Connector & Contact Terminates To	Wire & Cable

### Configuration Features

Number of Positions	1
---------------------	---

### Electrical Characteristics

Operating Voltage	60 VDC
Nominal Voltage Architecture	12 V, 24 V



### Body Features

Cable Exit Angle	90°
Primary Product Color	Black
Connector & Keying Code	C

### Contact Features

Contact Size	10mm
Contact Type	Receptacle
Mating Tab Width	10 mm[.393 in]

### Mechanical Attachment

Strain Relief	Without
Terminal Position Assurance	No
Mating Alignment Type	Keyed
Mating Alignment	With
Connector Mounting Type	Cable Mount (Free-Hanging)

### Housing Features

Housing Material	PBT GF10
------------------	----------

### Dimensions

Product Width	24.9 mm[.978 in]
Product Length	45 mm[1.77 in]
Connector Height	19.5 mm[.767 in]

### Usage Conditions

Operating Temperature Range	-40 – 105 °C[-40 – 221 °F]
Operating Temperature (Max)	105 °C[221 °F]

### Operation/Application

Circuit Application	Power
---------------------	-------

### Industry Standards

IP Rating	IP20
Compatible With Agency/Standards Products	LV214
UL Flammability Rating	UL 94V-0

### Packaging Features

Packaging Quantity	800
Packaging Method	Box



Other

Serviceable	No
Connector Position Assurance Capable	No

Product Compliance

[For compliance documentation, visit the product page on TE.com>](#)

EU RoHS Directive 2011/65/EU	Compliant
EU ELV Directive 2000/53/EC	Compliant
China RoHS 2 Directive MIIT Order No 32, 2016	No Restricted Materials Above Threshold
EU REACH Regulation (EC) No. 1907/2006	Current ECHA Candidate List: JAN 2025 (247) Candidate List Declared Against: JAN 2025 (247) Does not contain REACH SVHC
Halogen Content	Not Low Halogen - contains Br or Cl > 900 ppm.
Solder Process Capability	Not reviewed for solder process capability

Product Compliance Disclaimer

This information is provided based on reasonable inquiry of our suppliers and represents our current actual knowledge based on the information they provided. This information is subject to change. The part numbers that TE has identified as EU RoHS compliant have a maximum concentration of 0.1% by weight in homogenous materials for lead, hexavalent chromium, mercury, PBB, PBDE, DBP, BBP, DEHP, DIBP, and 0.01% for cadmium, or qualify for an exemption to these limits as defined in the Annexes of Directive 2011/65/EU (RoHS2). Finished electrical and electronic equipment products will be CE marked as required by Directive 2011/65/EU. Components may not be CE marked. Additionally, the part numbers that TE has identified as EU ELV compliant have a maximum concentration of 0.1% by weight in homogenous materials for lead, hexavalent chromium, and mercury, and 0.01% for cadmium, or qualify for an exemption to these limits as defined in the Annexes of Directive 2000/53/EC (ELV). Regarding the REACH Regulation, the information TE provides on SVHC in articles for this part number is based on the latest European Chemicals Agency (ECHA) 'Guidance on requirements for substances in articles' posted at this URL: <https://echa.europa.eu/guidance-documents/guidance-on-reach>

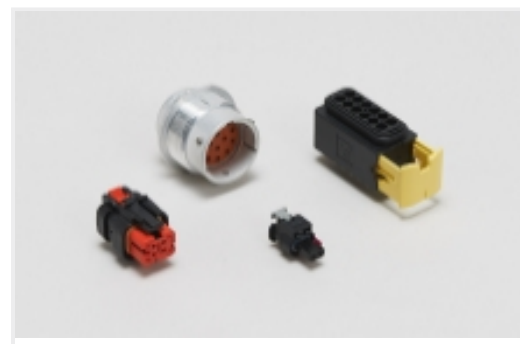
Compatible Parts

 <p>TE Part # 8-1579028-2 EXTRACTION TOOL</p>	 <p>TE Part # 1-2840573-2 PCON12,TERMINAL,FAM SLD/UNSLD</p>	 <p>TE Part # 1-2840573-1 PCON12,TERMINAL,FAM SLD/UNSLD</p>
--	--	--

Also in the Series | [AMP MCP Connector System](#)



Automotive Connector Caps & Covers (25)



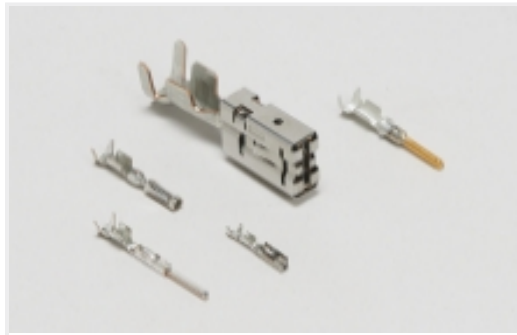
Automotive Housings(257)



Automotive Signal & Power Connector Housings(103)



Automotive Signal & Power Headers(9)



Automotive Terminals(7)

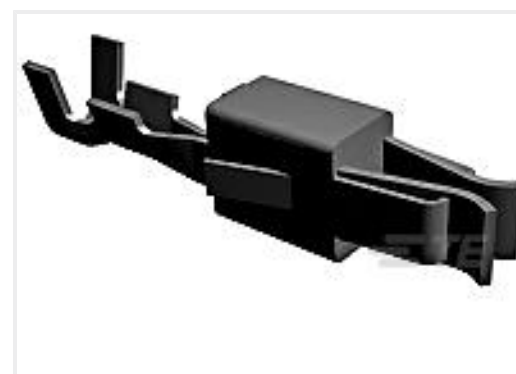
### Customers Also Bought



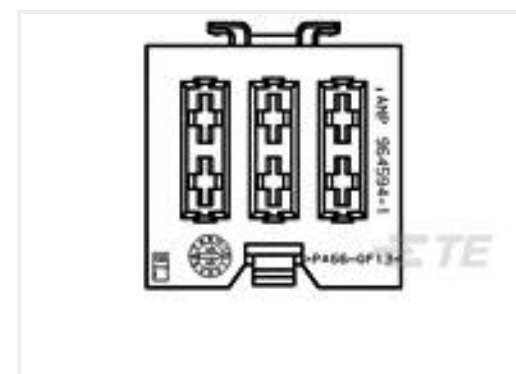
TE Part #K1148741  
Relay 29-111-02-947



TE Part #185311-1  
6POS MQS REC



TE Part #927768-6  
JPT REC 2.8 Contact SRC Ag



TE Part #964594-1  
HALTER F3XSICHERG C



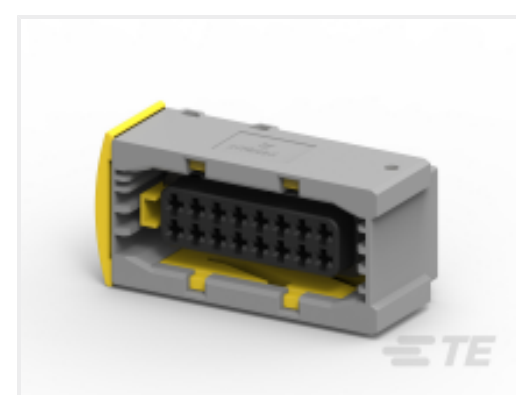
TE Part #1-968720-2  
32pos MQS .63 header 90deg THR



TE Part #1623931-8  
CFR25 5% 33K



TE Part #7-1623931-7  
CFR25 5% 820R



TE Part #1718149-2  
AMP MCP 2.8 SOCKET HSG 16 POS. ASSY



TE Part #1-2112162-1  
21POS,TAB 2.8X0.8,TAB HSG,SEALED ASSY



TE Part #1-2840575-1  
PCON12,TERMINAL,FAM SLD/UNSLD

### Documents



### Product Drawings

[1POS,PCON12,REC HSG,90 DEG,UNSLD,COD C](#)

English

---

### CAD Files

[3D PDF](#)

3D

Customer View Model

[ENG\\_CVM\\_CVM\\_3-2308295-1\\_A.2d\\_dxf.zip](#)

English

Customer View Model

[ENG\\_CVM\\_CVM\\_3-2308295-1\\_A.3d\\_igs.zip](#)

English

Customer View Model

[ENG\\_CVM\\_CVM\\_3-2308295-1\\_A.3d\\_stp.zip](#)

English

By downloading the CAD file I accept and agree to the [Terms and Conditions](#) of use.

---

### Product Specifications

[Engineering Specification](#)

English