



Product Compliance

[For compliance documentation, visit the product page on TE.com>](#)

EU RoHS Directive 2011/65/EU	Compliant
EU ELV Directive 2000/53/EC	Compliant
China RoHS 2 Directive MIIT Order No 32, 2016	No Restricted Materials Above Threshold
EU REACH Regulation (EC) No. 1907/2006	Current ECHA Candidate List: JAN 2025 (247) Candidate List Declared Against: JAN 2025 (247) Does not contain REACH SVHC
Halogen Content	Low Halogen - Br, Cl, F, I < 900 ppm per homogenous material. Also BFR/CFR/PVC Free
Solder Process Capability	Not applicable for solder process capability

Product Compliance Disclaimer

This information is provided based on reasonable inquiry of our suppliers and represents our current actual knowledge based on the information they provided. This information is subject to change. The part numbers that TE has identified as EU RoHS compliant have a maximum concentration of 0.1% by weight in homogenous materials for lead, hexavalent chromium, mercury, PBB, PBDE, DBP, BBP, DEHP, DIBP, and 0.01% for cadmium, or qualify for an exemption to these limits as defined in the Annexes of Directive 2011/65/EU (RoHS2). Finished electrical and electronic equipment products will be CE marked as required by Directive 2011/65/EU. Components may not be CE marked. Additionally, the part numbers that TE has identified as EU ELV compliant have a maximum concentration of 0.1% by weight in homogenous materials for lead, hexavalent chromium, and mercury, and 0.01% for cadmium, or qualify for an exemption to these limits as defined in the Annexes of Directive 2000/53/EC (ELV). Regarding the REACH Regulation, the information TE provides on SVHC in articles for this part number is based on the latest European Chemicals Agency (ECHA) 'Guidance on requirements for substances in articles' posted at this URL: <https://echa.europa.eu/guidance-documents/guidance-on-reach>

Compatible Parts



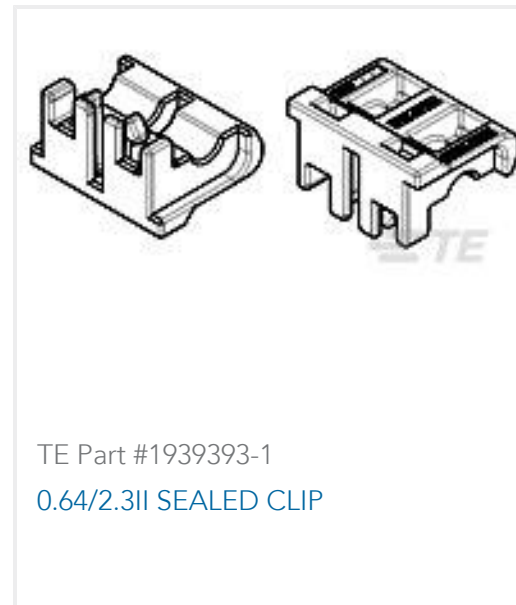
Customers Also Bought



TE Part #CAT-T319-CH8172
TH/.025 CONNECTOR SYSTEM,
HOUSING



TE Part #1612281-1
SEALED 0.64/2.3II 126POS LEVER



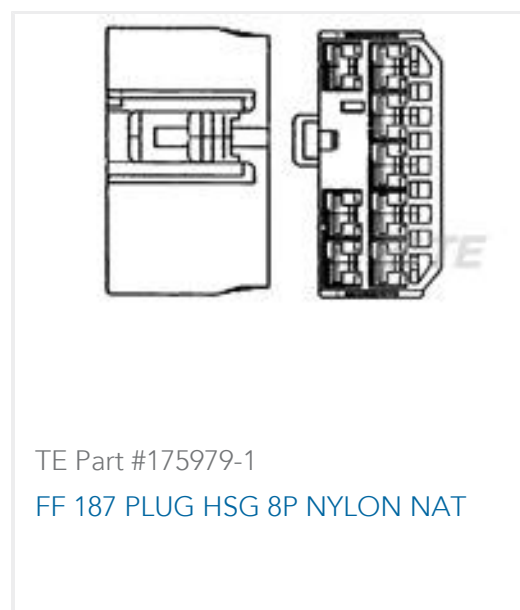
TE Part #1939393-1
0.64/2.3II SEALED CLIP



TE Part #2013360-2
0.50/1.0 SEALED WIRE COVER 140POS



TE Part #2260813-2
0.5/2.8 SEALED PLUG ASSY 62POS



TE Part #175979-1
FF 187 PLUG HSG 8P NYLON NAT



TE Part #316013-1
040 PAIR MATE PLUG HSG ASY 16P



TE Part #316022-1
040 PAIR MATE PLUG HSG ASY 34P

Documents

Product Drawings

040 PAIR MATE PLUG HSG ASY 28P

Japanese

CAD Files

Customer View Model

[ENG_CVM_316019-6_A.3d_igs.zip](#)

English

Customer View Model

[ENG_CVM_316019-6_A.3d_stp.zip](#)

English

Customer View Model

[ENG_CVM_316019-6_A.2d_dxf.zip](#)

English

3D PDF

English

By downloading the CAD file I accept and agree to the [Terms and Conditions](#) of use.

Product Specifications

.040II Series Pair Mate Connector for Wire-to-Board Termination

Japanese

Product Specification

Japanese