

Product Compliance

[For compliance documentation, visit the product page on TE.com>](#)

EU RoHS Directive 2011/65/EU	Compliant
EU ELV Directive 2000/53/EC	Compliant
China RoHS 2 Directive MIIT Order No 32, 2016	No Restricted Materials Above Threshold
EU REACH Regulation (EC) No. 1907/2006	Current ECHA Candidate List: JAN 2025 (247) Candidate List Declared Against: JUNE 2022 (224) Does not contain REACH SVHC
Halogen Content	Not Low Halogen - contains Br or Cl > 900 ppm.
Solder Process Capability	Not applicable for solder process capability

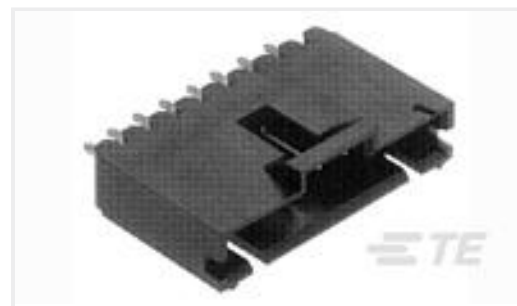
Product Compliance Disclaimer

This information is provided based on reasonable inquiry of our suppliers and represents our current actual knowledge based on the information they provided. This information is subject to change. The part numbers that TE has identified as EU RoHS compliant have a maximum concentration of 0.1% by weight in homogenous materials for lead, hexavalent chromium, mercury, PBB, PBDE, DBP, BBP, DEHP, DIBP, and 0.01% for cadmium, or qualify for an exemption to these limits as defined in the Annexes of Directive 2011/65/EU (RoHS2). Finished electrical and electronic equipment products will be CE marked as required by Directive 2011/65/EU. Components may not be CE marked. Additionally, the part numbers that TE has identified as EU ELV compliant have a maximum concentration of 0.1% by weight in homogenous materials for lead, hexavalent chromium, and mercury, and 0.01% for cadmium, or qualify for an exemption to these limits as defined in the Annexes of Directive 2000/53/EC (ELV). Regarding the REACH Regulation, the information TE provides on SVHC in articles for this part number is based on the latest European Chemicals Agency (ECHA) 'Guidance on requirements for substances in articles' posted at this URL: <https://echa.europa.eu/guidance-documents/guidance-on-reach>

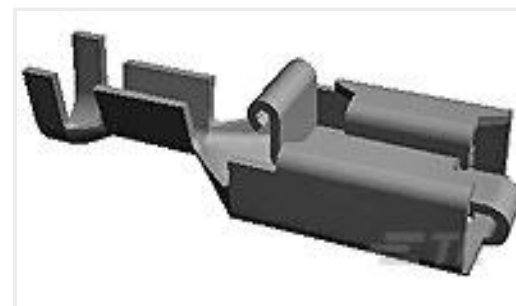
Customers Also Bought



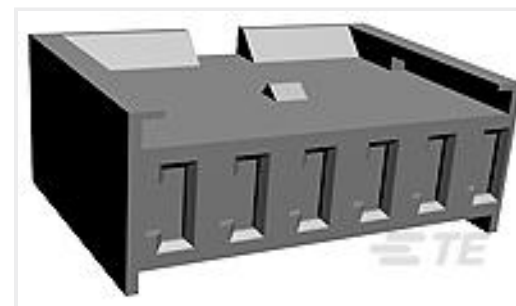
TE Part #5-103908-1
02 MTE HDR SRST LATCH W/HLDWN



TE Part #5-103908-2
03 MTE HDR SRST LATCH W/HLDWN



TE Part #160831-3
250 PL MKI REC. 17-13AWG TPBR



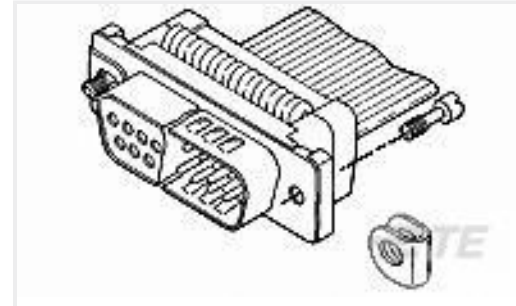
TE Part #280592
AMPMODU I RECEPTACLE HOUSING.



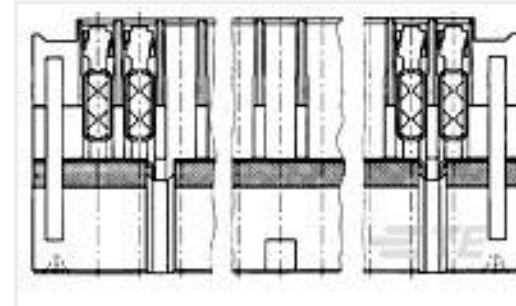
TE Part #1658612-2
25 POS HDF RCPT, MS, LEAD FREE



TE Part #1658676-1
HDP-22,OVRMLD,PLUG KIT,SIZE 2,



TE Part #5746881-2
SCREW RETAINER KIT,BULK PKG



TE Part #5-829376-0
2X25P MODU-MT BULEI



TE Part #747552-3
HDP-20,OVRMLD PLUG SUBASSY,SIZ



TE Part #1102194-1
HE.Q5.BU.C

Documents

CAD Files

[3D PDF](#)

3D

Customer View Model

[ENG_CVM_CVM_2-829376-6_G.2d_dxf.zip](#)

English

Customer View Model

[ENG_CVM_CVM_2-829376-6_G.3d_igs.zip](#)

English

Customer View Model

[ENG_CVM_CVM_2-829376-6_G.3d_stp.zip](#)

English

By downloading the CAD file I accept and agree to the [Terms and Conditions](#) of use.

Product Specifications

[Product Specification](#)

English

[Product Specification](#)

English

