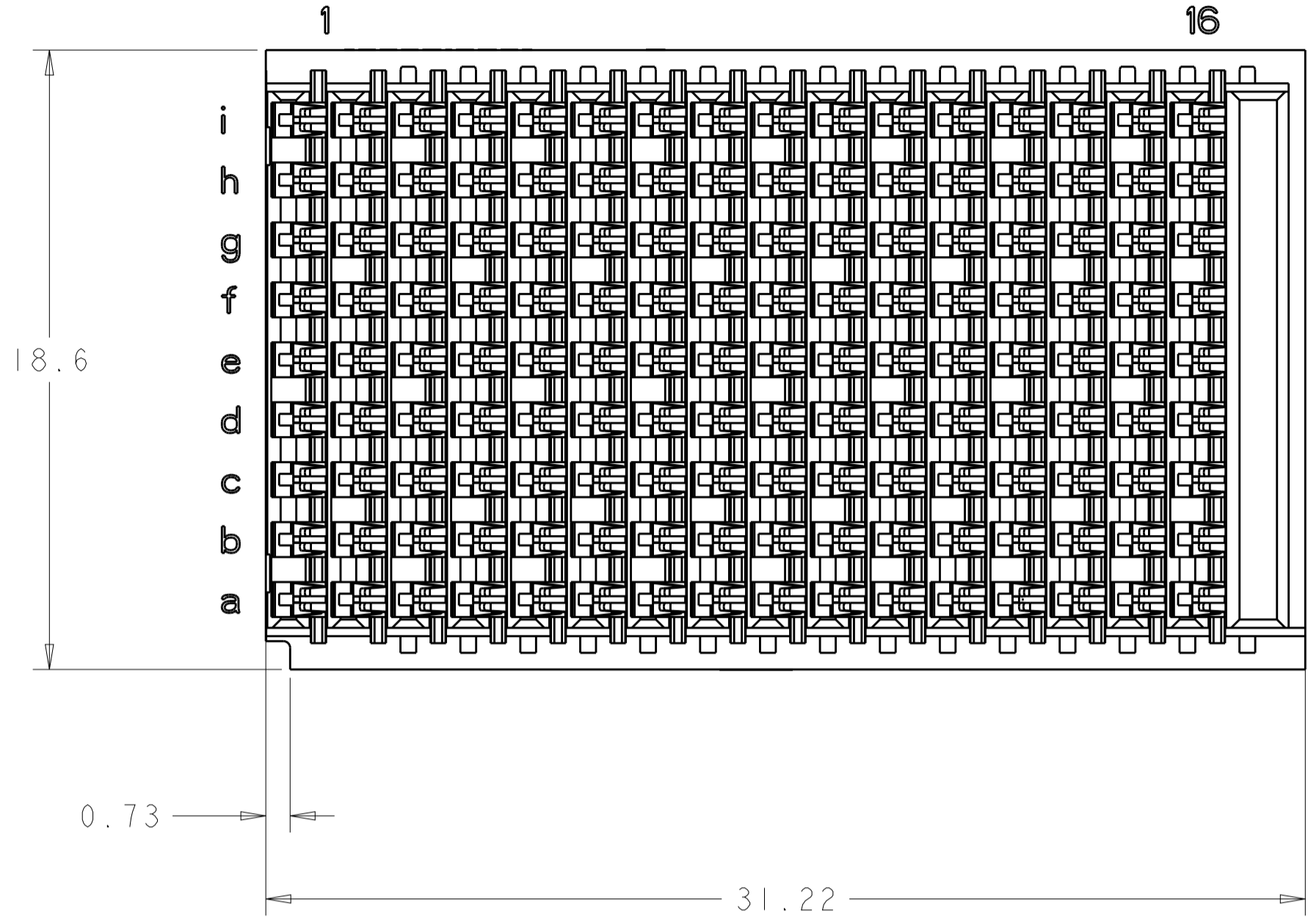
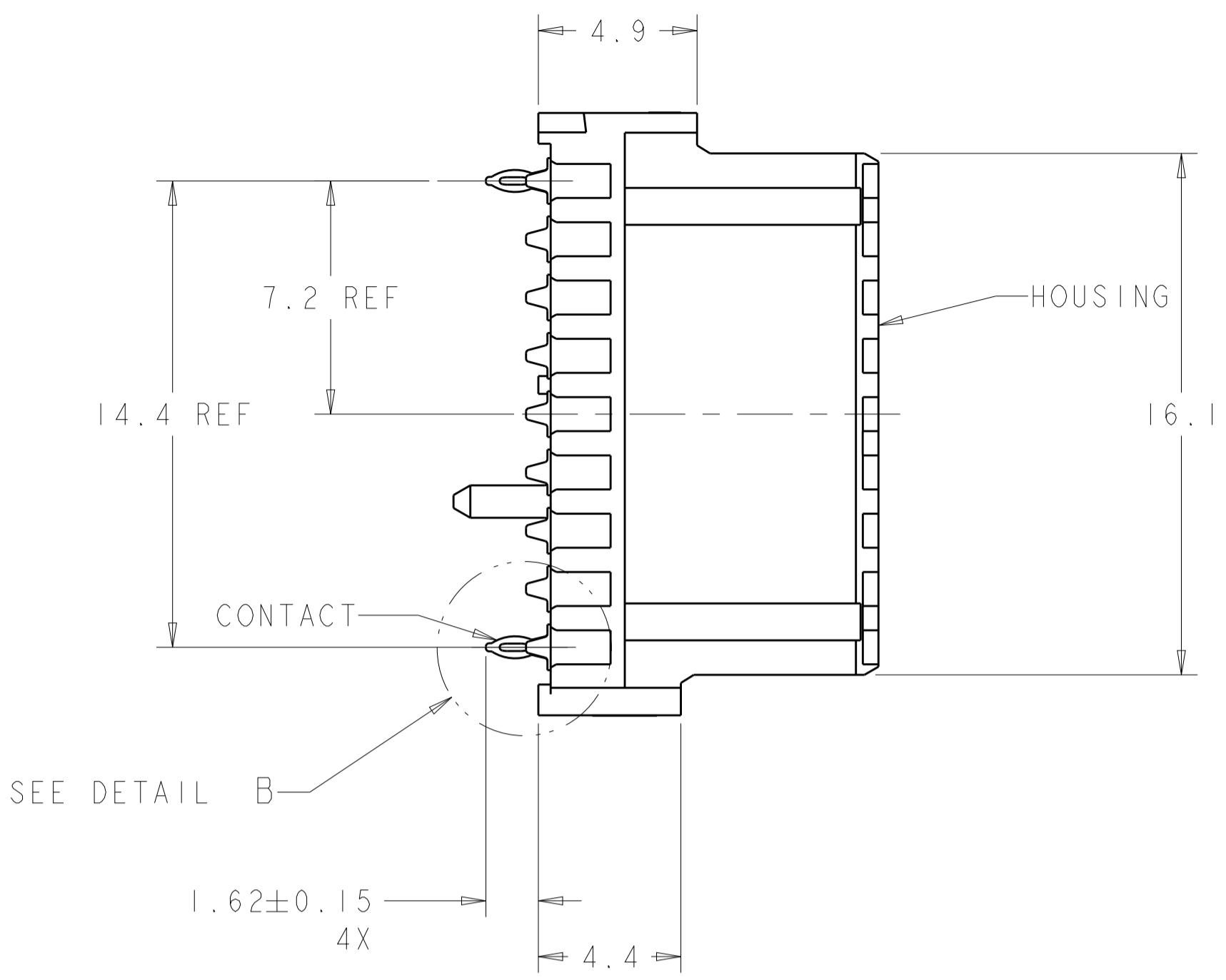
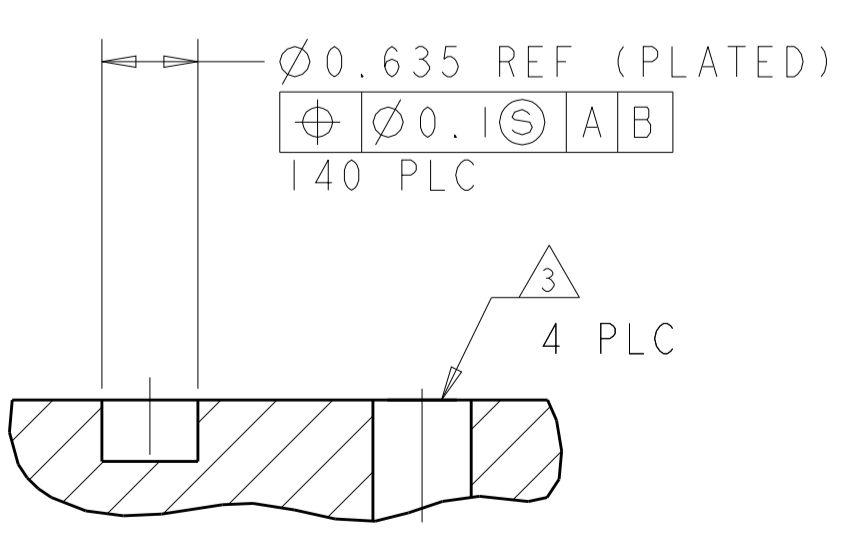
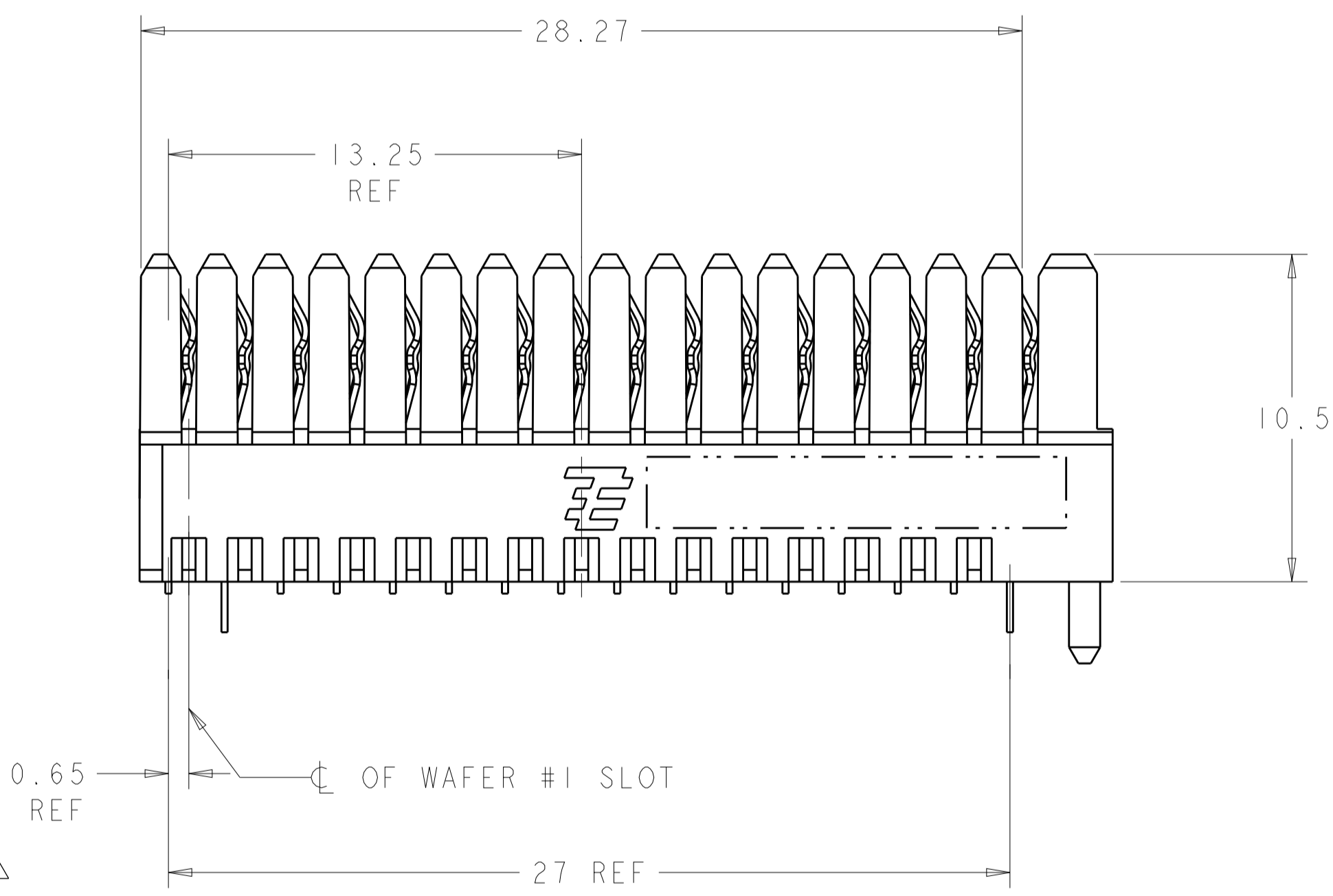
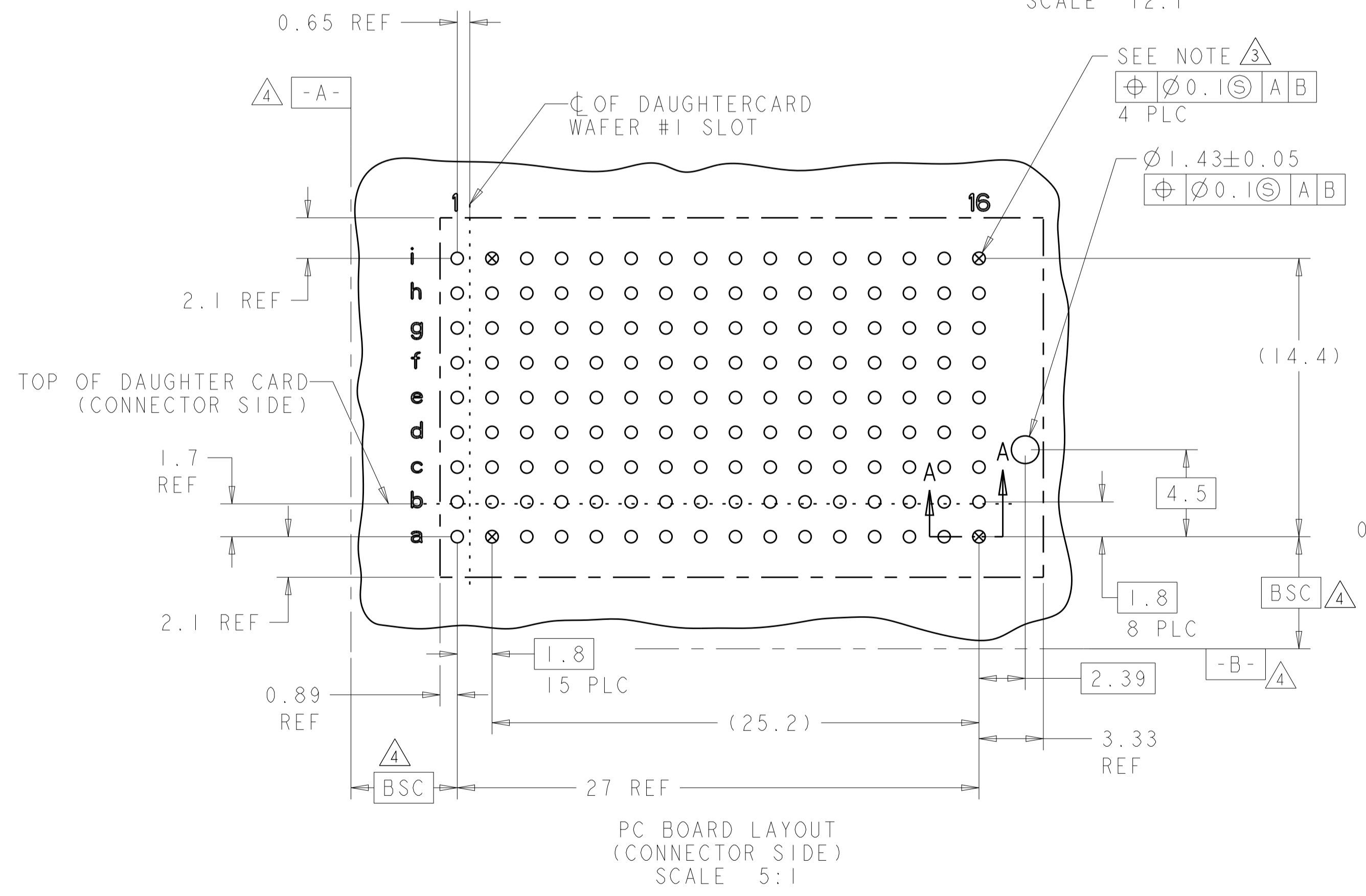
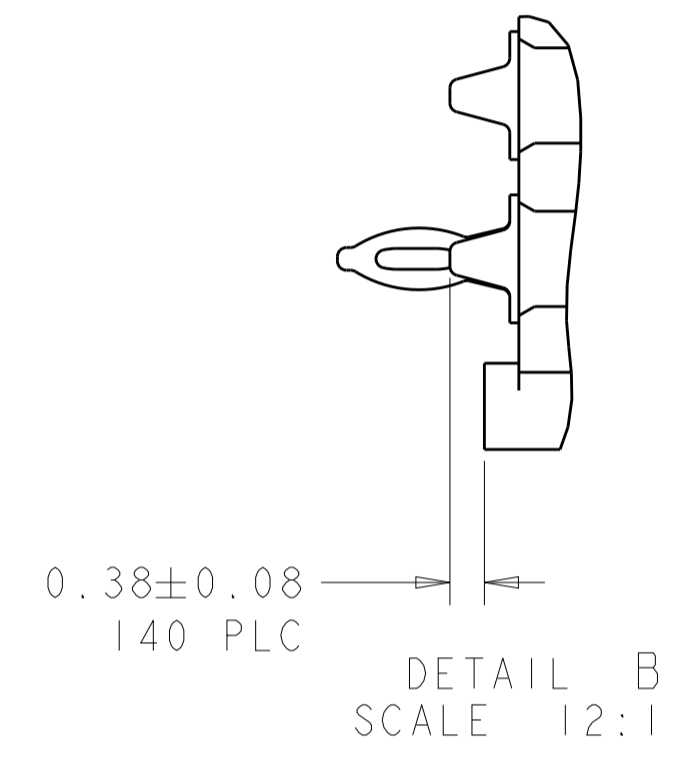


REVISIONS				
P.	LTN.	DESCRIPTION	DATE	APPROV.
A		RELEASED PER ECO 20-014093	11-4-20	CT DH



- ① HOUSING: LCP, UL94V0, COLOR: BLACK.
CONTACT: PHOSPHOR BRONZE.
- ② FINISH CONTACT: 1.27µm GOLD IN CONTACT AREA.
COMPLIANT PIN: 1.27µm MIN TIN-LEAD (93/7) ON PCB TAIL OVER 2.54µm MIN. NICKEL OVER ALL.
SOLDER TAIL: 5.08µm MIN TIN-LEAD (93/7) ON PCB TAIL OVER 2.54µm MIN. NICKEL OVER ALL.
- ③ PLATED THROUGH HOLE PER 114-163004, FIGURE 10
- ④ DATUMS AND BASIC DIMENSIONS ESTABLISHED BY CUSTOMER.
- ⑤ FINISH CONTACT: 1.27µm GOLD IN CONTACT AREA.
COMPLIANT PIN: 1.27µm MIN TIN ON PCB TAIL OVER 2.54µm MIN. NICKEL OVER ALL.
SOLDER TAIL: 5.08µm MIN TIN ON PCB TAIL OVER 2.54µm MIN. NICKEL OVER ALL.



	1	2	3	4	5	6	7	8	9	10	11	12	13	14	15	16
i	S	C	S	S	S	S	S	S	S	S	S	S	S	S	S	C
h	S	S	S	S	S	S	S	S	S	S	S	S	S	S	S	S
g	S	S	S	S	S	S	S	S	S	S	S	S	S	S	S	S
f	S	S	S	S	S	S	S	S	S	S	S	S	S	S	S	S
e	S	S	S	S	S	S	S	S	S	S	S	S	S	S	S	S
d	S	S	S	S	S	S	S	S	S	S	S	S	S	S	S	S
c	S	S	S	S	S	S	S	S	S	S	S	S	S	S	S	S
b	S	S	S	S	S	S	S	S	S	S	S	S	S	S	S	S
a	S	C	S	S	S	S	S	S	S	S	S	S	S	S	S	C

S = SOLDER TAIL
C = COMPLIANT PIN

⑤	2374810-2
②	2374810-1
CONTACT FINISH	PART NUMBER

THIS DRAWING IS A CONTROLLED DOCUMENT.		OWN: D. BELACK	11 JUN 2020
DIMENSIONS: mm		CHK: D. HOANG	11 JUN 2020
TOLERANCES UNLESS OTHERWISE SPECIFIED:		APVD: D. HOANG	11 JUN 2020
0 PLC	±	PRODUCT SPEC	
1 PLC	±0.5	APPLICATION SPEC	108-2072
2 PLC	±0.13	SIZE	114-163004
3 PLC	±	WEIGHT	
4 PLC	±	CUSTOMER DRAWING	
ANGLES	±2°	SCALE 6:1 SHEET 1 OF 1 REV A	

TE Connectivity

CONNECTOR ASSEMBLY, BACKPLANE VERTICAL RECEPTACLE, RIGHT END, MULTIGIG RT 3, SOLDER TAIL

SIZE: 114-163004 CAGE CODE: 100779 DRAWING NO: 2374810