

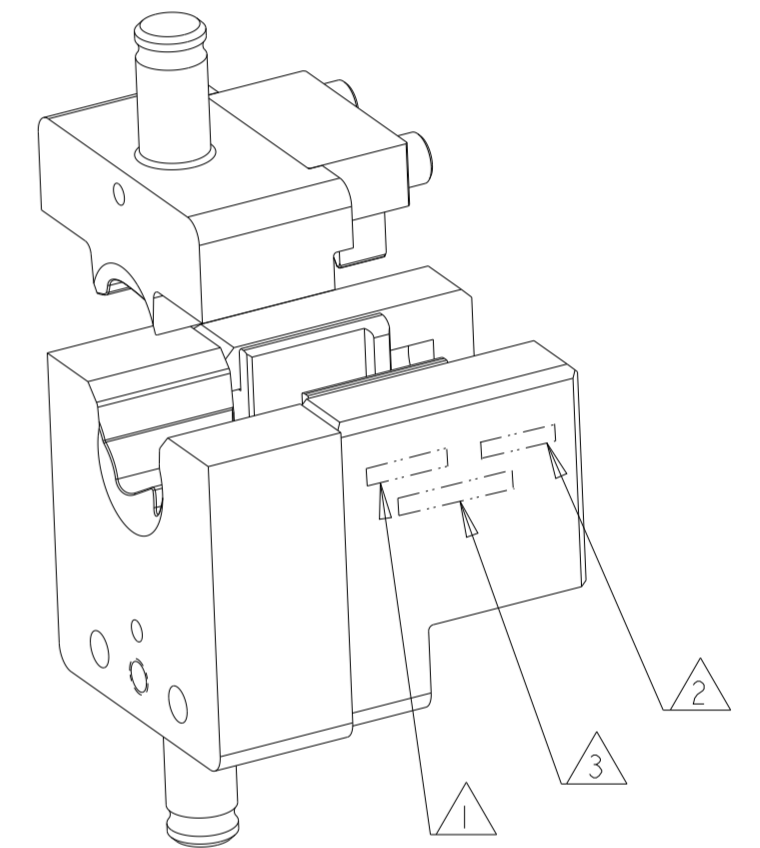
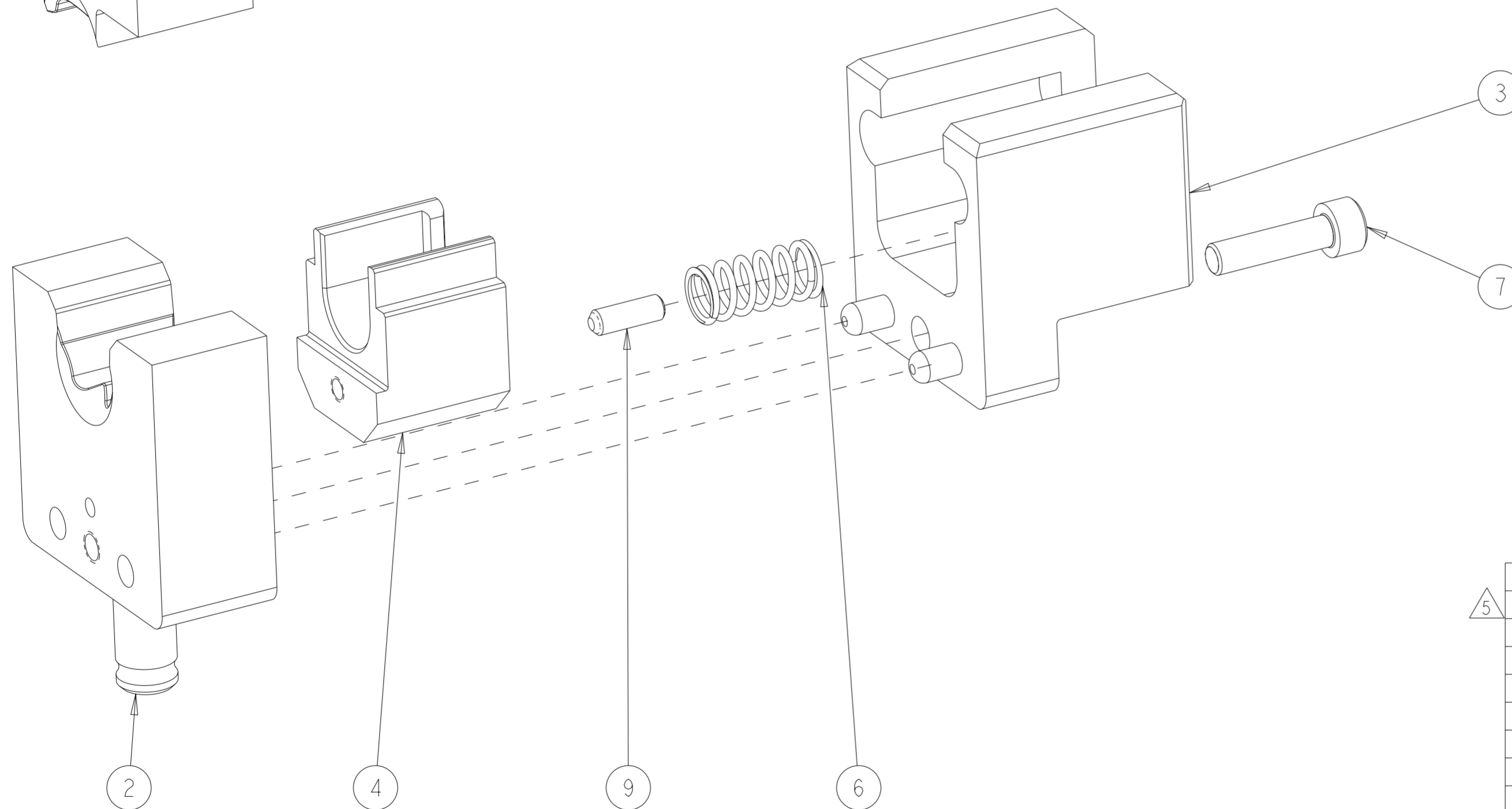
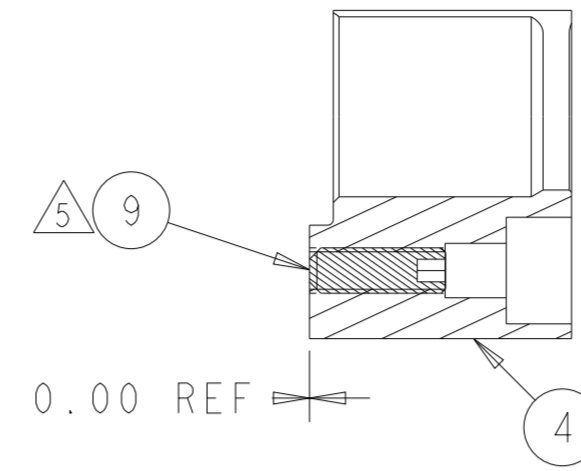
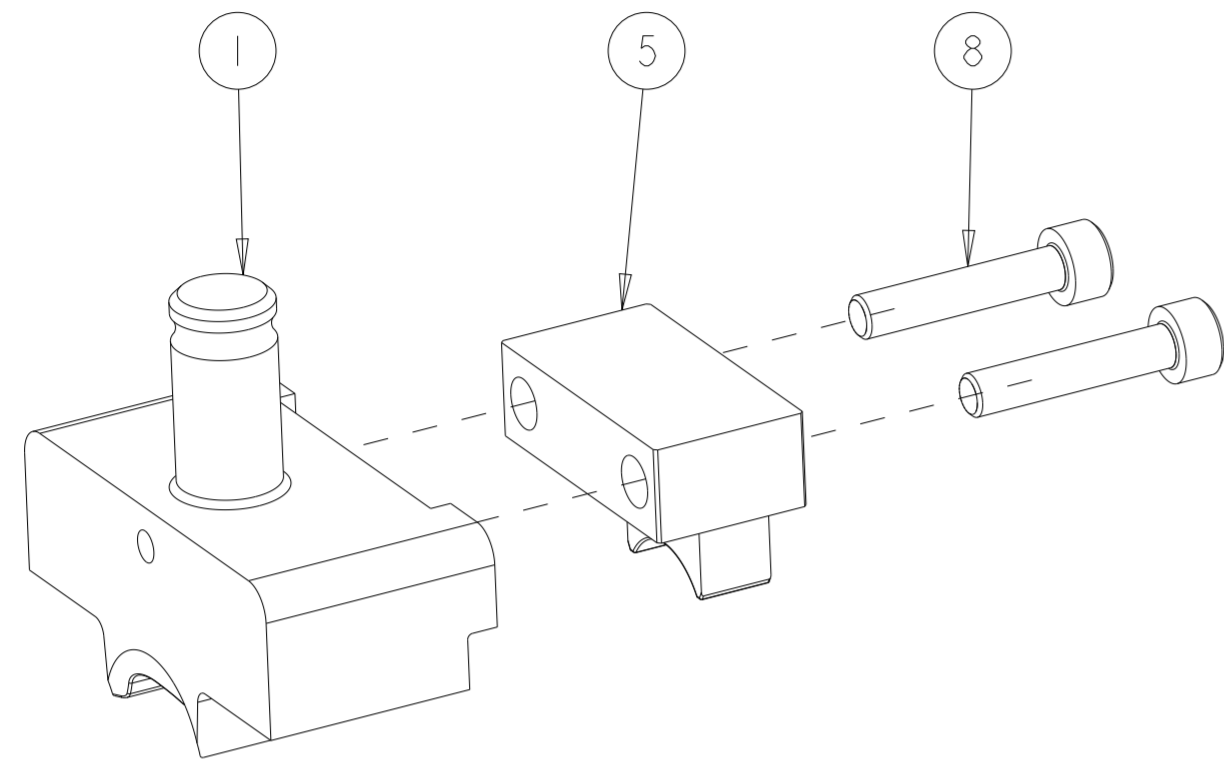
© 2021 TE Connectivity. All Rights Reserved.

PART NUMBER	REV	DESCRIPTION
2383670-1	B	HV DIE SET
7-2383670-7	A	CRIMP TOOLING KIT
9-2383670-1	B	DIE SET WITH DIE HOLDER

REVISIONS					
P	LTR	DESCRIPTION	DATE	DWN	APVD
3		REVISED	23NOV2021	KH	YY
A		RELEASED	06DEC2021	KH	YY
B		REVISED PER ECR-22-133717	24MAR2022	GK	YY
BI		ECR-23-179096	21JUN2023	RRD	KH

TERMINAL NAME	HVP HD1000 SOCKET CONTACT 70MM2		
TE TERMINAL PART NUMBER	2383445-3		
CRIMP SPECIFICATION	114-160178		
USED ON	2305470-1	2326378-1	
INSTRUCTION SHEET	408-35078		

CABLE SUPPLIER/SPECIFICATION	CABLE SIZE	CRIMP HEIGHT	CRIMP HEIGHT REFERENCE SETTING
HUBER+SUHNER ISO 6722-1 & 19462-9	70mm <sup>2</sup>	10.40±0.1	E6



1	-	-	2305470-1	HV DIE HOLDER WITH FINE ADJUST	100
5	1	-	3-18032-5	SCR, SET, FLT PNT, M4 X 12.0	9
2	-	2	1-18023-4	SCR, SKT HD CAP M4 X 20.0	8
1	-	1	2-18023-1	SCR, SKT HD CAP M5 X 20.0	7
1	-	1	4-22282-8	SPRING, COMPRESSION	6
1	-	1	2361406-9	TONK, TERMINAL	5
1	-	1	2371946-6	SUPPORT, TERMINAL	4
1	-	1	2361407-5	HOUSING, TERMINAL LOCATOR	3
1	1	1	2370831-4	NEST HVM W	2
1	1	1	2370544-6	CRIMPER HVM W	1
-91-77-1			PART NO	DESCRIPTION	ITEM NO

- ① APPLY "DIE SET PN" PER TEC-115-67-2 IN APPROXIMATE AREA SHOWN.
- ② IDENTIFY PART NUMBER AND REVISION LETTER PER TEC-115-67-2 IN APPROXIMATE AREA SHOWN.
- ③ IDENTIFY SERIAL NUMBER PER TEC-115-67-2 IN APPROXIMATE AREA SHOWN.
- ④ TORQUE RECOMMENDATIONS PER 101-35000 UNLESS OTHERWISE SPECIFIED.
- ⑤ SET THE INITIAL POSITION OF THE HEADLESS SCREW AND LOCATING PART.

THIS DRAWING IS A CONTROLLED DOCUMENT.

DWN	J.LI	18DEC2020
CHK	A.JIANG	18DEC2020
APVD	Y.YIN	18DEC2020

**STE** TE Connectivity

NAME: DIE SET CVE100 T 70MM2

SIZE: A2 CAGE CODE: 00779 DRAWING NO: C-2383670

Customer Accessible Production Drawing SCALE: 3:2 SHEET: 1 OF 1 REV: BI