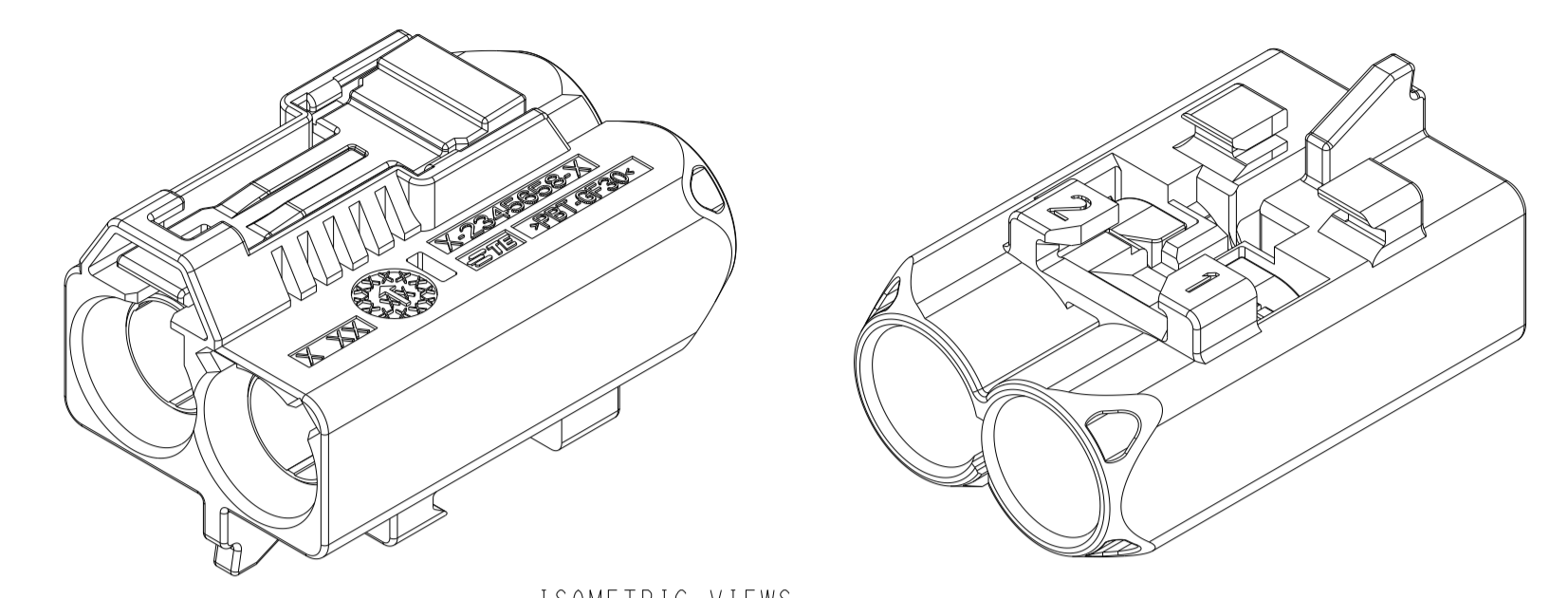
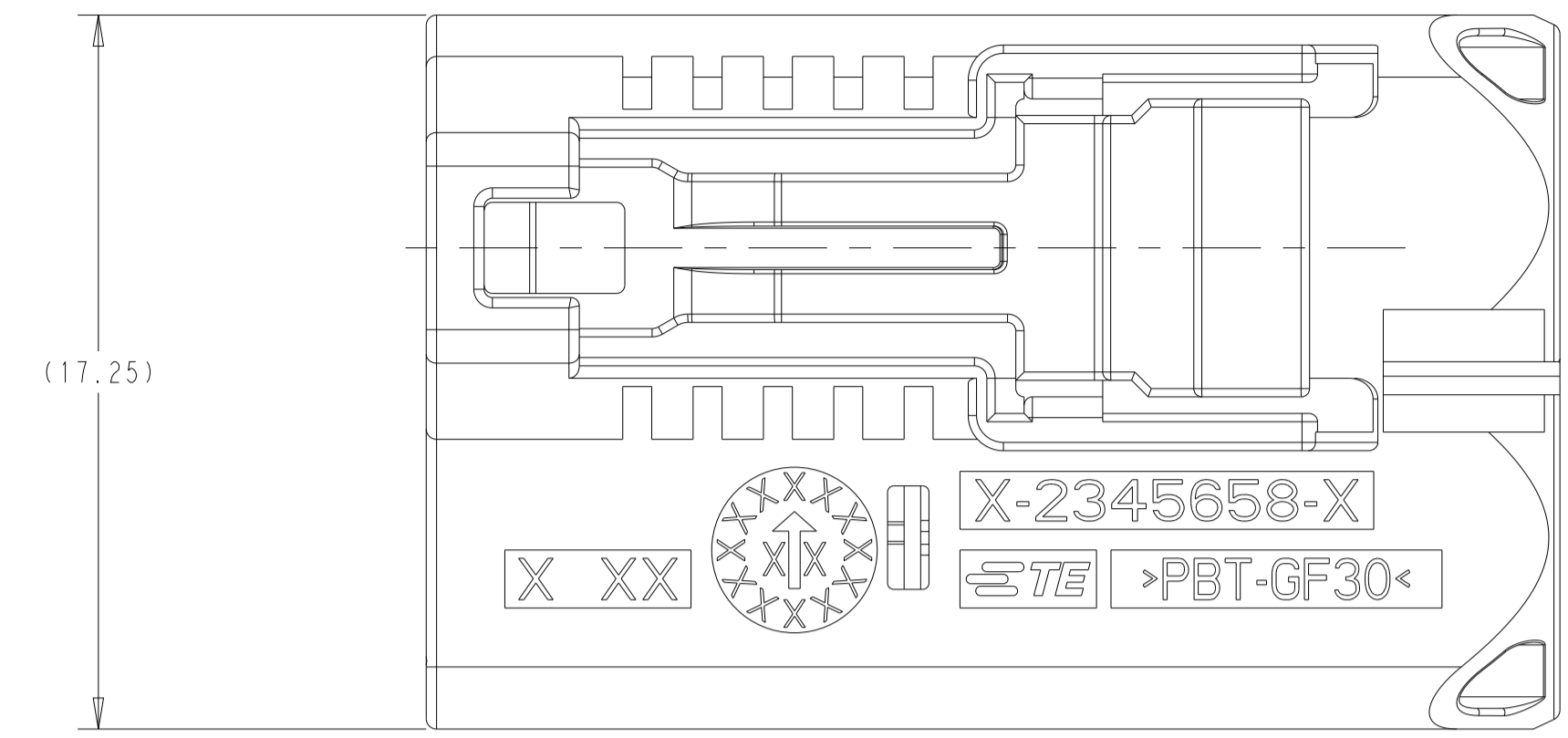
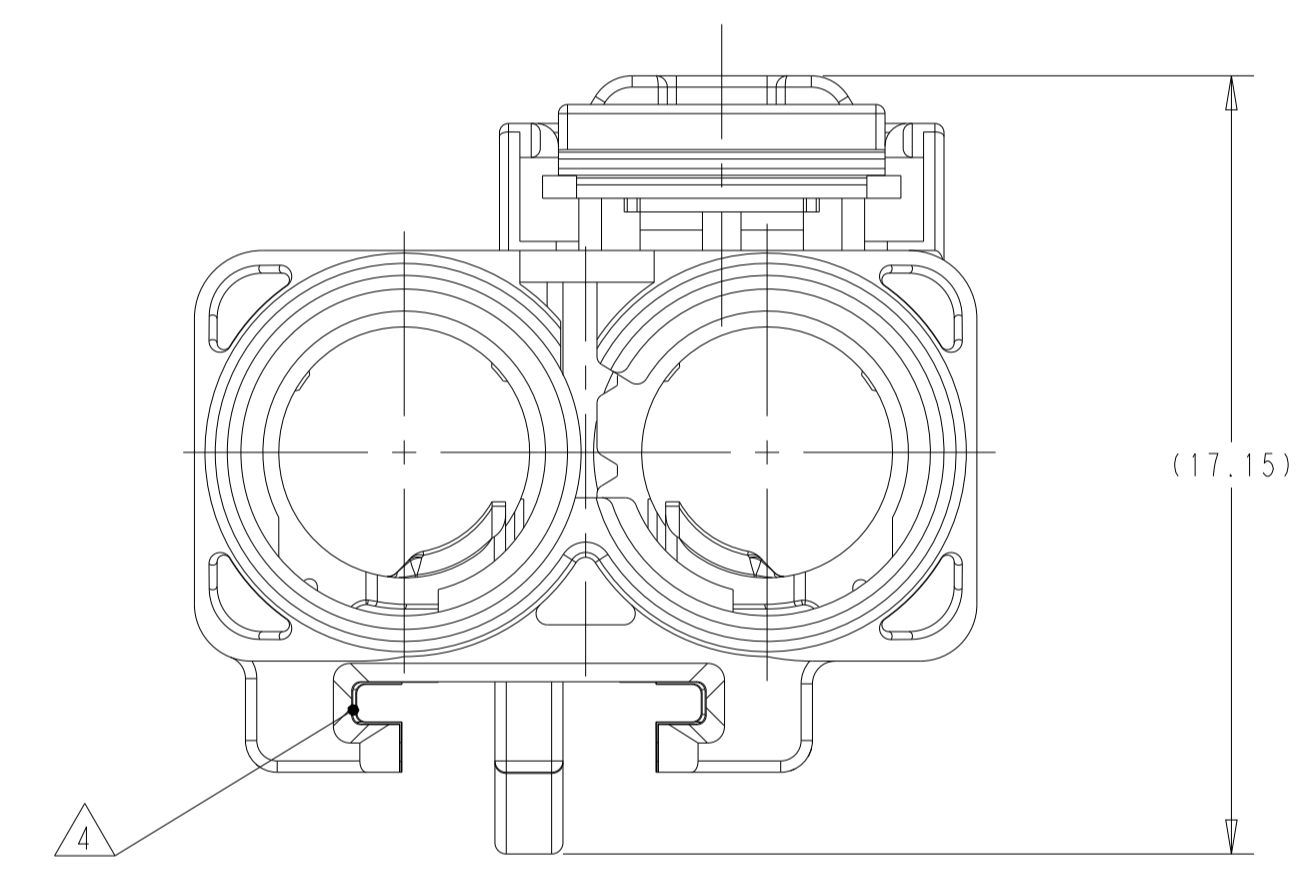
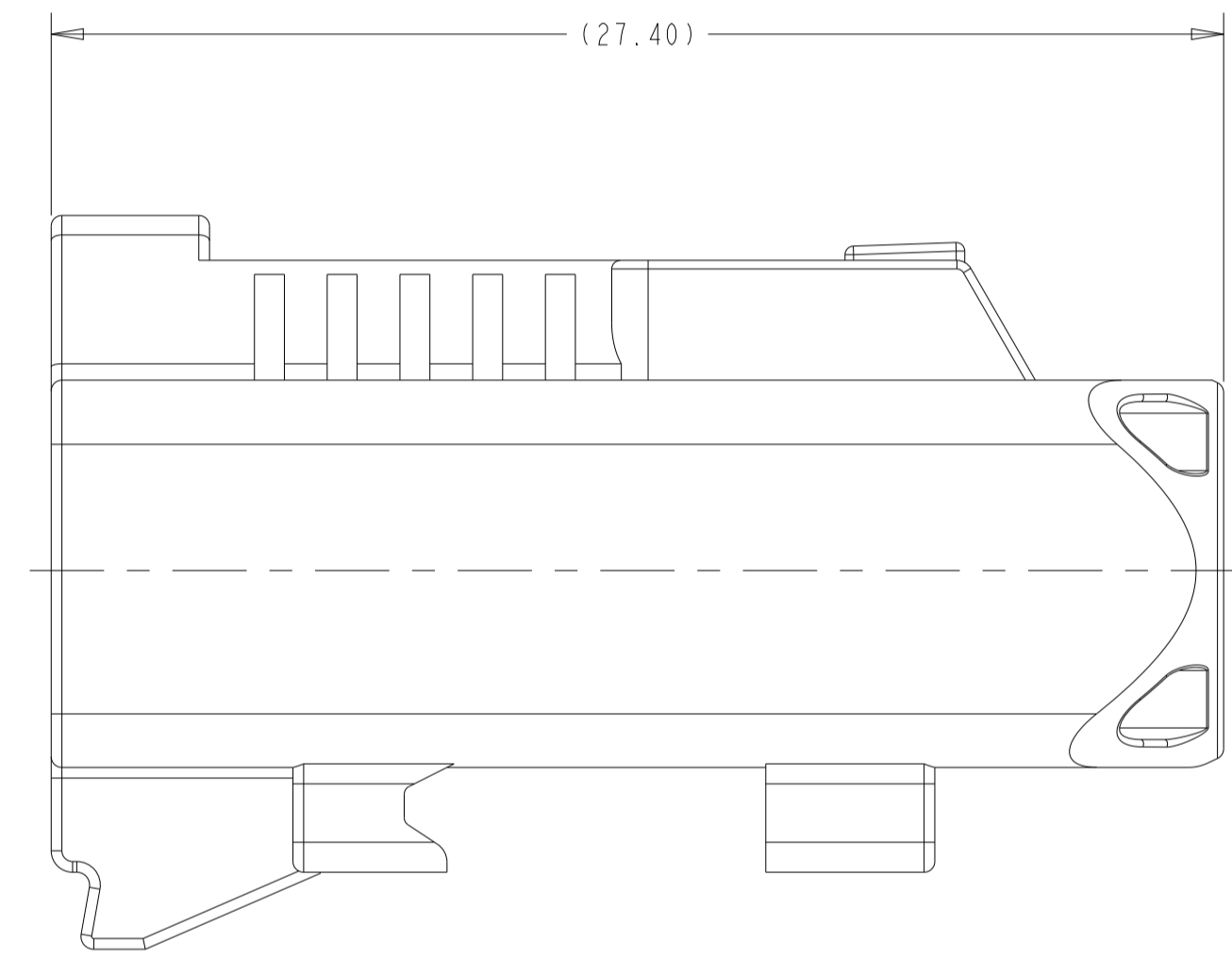
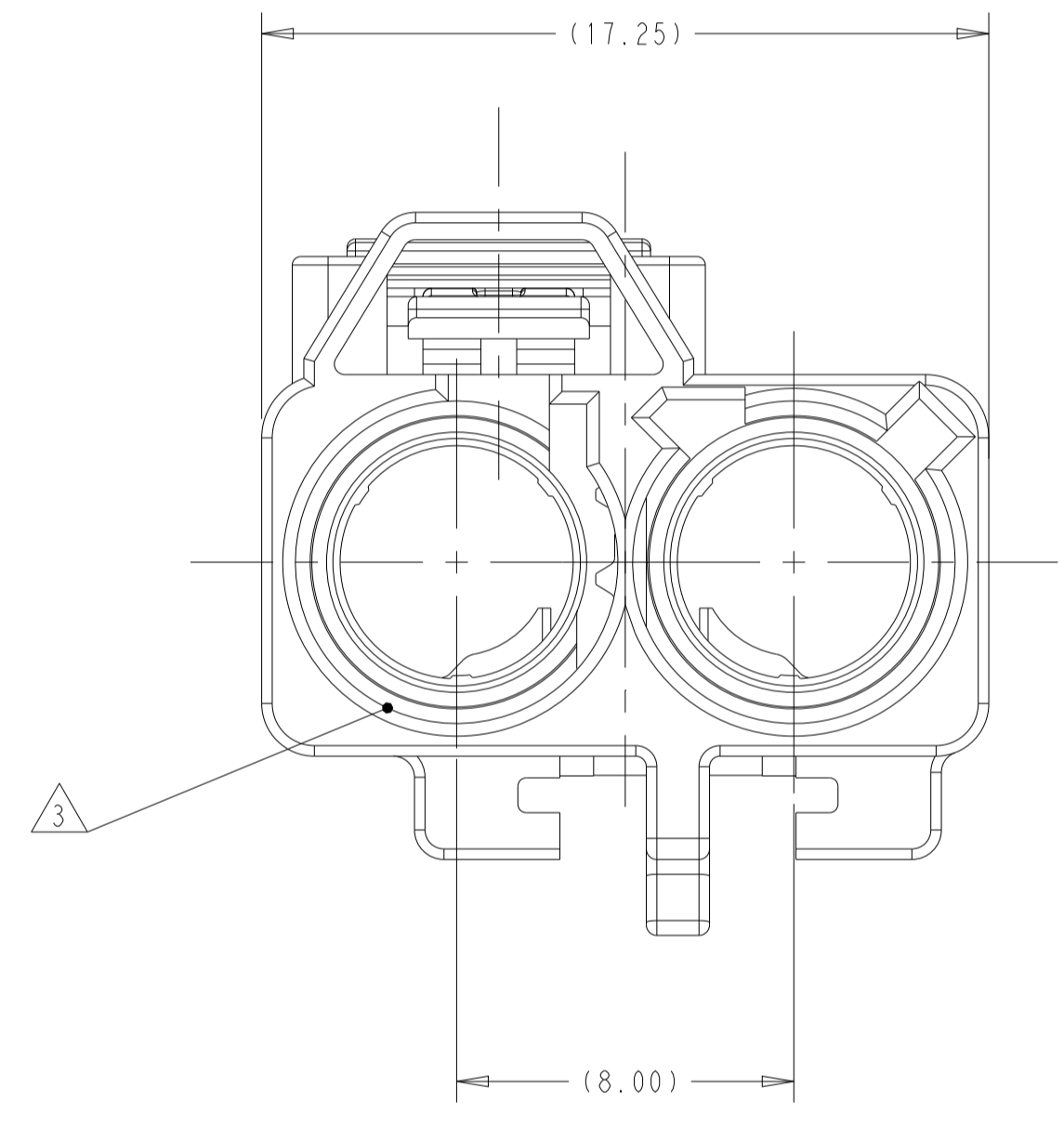


REVISIONS				
P	LTN	DESCRIPTION	DATE	APVD
1		INITIAL DRAWING	08JUL2019	JMS NE
A		RELEASED PER ECO-19-013783	06SEP2019	KF NE
A1		REVISED PER ECN-25-313025	25MAR2025	JM AP



ISOMETRIC VIEWS
SCALE 3:1



Z	PER DETAIL Z	WATER BLUE	2-2345658-0
N	PER DETAIL N	PASTEL GREEN	1-2345658-3
M	PER DETAIL M	PASTEL ORANGE	1-2345658-2
L	PER DETAIL L	CARMINE RED	1-2345658-1
K	PER DETAIL K	CURRY	1-2345658-0
I	PER DETAIL I	BEIGE	2345658-9
H	PER DETAIL H	HEATHER VIOLET	2345658-8
G	PER DETAIL G	BLUE GREY	2345658-7
F	PER DETAIL F	NUT BROWN	2345658-6
E	PER DETAIL E	LEAF GREEN	2345658-5
D	PER DETAIL D	CLARET VIOLET	2345658-4
C	PER DETAIL C	SIGNAL BLUE	2345658-3
B	PER DETAIL B	CREAM	2345658-2
A	PER DETAIL A	JET BLACK	2345658-1
KEY CODE	KEYING	CODING COLOR	PART NUMBER

SUPERSEDED BY X-2385927-X

- 1. 2345658-1 AS SHOWN.
- 2 MATERIAL, POLYESTER PBT, COLOR SEE TABLE.
- 3 FEMALE INTERFACE PER ISO-20860-1, ISO-20860-2, SAE/USCAR-17, SAE/USCAR-18.
- 4 STANDARD 7mm CLIP SLOT EWCAP-005-7.

THIS DRAWING IS A CONTROLLED DOCUMENT.

DIMENSIONS:	TOLERANCES UNLESS OTHERWISE SPECIFIED:	APVD	DATE
mm	0 PLC ±.05	J. SHIRK	08JUL2019
	1 PLC ±.02	CHEV N. EVANS	08JUL2019
	2 PLC ±.01	APVD	DATE
	3 PLC ±.01	N. EVANS	08JUL2019
	4 PLC ±.01	PRODUCT SPEC	
	ANGLES ±.1°	108-32137	
	FINISH	APPLICATION SPEC	
MATERIAL		114-32145	
		WEIGHT	

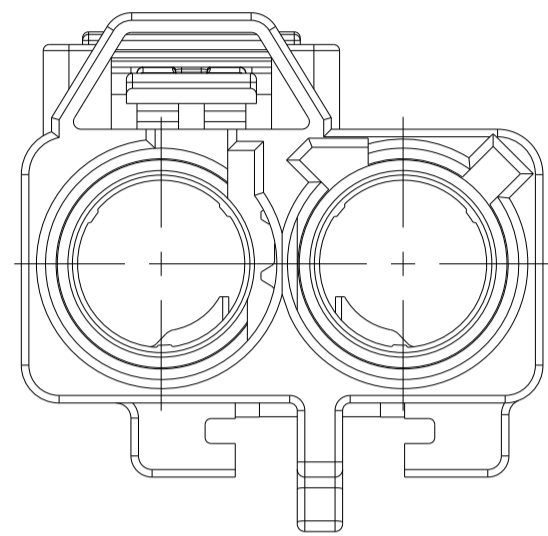
NAME: FEMALE HOUSING, CLIP SLOT, 2 POSITION, 8.0mm CENTERLINE, 180 DEGREE, FAKRA

SIZE: A1 CAGE CODE: - DRAWING NO: 2345658

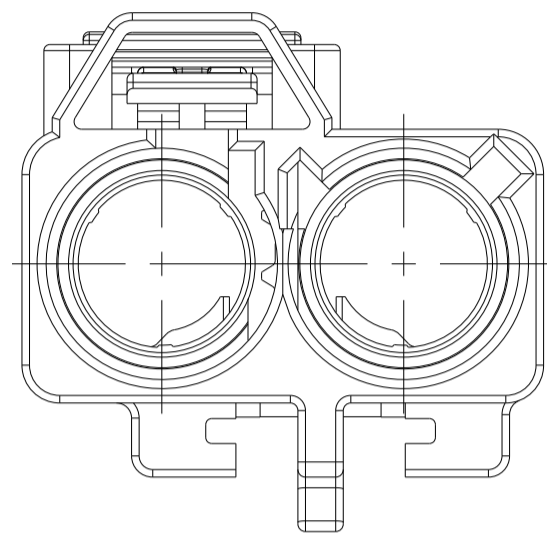
RESTRICTED TO: -

CUSTOMER DRAWING SCALE: 6:1 SHEET 1 OF 2 REV: A1

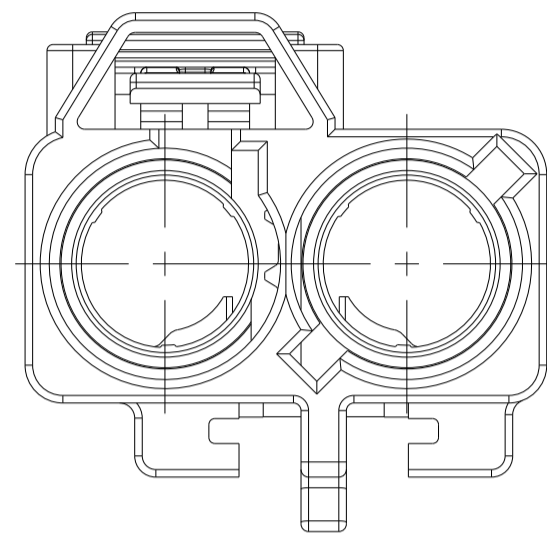
REVISIONS				
P	LTN	DESCRIPTION	DATE	APVD
-		SEE SHEET 1	-	-



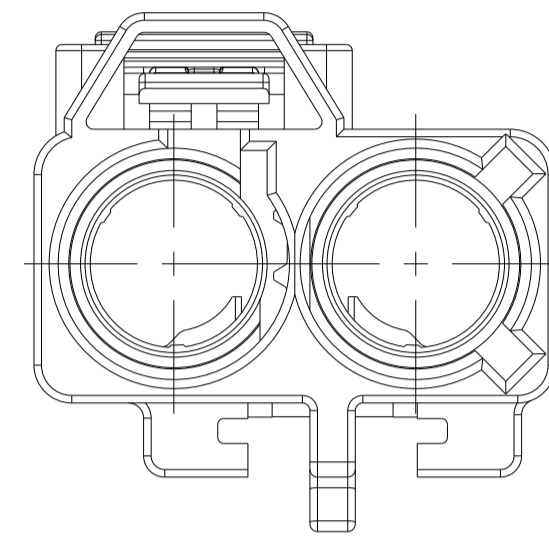
DETAIL A
SCALE 4:1



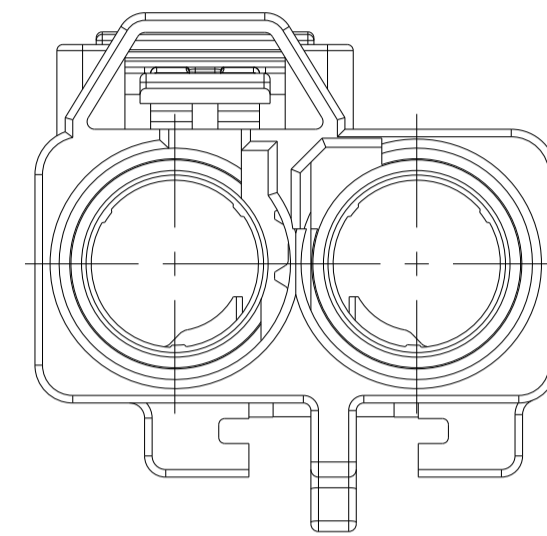
DETAIL B
SCALE 4:1



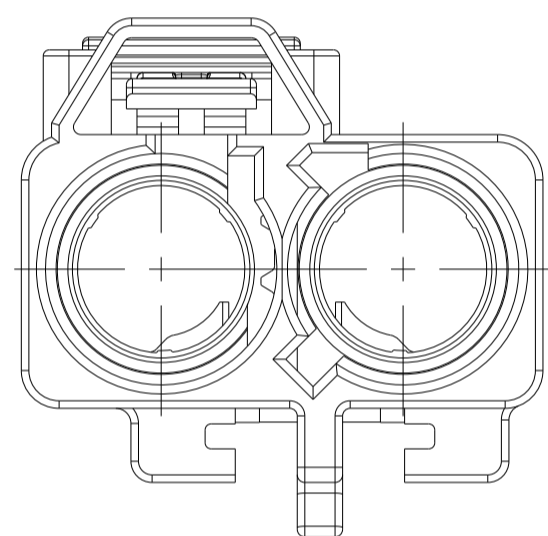
DETAIL C
SCALE 4:1



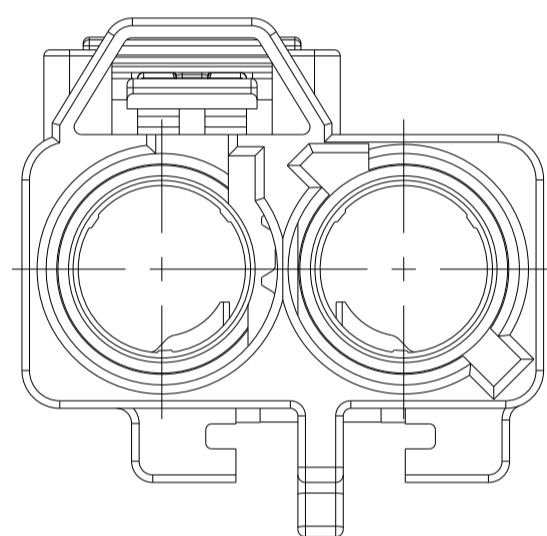
DETAIL D
SCALE 4:1



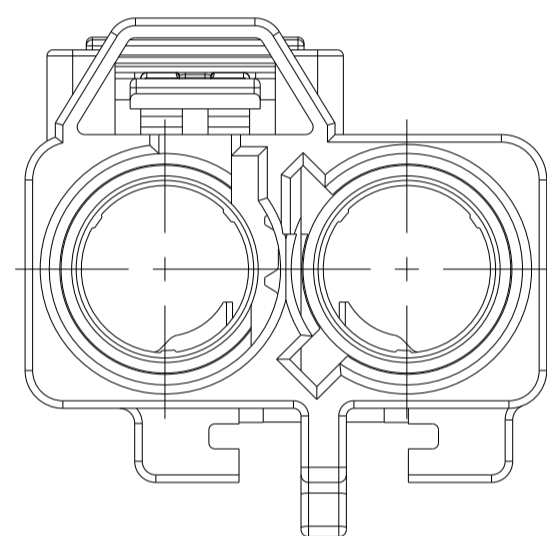
DETAIL E
SCALE 4:1



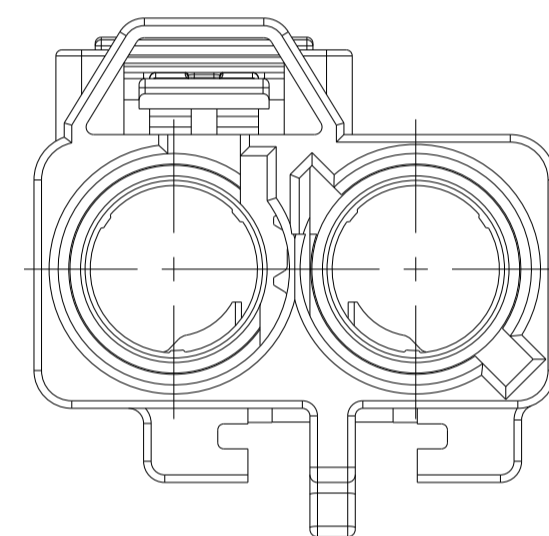
DETAIL F
SCALE 4:1



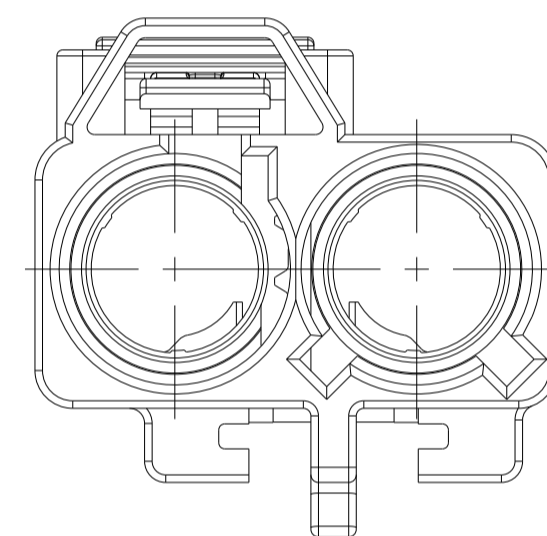
DETAIL G
SCALE 4:1



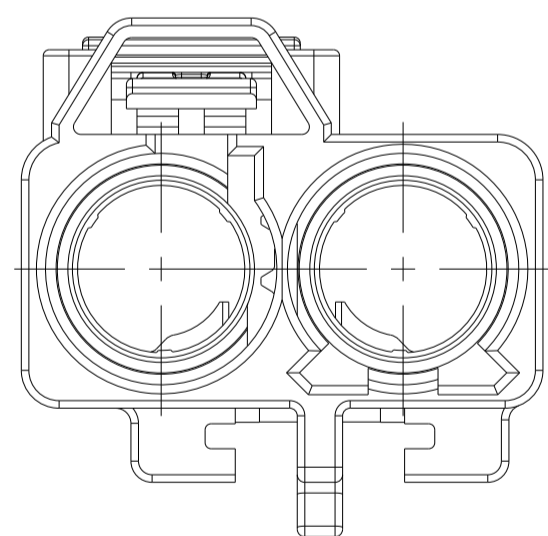
DETAIL H
SCALE 4:1



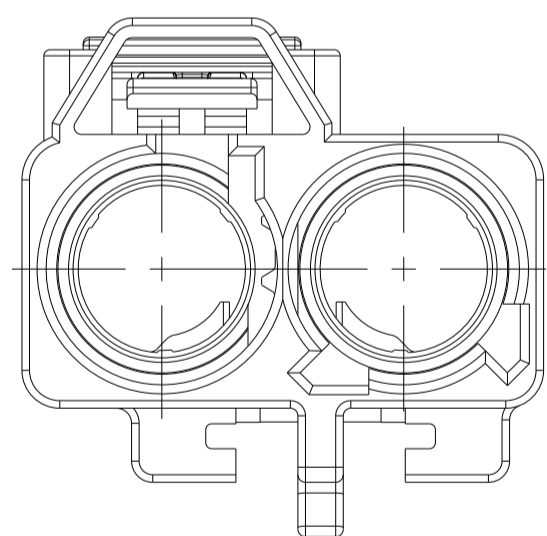
DETAIL I
SCALE 4:1



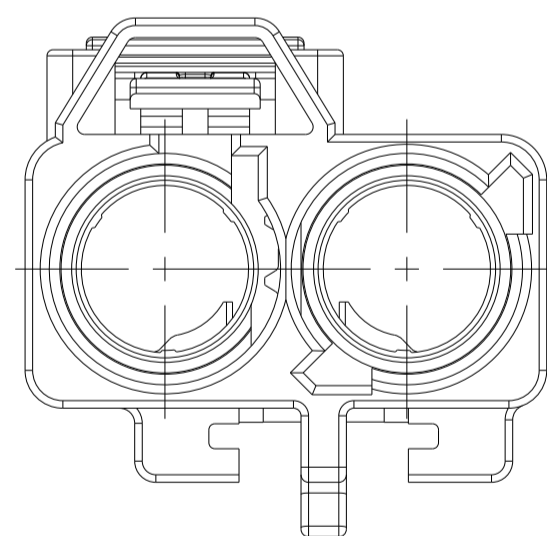
DETAIL K
SCALE 4:1



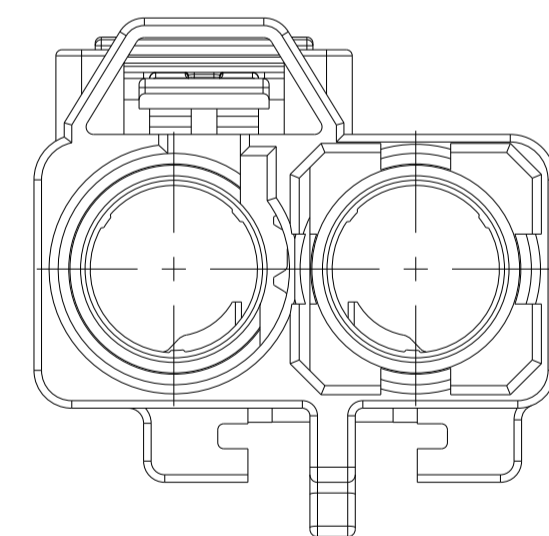
DETAIL L
SCALE 4:1



DETAIL M
SCALE 4:1



DETAIL N
SCALE 4:1



DETAIL Z
SCALE 4:1

THIS DRAWING IS A CONTROLLED DOCUMENT.		OWN J. SHIRK 08JUL2019	TE Connectivity	
DIMENSIONS:		CHK N. EVANS 08JUL2019	NAME FEMALE HOUSING, CLIP SLOT, 2 POSITION, 8.0mm CENTERLINE, 180 DEGREE, FAKRA	
mm	TOLERANCES UNLESS OTHERWISE SPECIFIED:	APVD N. EVANS 08JUL2019	PRODUCT SPEC	RESTRICTED TO
	0 PLC ±	108-32137	APPLICATION SPEC	
	2 PLC ±	114-32145	SIZE CAGE CODE DRAWING NO	
	3 PLC ±		A1 - C=2345658	
	4 PLC ±		CUSTOMER DRAWING	
	ANGLES ±		SCALE 5:1	SHEET 2 OF 2
	FINISH ±1*			REV A1