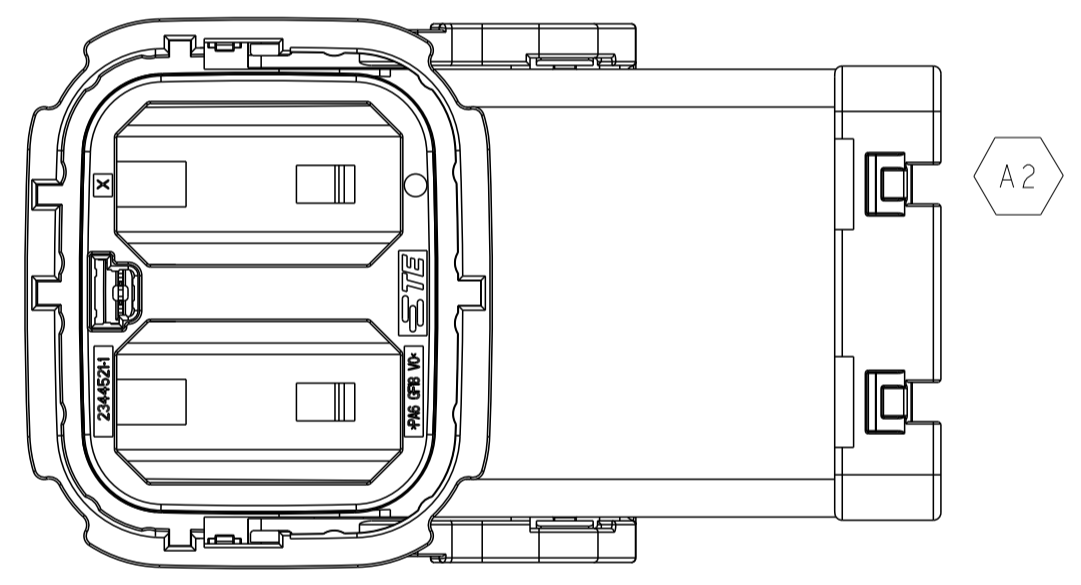
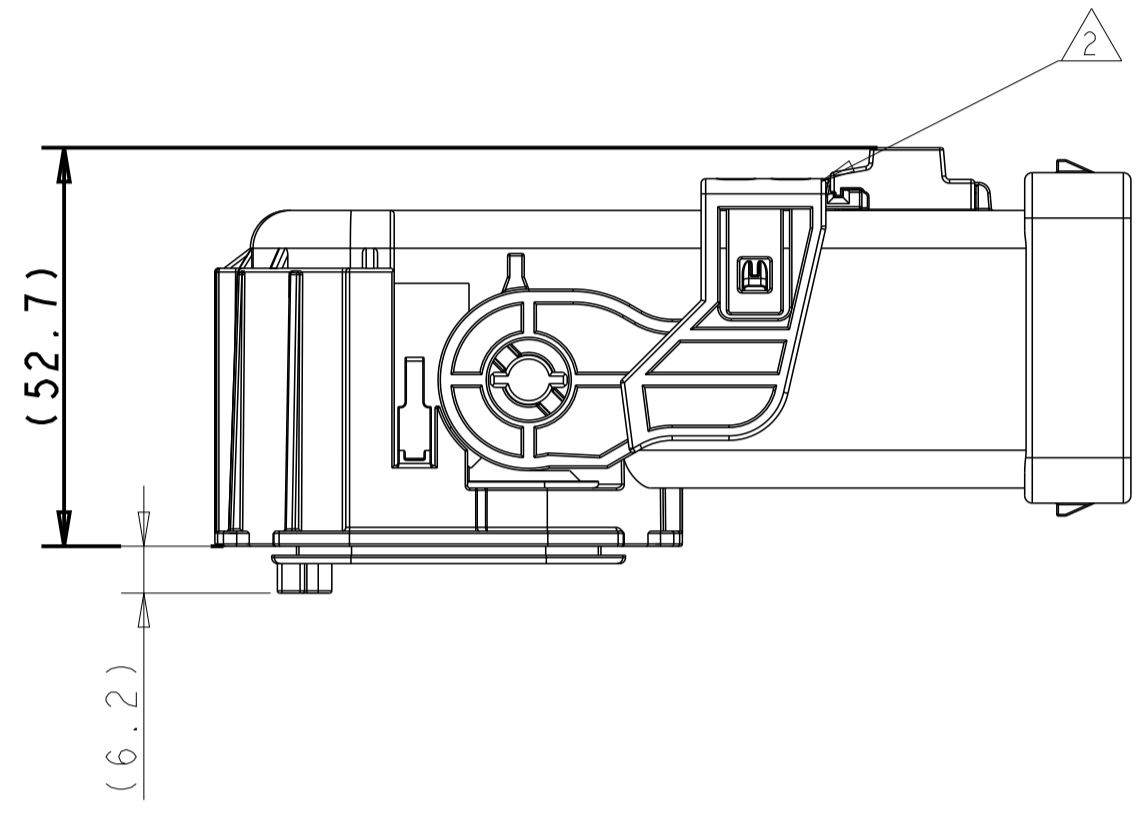
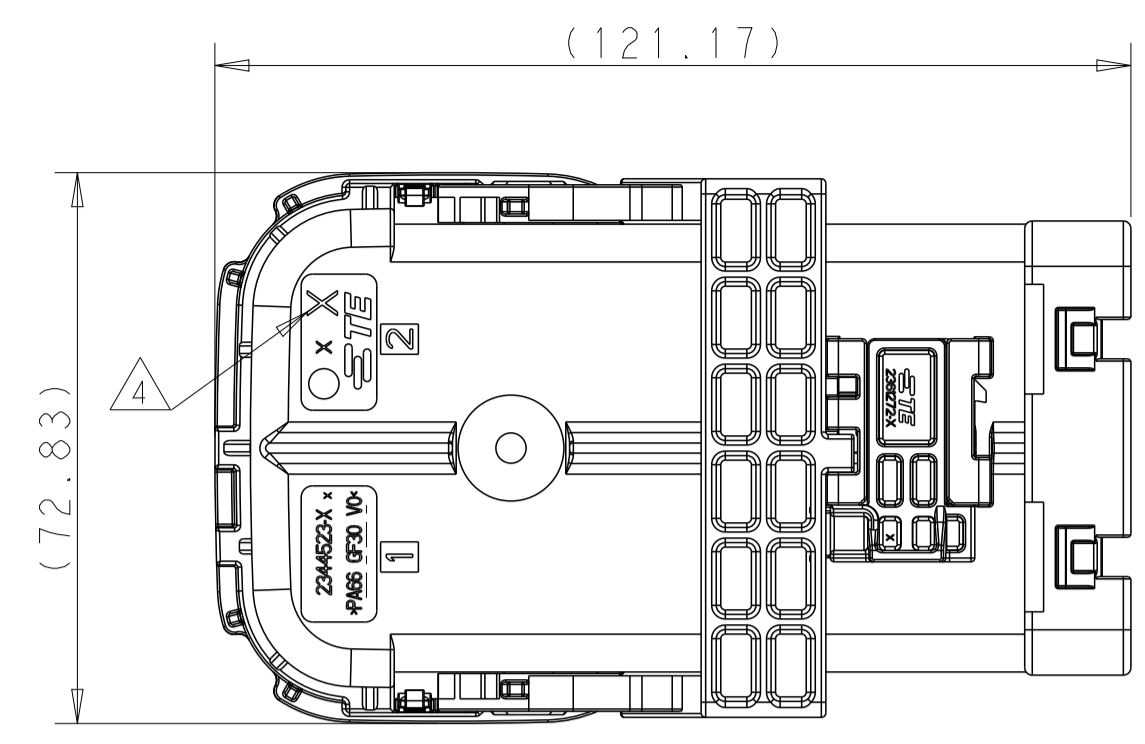
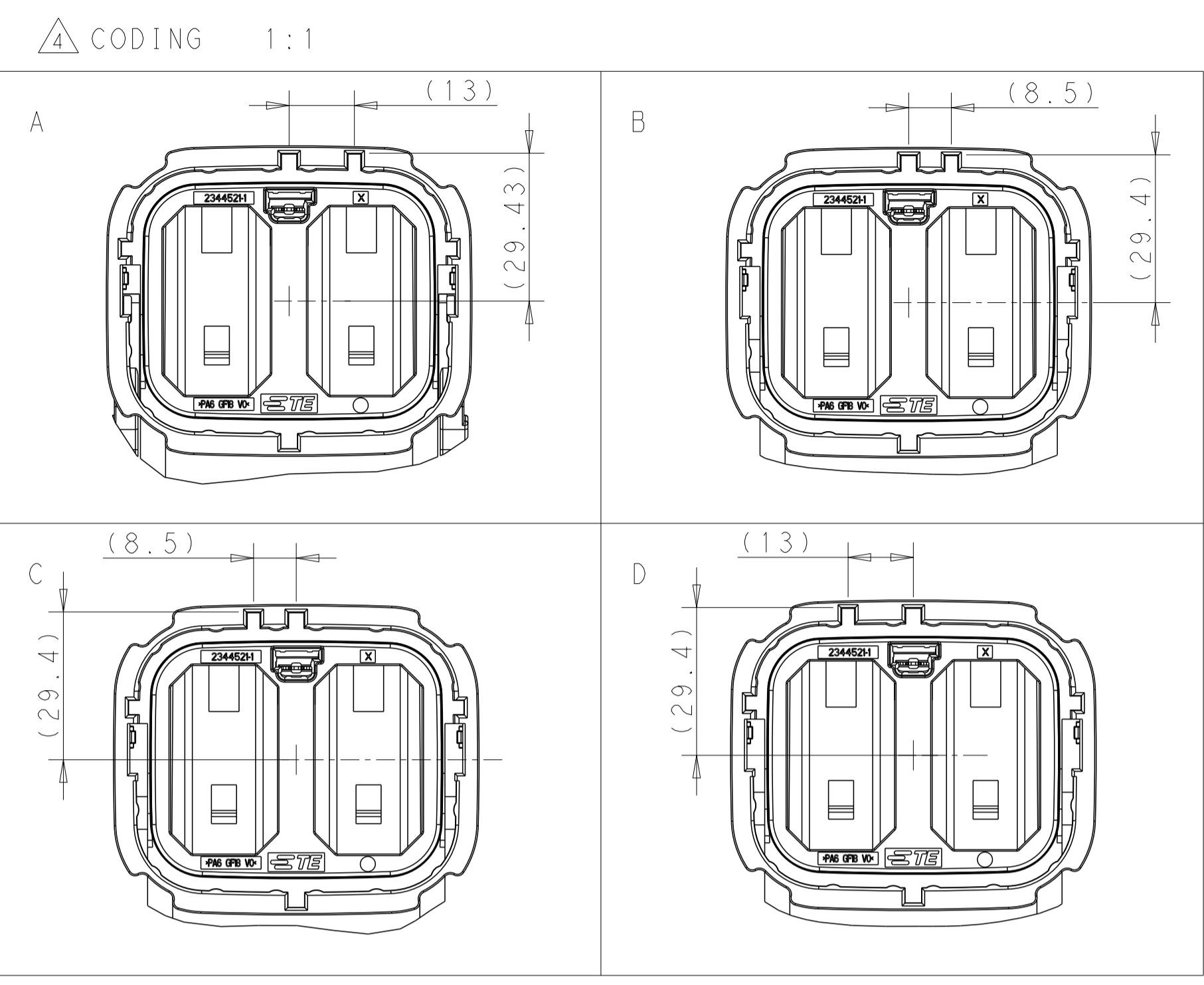
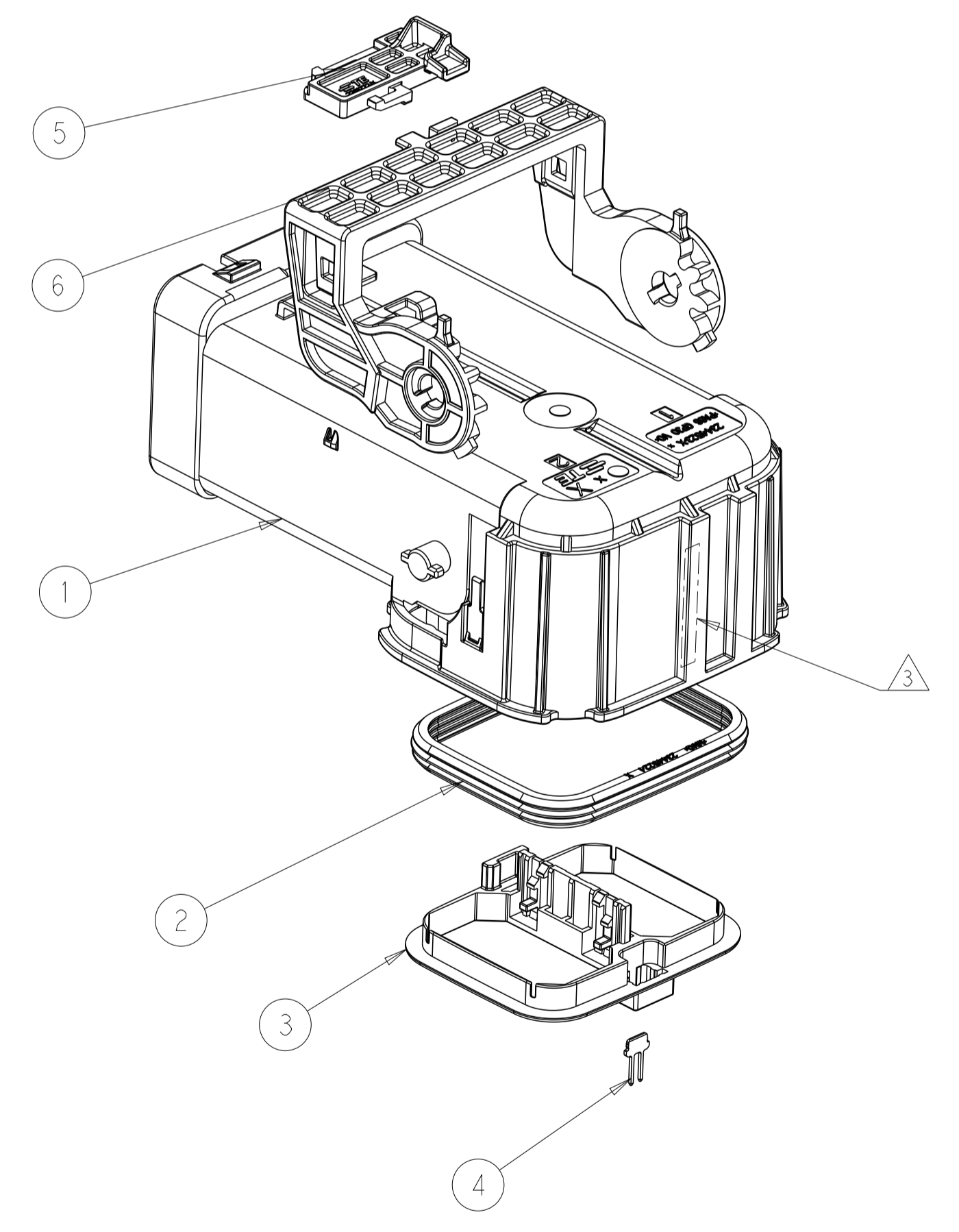


REVISIONS				
P. LTM	DESCRIPTION	DATE	DMN	APVD
A	INITIAL RELEASED	30AUG2019	D. D	I. Y
A1	DRAWING UPDATED	29SEP2020	D. D	E. J
A2	DRAWING UPDATED	29DEC2021	W. Z	E. J



NOTES

- FINAL TEST: VISUAL INSPECTION FOR COMPLETENESS
- SHIPPING CONDITION: LEVER IN ENDLOCKING POSITION  
CPA IN ENDLOCKING POSOTION
- PRODUCTION DATE(HH:MM D/WW/YY)  
ASSEMBLY PN MARKING
- CODING VIEW
- MATING CONNECTOR: 2POS,21MM,HEADER HSG, ASSY  
TE-PN:2344512 OR 2344575
- WIRE RANGE  
70mm<sup>2</sup> SHIELD WIRE OD: 17.4~18.2mm  
95mm<sup>2</sup> SHIELD WIRE OD: 20.1~20.9mm  
95mm<sup>2</sup> SHIELD WIRE OD: 19.1~19.9mm



1	1	1	1	2POS, 21MM, LEVER, 90DEG	PA6 GF18 V0	BLACK	6
1	1	1	1	CPA	PA6 GF30 V0	RED	5
1	1	1	1	SHUNT BAR	COPPER ALLOY	-	4
1	1	1	1	2POS, 21MM, PLUG TPA, 90 DEG	PA6 GF18 V0	BLACK	3
1	1	1	1	2POS, 21MM, PERIPHERAL SEAL	SILICON RUBBER	GREY	2
1	-	-	-	2POS, 21MM, PLUG HSG, 90 DEG, SEALED	PA66 GF30 V0	ORANGE	1
-	1	-	-	2POS, 21MM, PLUG HSG, 90 DEG, SEALED	PA66 GF30 V0	ORANGE	
-	-	1	-	2POS, 21MM, PLUG HSG, 90 DEG, SEALED	PA66 GF30 V0	ORANGE	
-	-	-	1	2POS, 21MM, PLUG HSG, 90 DEG, SEALED	PA66 GF30 V0	ORANGE	
2344520-4	2344520-3	2344520-2	2344520-1	DESCRIPTION	MATERIAL	SURFACE COLOUR	ITEM
D	C	B	A	← CODING			

THIS DRAWING IS A CONTROLLED DOCUMENT.

DIMENSIONS:	TOLERANCES UNLESS OTHERWISE SPECIFIED:	DMN	01MAR2019	TE Connectivity NAME 2POS, 21MM, PLUG HSG, 90 DEG, ASSY		
mm	PLC ±	CHK	07MAR2019			
	PLC ±	APVD	07MAR2019			
	PLC ±	PRODUCT SPEC	108-32575			
MATERIAL	FINISH	APPL. SPEC	114-32326	SIZE		
		REVISIONS		CAGE CODE	DRAWING NO	RESTRICTED TO
				A1	-	©=2344520
				CUSTOMER DRAWING	SCALE	1:1
					SHEET	1 OF 1
					REV	A2