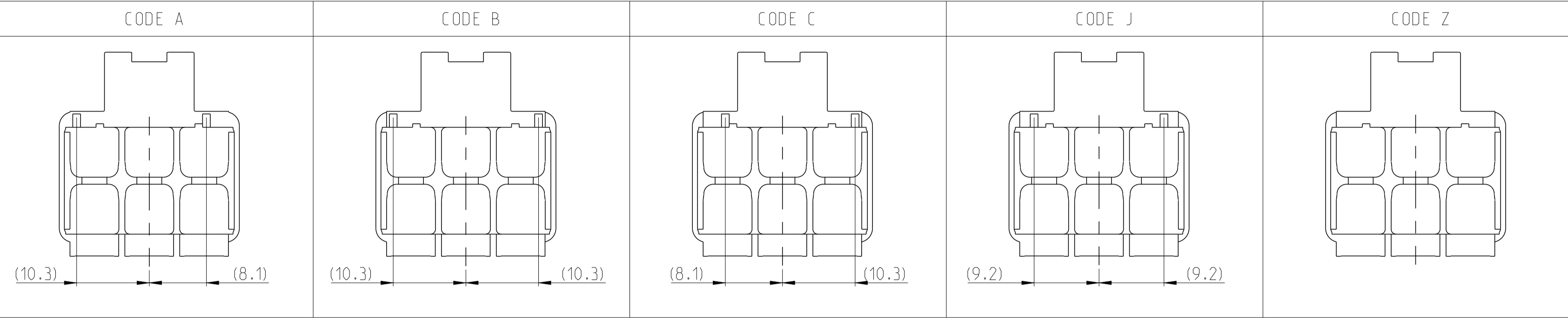


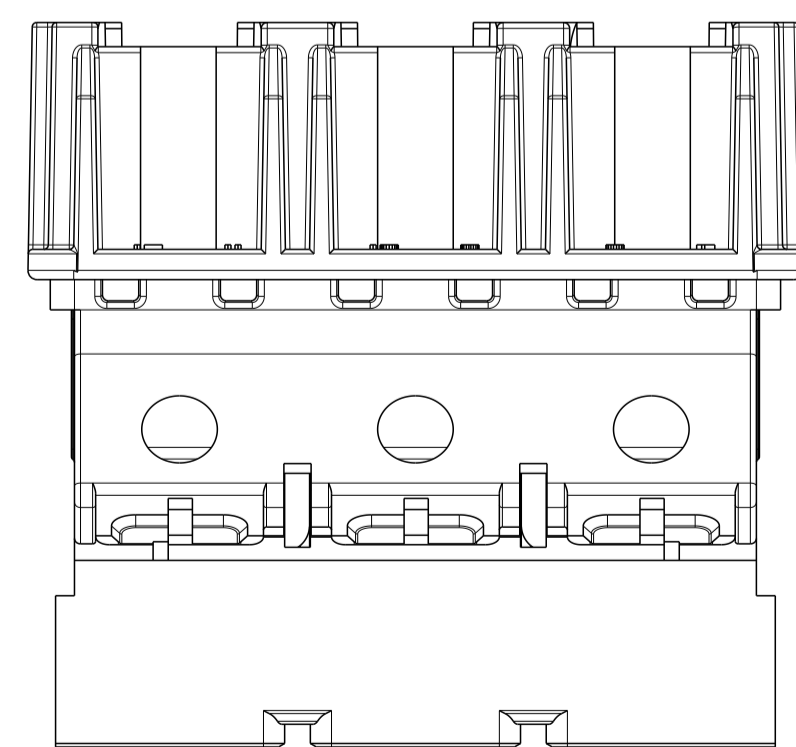
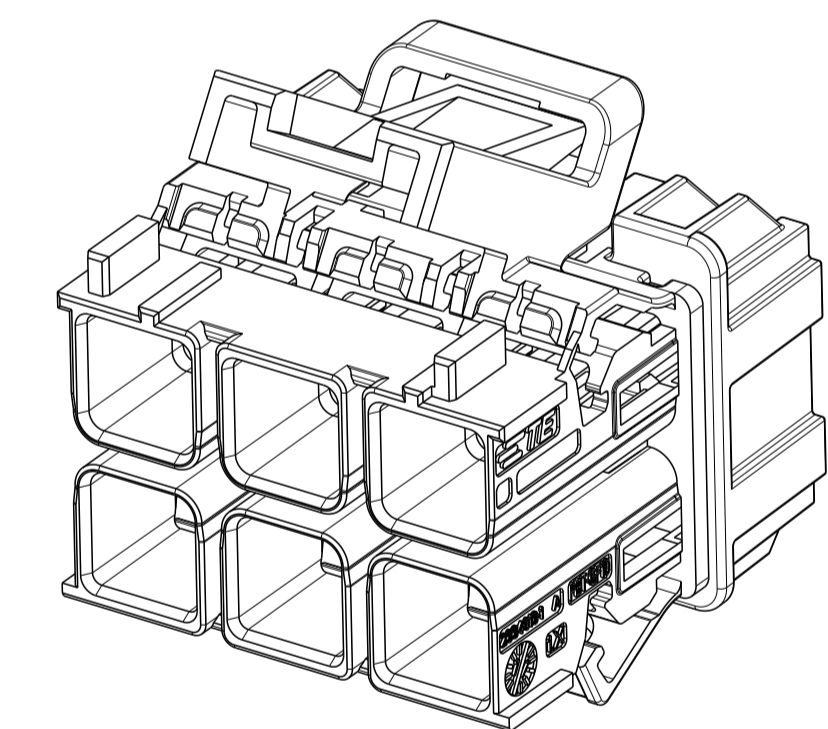
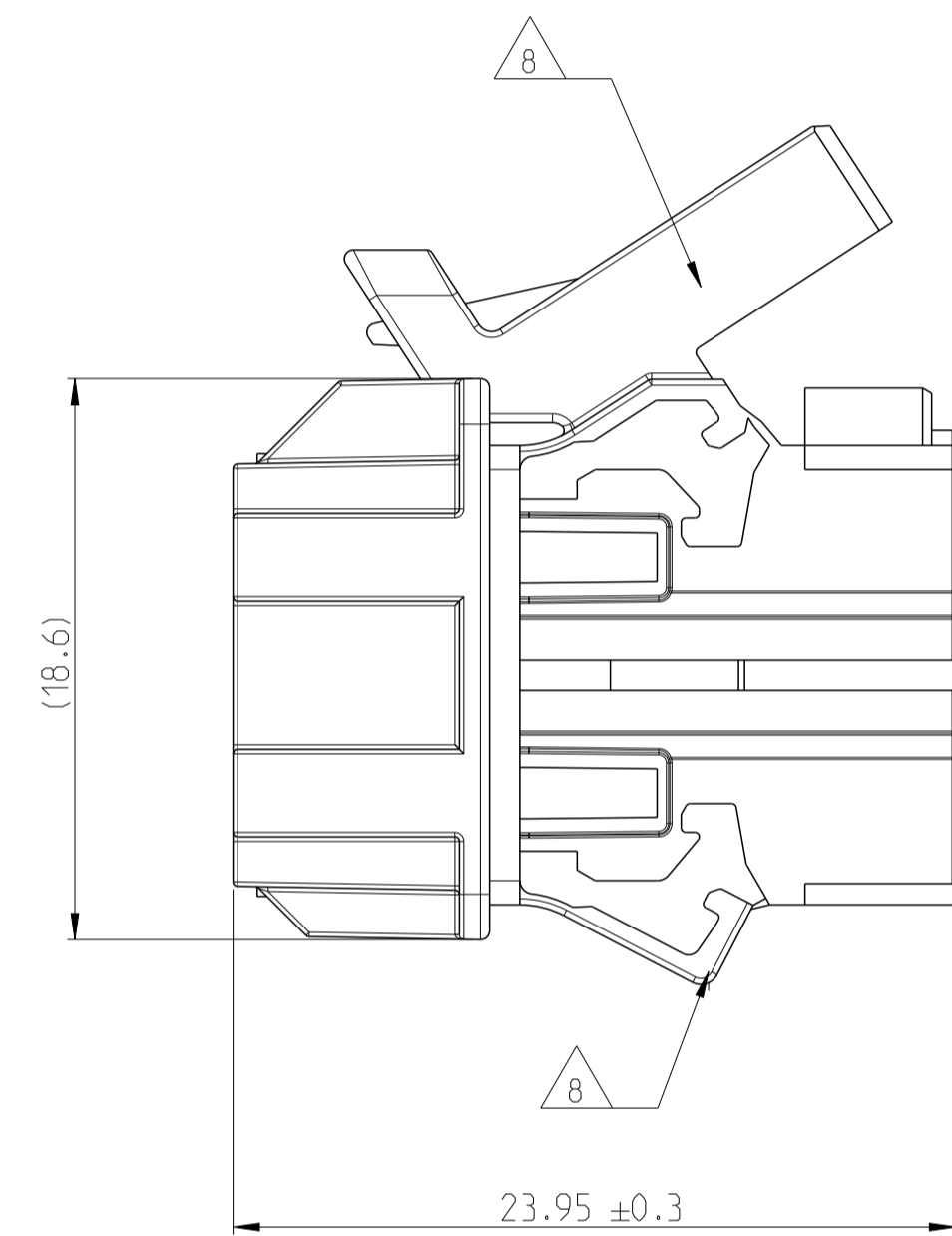
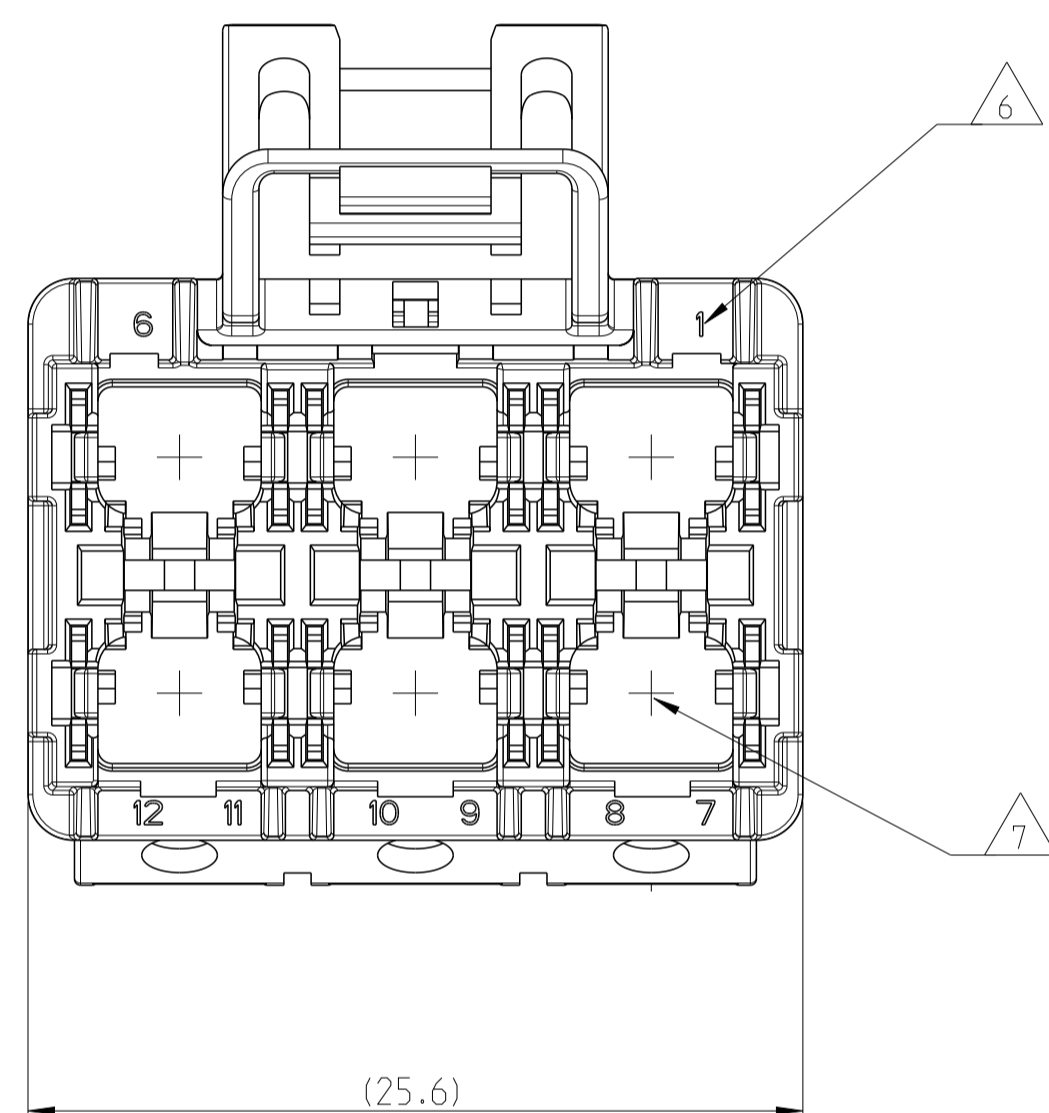
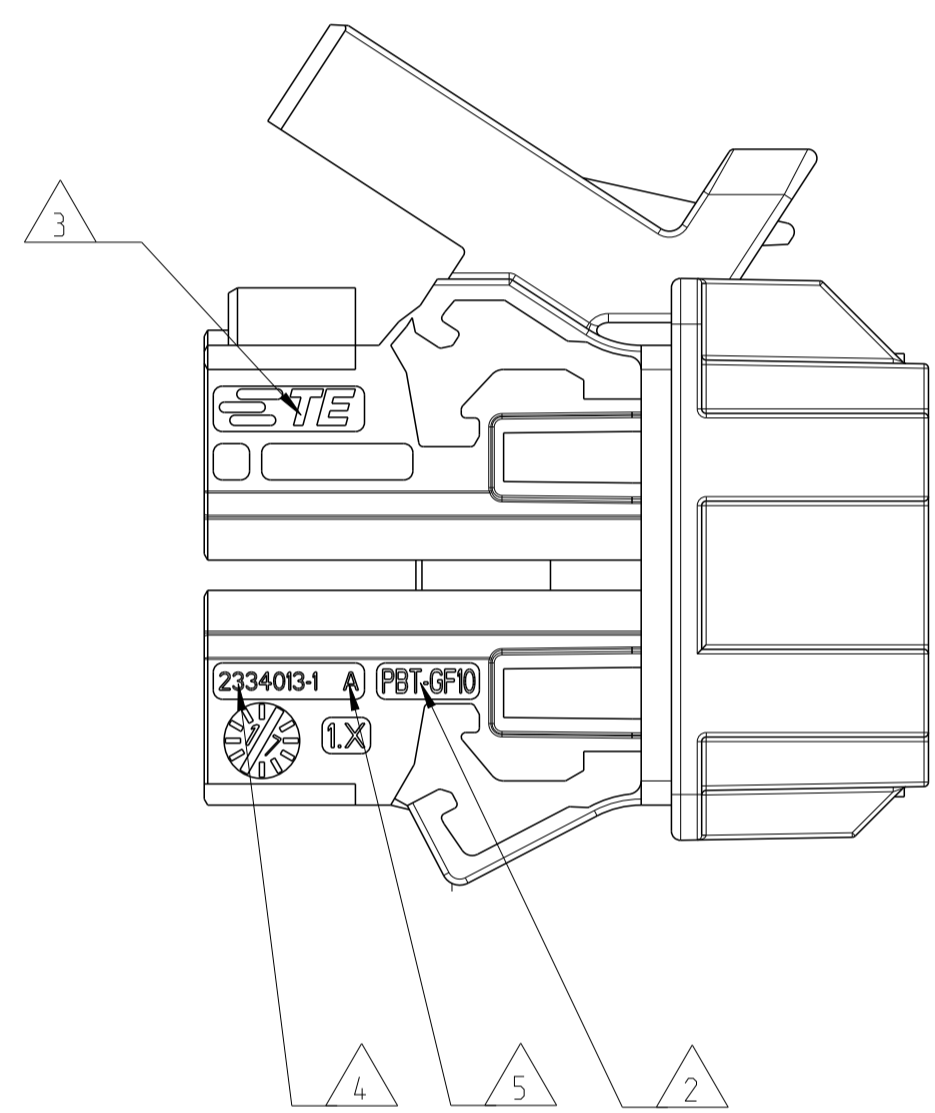
THIS DRAWING IS UNPUBLISHED. RELEASED FOR PUBLICATION  
 © COPYRIGHT ALL RIGHTS RESERVED.

CODINGS ACC. TE INTERFACE DRAWING 208-18037

REVISIONS					
P.	LTN	DESCRIPTION	DATE	DMN	APVD
A1		REVISED (ECO-19-007137)	08MAY19	A.H	W.W
A2		REVISED (ECO-21-003425)	17MAR21	A.H	I.Y
A5		ECN-22-151198	27APR22	H.F	F.P
B		ECN-25-341440	24APR2025	G.Y	F.P



- 1 2334013-1 CODING A AS SHOWN
- 2 MATERIAL MARKING
- 3 TE-LOGO
- 4 TE-PN OF COMPONET "2x3-PORT MATENet FRAME"
- 5 PART REVISION OF COMPONET "2x3-PORT MATENet FRAME"
- 6 CONTACT CAVITY NUMBER
- 7 CAVITY FOR MATENet 2Pos. NanoMQS FEMALE INSERT MODULE TE PN 2302450-X
- 8 DELIVERY CONDITION: RETAINER IN OPEN POSITION
- 9 DELIVERY: LOOSE PIECES IN BAG IN BOX

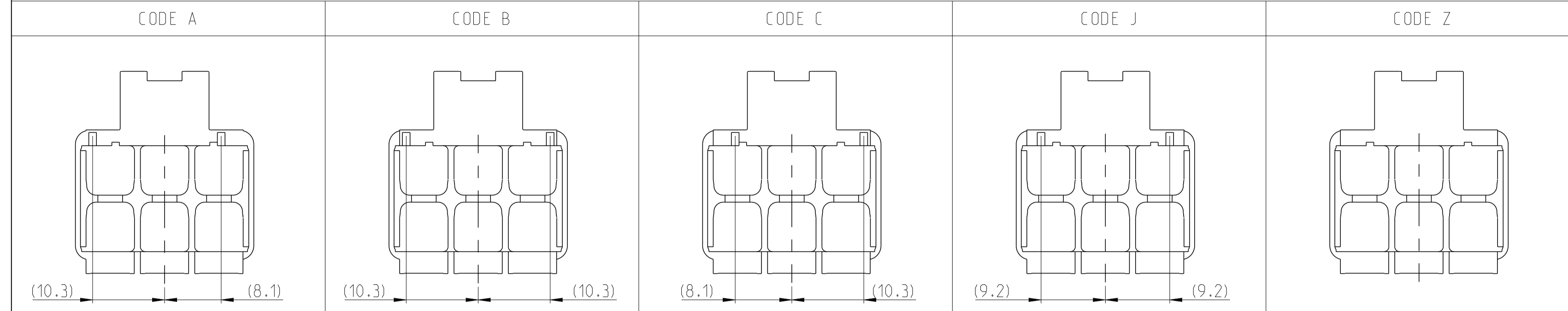


2334013-9	Z	2x3-Port MATENET FRAME, CODE Z	PBT GF-10	WATER-BLUE	4.46	1
2334013-7	J	2x3-Port MATENET FRAME, CODE J	PBT GF-10	BEIGE	4.46	1
2334013-3	C	2x3-Port MATENET FRAME, CODE C	PBT GF-10	BLUE	4.46	1
2334013-2	B	2x3-Port MATENET FRAME, CODE B	PBT GF-10	WHITE	4.46	1
2334013-1	A	2x3-Port MATENET FRAME, CODE A	PBT GF-10	BLACK	4.46	1
ASSY PN	CODE	DESCRIPTION	MATERIAL	COLOR	WEIGHT [g]	POS

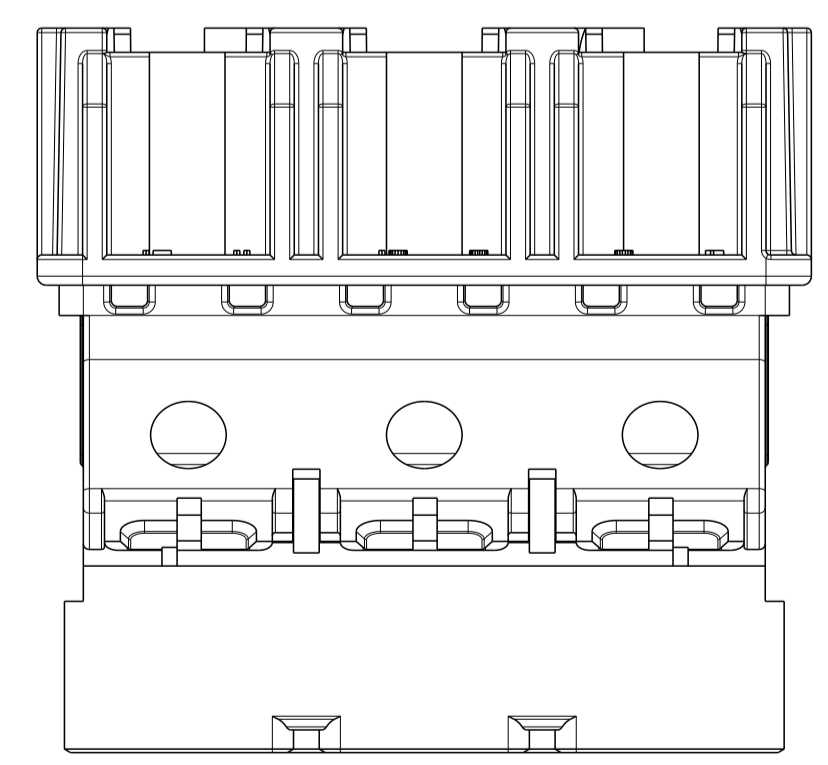
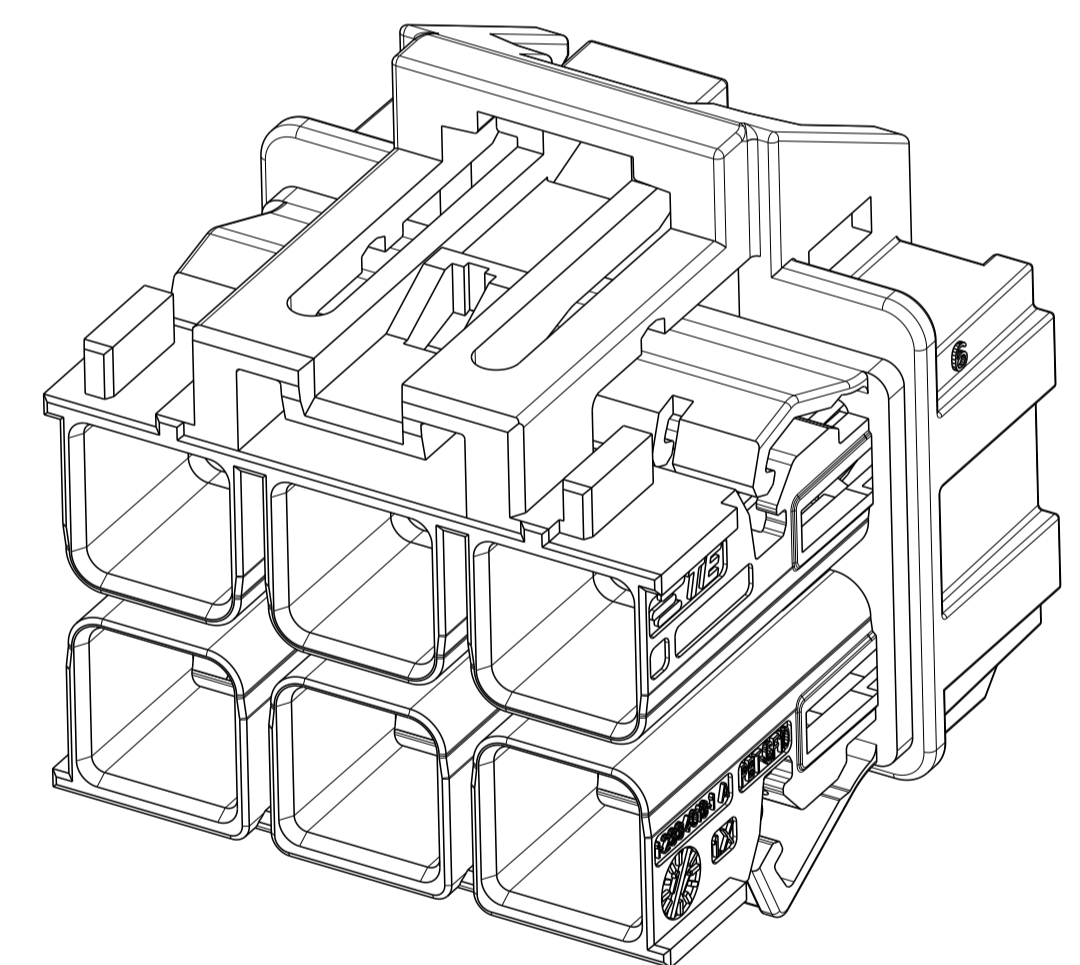
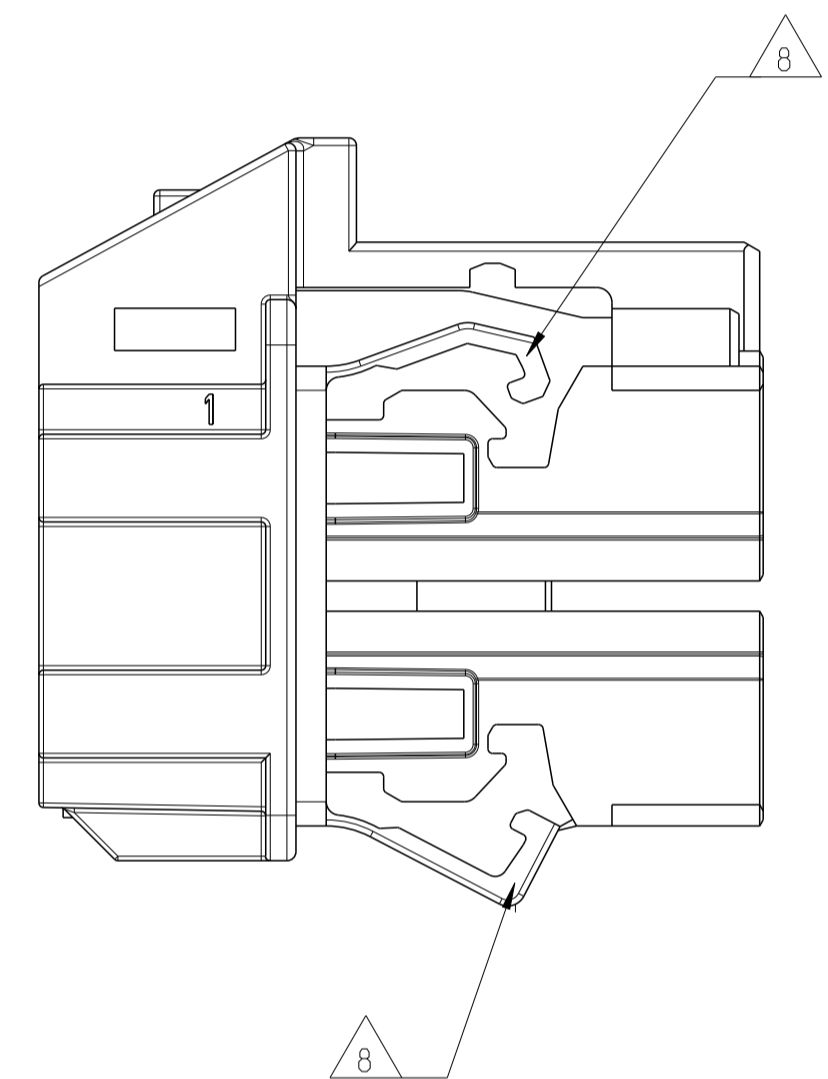
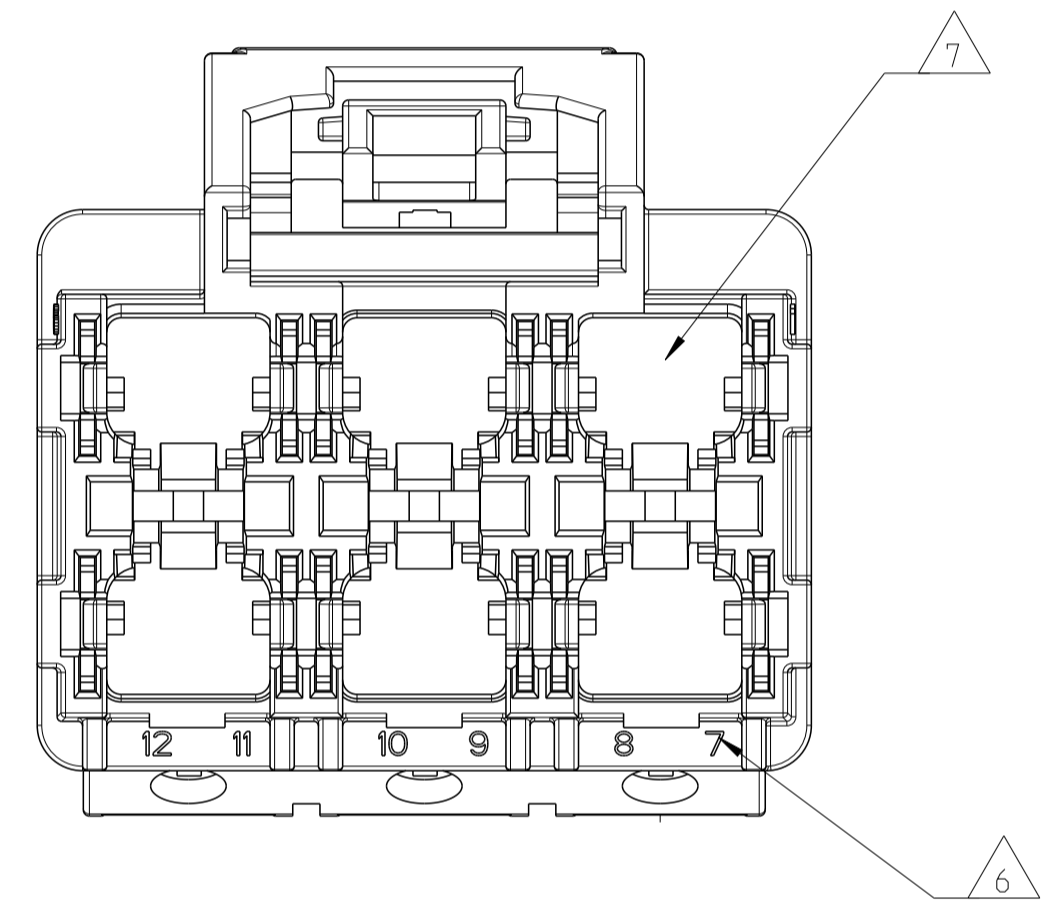
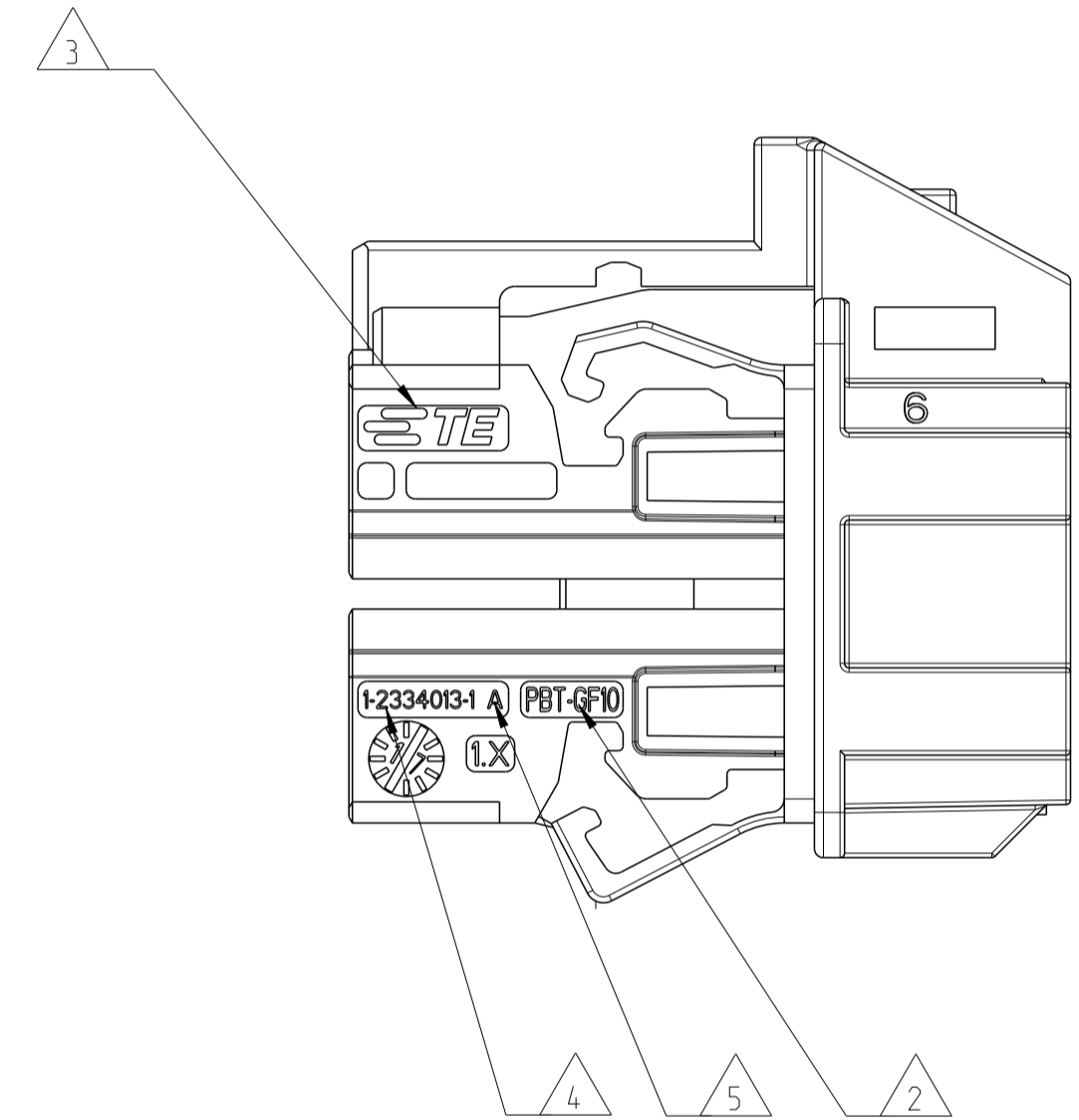
THIS DRAWING IS A CONTROLLED DOCUMENT.		DMN HL-EU 27APR2022	<b>TE</b> TE Connectivity
DIMENSIONS: mm		CHK D.ZHU 27APR2022	
TOLERANCES UNLESS OTHERWISE SPECIFIED:		APVD F.PAN 27APR2022	
0 PLC ±0.3 1 PLC ±0.3 2 PLC ±0.2 3 PLC ±0.2 4 PLC ±0.2 ANGLES ±° FINISH ±μm		NAME MATENET 2X3 PORT PLUG PRODUCT SPEC 108-94568 APPLICATION SPEC 116-94431 WEIGHT - CUSTOMER DRAWING	
MATERIAL see table		SIZE A1	RESTRICTED TO
		CAGE CODE	SCALE 4:1
		DRAWING NO. C=2334013	SHEET 1 OF 2
		REV B	REV B

CODINGS ACC. TE INTERFACE DRAWING 208-18037

REVISIONS				
P	LTN	DESCRIPTION	DATE	APVD
		SEE SHEET 1		



- 1 1-2334013-1 CODING A AS SHOWN
- 2 MATERIAL MARKING
- 3 TE-LOGO
- 4 TE-PN OF COMPONET "2x3-PORT MATENET FRAME"
- 5 PART REVISION OF COMPONET "2x3-PORT MATENET FRAME"
- 6 CONTACT CAVITY NUMBER
- 7 CAVITY FOR MATENET 2Pos. NanoMQS FEMALE INSERT MODULE TE PN 2302450-X
- 8 DELIVERY CONDITION: RETAINER IN OPEN POSITION
- 9 DELIVERY: LOOSE PIECES IN BAG IN BOX



ASSY PN	CODE	DESCRIPTION	MATERIAL	COLOR	WEIGHT (g)	POS
1-2334013-9	Z	2x3-Port MATENET FRAME, CODE Z	PBT GF-10	WATER-BLUE	4.56	1
1-2334013-7	J	2x3-Port MATENET FRAME, CODE J	PBT GF-10	BEIGE	4.56	1
1-2334013-3	C	2x3-Port MATENET FRAME, CODE C	PBT GF-10	BLUE	4.56	1
1-2334013-2	B	2x3-Port MATENET FRAME, CODE B	PBT GF-10	WHITE	4.56	1
1-2334013-1	A	2x3-Port MATENET FRAME, CODE A	PBT GF-10	BLACK	4.56	1

THIS DRAWING IS A CONTROLLED DOCUMENT. DIMENSIONS: mm. TOLERANCES UNLESS OTHERWISE SPECIFIED: 0 PLC ±0.3, 1 PLC ±0.3, 2 PLC ±0.2, 3 PLC ±, 4 PLC ±, ANGLES ±, FINISH ±.

OWN: HL-EU, 27APR2022. CHK: D.ZHU, 27APR2022. E.DAN: 27APR2022. NAME: MATENET 2X3 PORT PLUG. PRODUCT SPEC: 108-94568. APPLICATION SPEC: 114-94431. WEIGHT: -.

SCALE: 4:1. SHEET: 2 OF 2. REV: B.

TE Connectivity logo and 'CUSTOMER DRAWING' text.