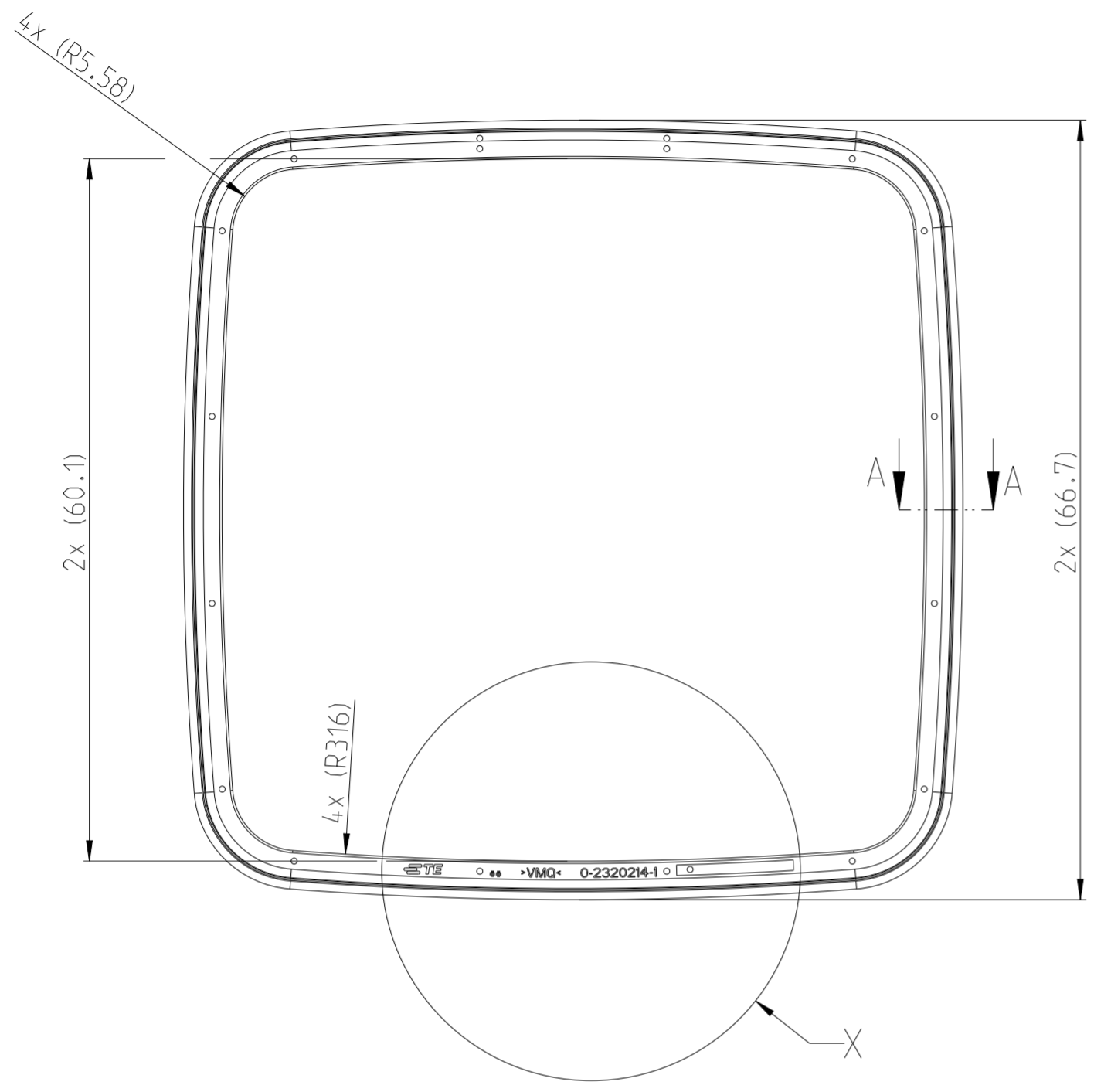


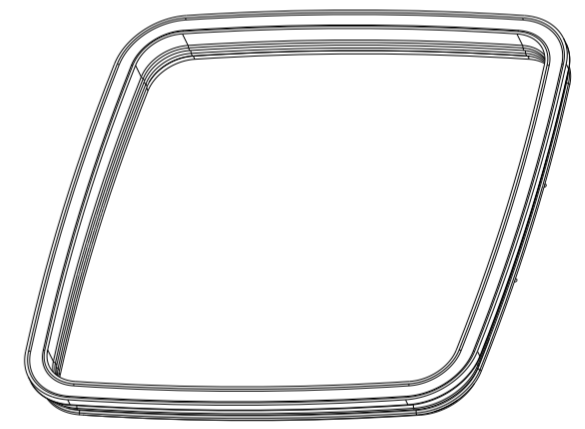
THIS DRAWING IS UNPUBLISHED. RELEASED FOR PUBLICATION
COPYRIGHT copyright_date BY - ALL RIGHTS RESERVED.

REVISIONS					
P	LTR	DESCRIPTION	DATE	DWN	APVD
A		NEW DRAWING	18DEC2017	AHM	FWI
A1		NEW VARIANT 9-2320214-1 ADDED	17MAY2018	TD	DWE
B		MATERIAL CHANGED FOR 2320214-1	19AUG2021	HKS	MSC

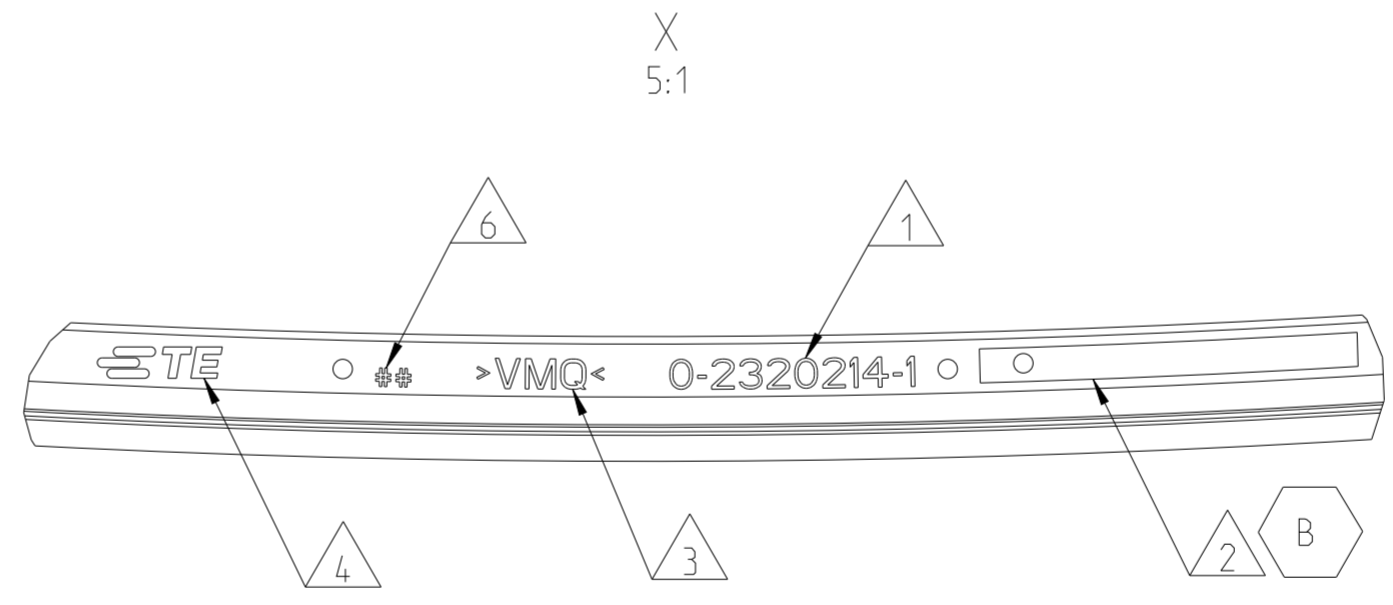
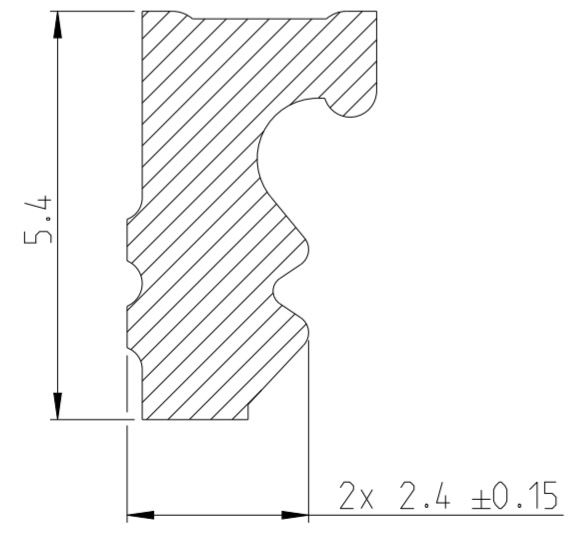


- 1 TE PART NUMBER
- 2 AREA FOR PART REVISION MARKING AS SHOWN (REVISION A WITHOUT MARKING, REV.B=ONE DOT, REV.C=TWO DOTS...)
- 3 MATERIAL MARKING
- 4 TE TRADEMARK
- 5 BULK PACKAGING IN PLASTIC BAG AND CORRUGATED. SHIPPING BOX
- 6 CAVITY MARKING

AS SHOWN
0-2320214-1
1:1



A-A
10:1



2320214-1	B	PERIPHERAL SEAL, CHARGE INLET.AC	VMQ	2.94	LIGHT BLUE
9-2320214-1	A	PERIPHERAL SEAL, CHARGE INLET.AC	VMQ	2.82	LIGHT BLUE
TE PART NO.	REV	DESCRIPTION	MATERIAL	WEIGHT [g]	COLOUR

THIS DRAWING IS A CONTROLLED DOCUMENT. DIMENSIONING AND TOLERANCING PER GPS (ISO STANDARDS).

DIMENSIONS: mm	TOLERANCES UNLESS OTHERWISE SPECIFIED: TE115-1228-2 / A2	DWN: Aravind H.M. 18DEC2017	TE Connectivity PERIPHERAL SEAL,63.63,CHARGE INLET.AC
		CHK: C.Ringlletter 18DEC2017	
		APVD: F. Wittrock 18DEC2017	NAME
			SIZE: A2
MATERIAL: SEE TABLE			CAGE CODE: 00779
			DRAWING NO: C-2320214
			RESTRICTED TO: -
			SCALE: 2:1
			SHEET: 1 OF 1
			REV: B