

2295321-6 ✓ ACTIVE

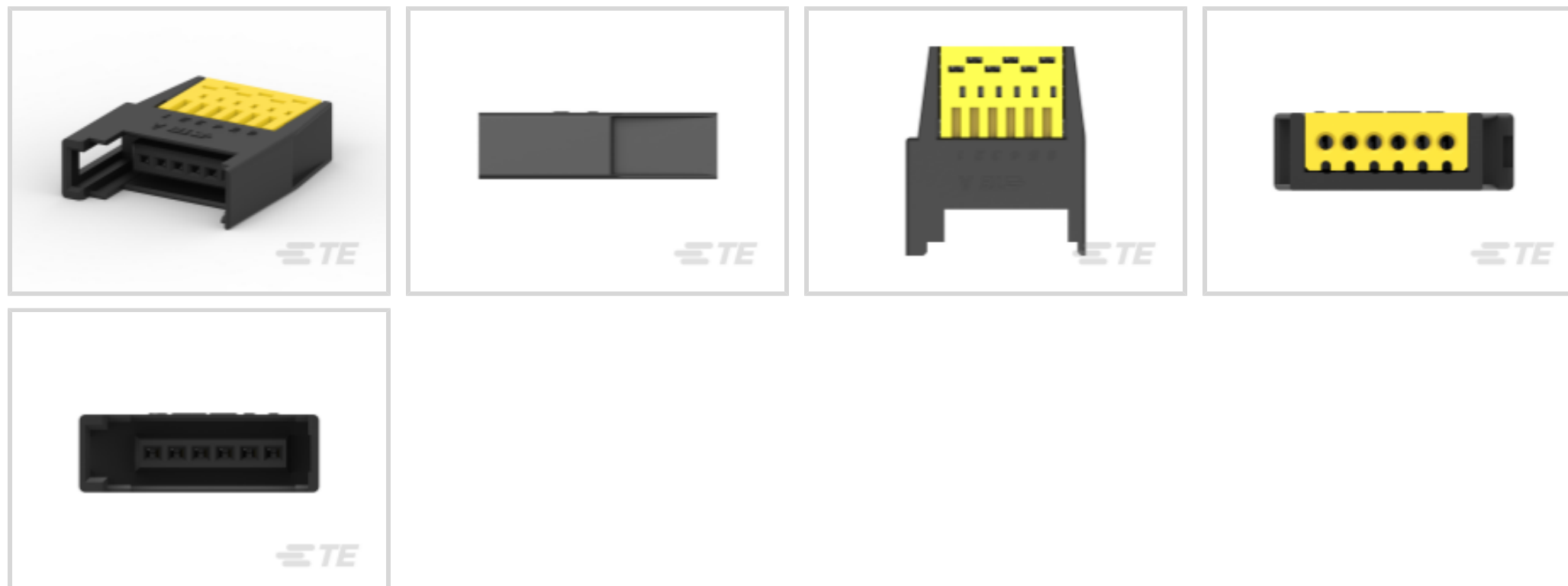
TE Internal #: 2295321-6

6 Position, Receptacle, Connector Assembly, Crimp, Wire-to-Board,  
Gold (Au), UL 94V-0, .079 in Centerline, 1 Row, Wire & Cable, Signal

[View on TE.com >](#)



Connectors > Rectangular Connectors > Standard Rectangular Connectors



Connector Product Type: **Connector Assembly**

Mating Alignment: **With**

Mating Alignment Type: **Polarization**

Connector & Housing Type: **Receptacle**

Mating Retention Type: **Latch**

## Features

### Product Type Features

Connector Product Type	Connector Assembly
Connector & Housing Type	Receptacle
Connector System	Wire-to-Board
Sealable	No
Connector & Contact Terminates To	Wire & Cable

### Configuration Features

Contacts Preloaded	Yes
Number of Positions	6
Number of Rows	1

### Electrical Characteristics

Operating Voltage	32 VDC
-------------------	--------

### Body Features

Primary Product Color	Yellow
-----------------------	--------

### Contact Features

Contact Underplating Material	Nickel
-------------------------------	--------



Wire Contact Termination Area Plating Material	Tin
Contact Layout	Inline
Contact Type	Socket
Contact Mating Area Plating Material	Gold (Au)
Contact Retention Within Housing	Without
Contact Current Rating (Max)	3 A

#### Termination Features

Termination Method to Wire & Cable	Crimp
------------------------------------	-------

#### Mechanical Attachment

Mating Alignment	With
Mating Alignment Type	Polarization
Mating Retention Type	Latch
Mating Retention	With

#### Housing Features

Housing Material	Thermoplastic GF
------------------	------------------

#### Dimensions

Connector Width	8.6 mm[.338 in]
Connector Height	23 mm[.905 in]
Connector Length	19.8 mm[.779 in]

#### Usage Conditions

Operating Temperature Range	-30 – 75 °C[-22 – 167 °F]
-----------------------------	---------------------------

#### Operation/Application

Halogen Free	Yes
Shielded	No
Circuit Application	Signal

#### Identification Marking

Circuit Identification Feature	Without
--------------------------------	---------

#### Industry Standards

Glow Wire Rating	Standard Part - Not Glow Wire
UL Flammability Rating	UL 94V-0

#### Packaging Features



Packaging Quantity	24
Packaging Method	Tube

### Product Compliance

[For compliance documentation, visit the product page on TE.com>](#)

EU RoHS Directive 2011/65/EU	Compliant
EU ELV Directive 2000/53/EC	Compliant
China RoHS 2 Directive MIIT Order No 32, 2016	No Restricted Materials Above Threshold
EU REACH Regulation (EC) No. 1907/2006	Current ECHA Candidate List: JAN 2025 (247) Candidate List Declared Against: JAN 2025 (247) Does not contain REACH SVHC
Halogen Content	Not Low Halogen - contains Br or Cl > 900 ppm.
Solder Process Capability	Wave solder capable to 265°C

#### Product Compliance Disclaimer

This information is provided based on reasonable inquiry of our suppliers and represents our current actual knowledge based on the information they provided. This information is subject to change. The part numbers that TE has identified as EU RoHS compliant have a maximum concentration of 0.1% by weight in homogenous materials for lead, hexavalent chromium, mercury, PBB, PBDE, DBP, BBP, DEHP, DIBP, and 0.01% for cadmium, or qualify for an exemption to these limits as defined in the Annexes of Directive 2011/65/EU (RoHS2). Finished electrical and electronic equipment products will be CE marked as required by Directive 2011/65/EU. Components may not be CE marked. Additionally, the part numbers that TE has identified as EU ELV compliant have a maximum concentration of 0.1% by weight in homogenous materials for lead, hexavalent chromium, and mercury, and 0.01% for cadmium, or qualify for an exemption to these limits as defined in the Annexes of Directive 2000/53/EC (ELV). Regarding the REACH Regulation, the information TE provides on SVHC in articles for this part number is based on the latest European Chemicals Agency (ECHA) 'Guidance on requirements for substances in articles' posted at this URL: <https://echa.europa.eu/guidance-documents/guidance-on-reach>

### Compatible Parts



### Customers Also Bought



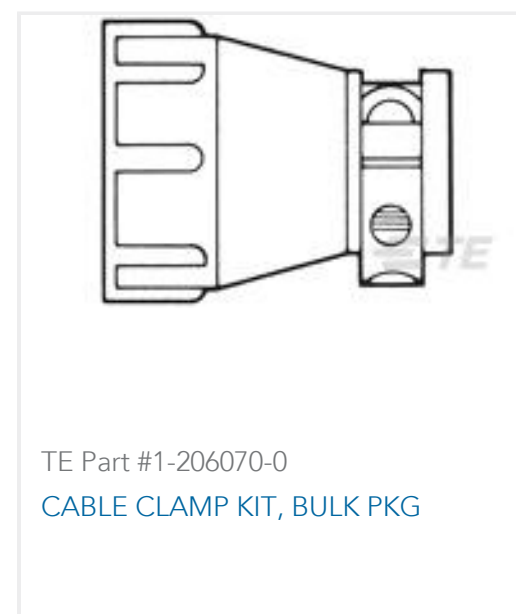
TE Part #1-175196-5  
DYNAMIC D-3 REC CONT/L PRE-TIN



TE Part #206060-1  
CPC PLUG ASSEMBLY SIZE 11-4



TE Part #1-206062-4  
CABLE CLAMP KIT #11



TE Part #1-206070-0  
CABLE CLAMP KIT, BULK PKG



TE Part #206151-2  
23-37 F.H. RECEPT



TE Part #206966-7  
CABLE SHELL CLAMP SIZE 13



TE Part #1743156-2  
3pos MOS .63 header 180deg



TE Part #2069577-1  
MINI I/O PLUG CONN KIT(100 PC) D1



TE Part #2069578-1  
MINI I/O PLUG CONN KIT(100 PC) D-2



TE Part #4-2295044-6  
RITS CONN. PLUG ASSY 6P GREEN TIN

## Documents

### Product Drawings

[RITS CONN. SOCKET ASSY 6P YELLOW TIN](#)

English

### CAD Files

[3D PDF](#)

3D

Customer View Model

[ENG\\_CVM\\_CVM\\_2295321-6\\_A.2d\\_dxf.zip](#)

English

Customer View Model

[ENG\\_CVM\\_CVM\\_2295321-6\\_A.3d\\_igs.zip](#)

English

Customer View Model

[ENG\\_CVM\\_CVM\\_2295321-6\\_A.3d\\_stp.zip](#)

English

By downloading the CAD file I accept and agree to the [Terms and Conditions](#) of use.

### Product Specifications



## Product Specification

Japanese

---

## Instruction Sheets

### Instruction Sheet (non U.S.)

Japanese

### RITS Connector Interconnection System/e-CON Connector

Japanese

### Instruction Sheet (non U.S.)

Japanese

### HAND TOOL FOR RITS PLUG SOCKET ASSEMBLY

Japanese