

2294562-1 ✓ ACTIVE

MATE-N-LOK | Universal MATE-N-LOK

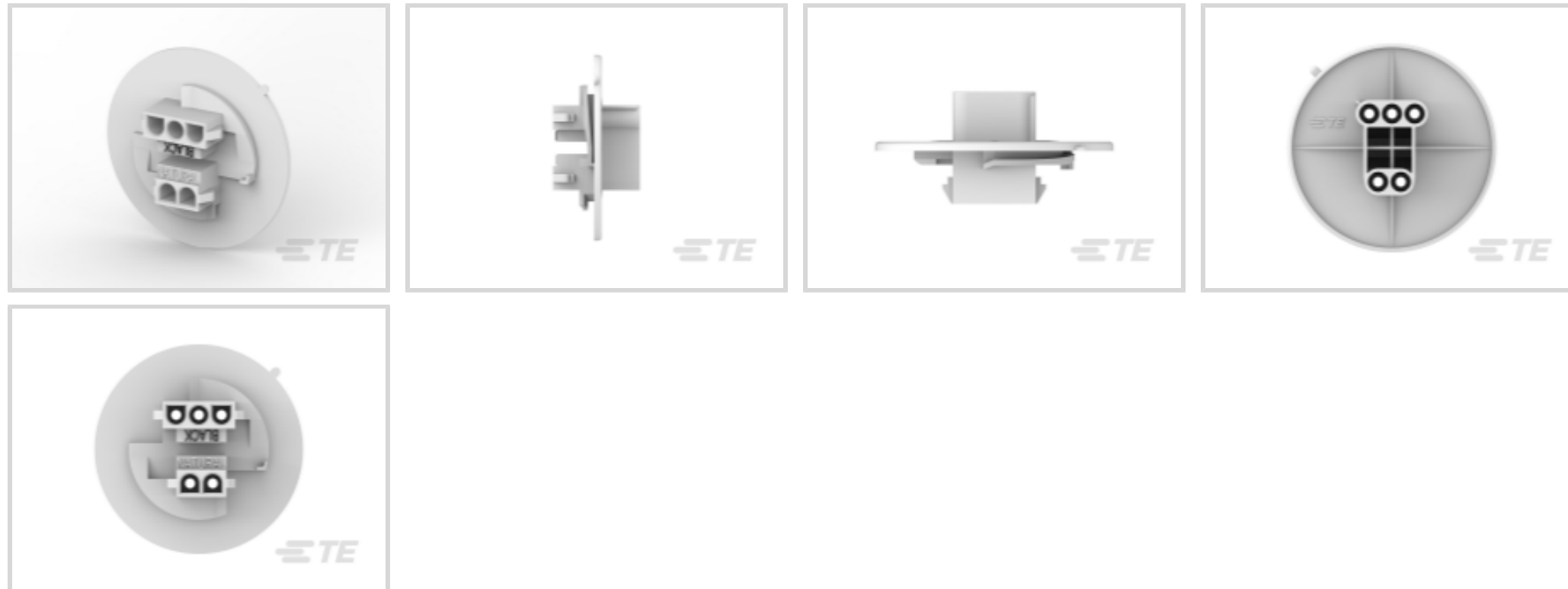
TE Internal #: 2294562-1

5 Position, Cap, Housing, Crimp, Wire-to-Wire, UL 94V-2, 6.35 mm [.25 in] Centerline, 2 Row, 600 VAC, Wire & Cable, Universal MATE-N-LOK

[View on TE.com >](#)



Connectors > Rectangular Connectors > Standard Rectangular Connectors



Connector Product Type: **Housing**

Connector & Housing Type: **Cap**

Termination Method to Wire & Cable: **Crimp**

Connector System: **Wire-to-Wire**

Contact Retention Within Housing: **Without**

## Features

### Product Type Features

Connector Product Type	Housing
Connector & Housing Type	Cap
Connector System	Wire-to-Wire
Sealable	No
Connector & Contact Terminates To	Wire & Cable

### Configuration Features

Number of Positions	5
Number of Rows	2

### Electrical Characteristics

Operating Voltage	600 VDC
-------------------	---------

### Body Features

Primary Product Color	Natural
-----------------------	---------

### Contact Features

--	--



Multiple Contact Types	Without
Contact Layout	Matrix
Contact Retention Within Housing	Without
Contact Type	Pin
Contact Current Rating (Max)	19 A

### Termination Features

Termination Method to Wire & Cable	Crimp
------------------------------------	-------

### Mechanical Attachment

Connector Mounting Type	Panel Mount
-------------------------	-------------

### Housing Features

Centerline (Pitch)	6.35 mm [.25 in]
Housing Material	Nylon

### Dimensions

Row-to-Row Spacing	6.35 mm [.25 in]
--------------------	------------------

### Usage Conditions

Operating Temperature Range	-55 – 105 °C [-67 – 221 °F]
-----------------------------	-----------------------------

### Operation/Application

Circuit Application	Power & Signal
---------------------	----------------

### Industry Standards

Compatible With Approved Standards Products	UL E28476
UL Flammability Rating	UL 94V-2
Glow Wire Rating	Standard Part - Not Glow Wire

### Packaging Features

Packaging Method	Package
------------------	---------

### Product Compliance

[For compliance documentation, visit the product page on TE.com>](#)

EU RoHS Directive 2011/65/EU	Compliant
EU ELV Directive 2000/53/EC	Compliant
China RoHS 2 Directive MIIT Order No 32, 2016	No Restricted Materials Above Threshold
EU REACH Regulation (EC) No. 1907/2006	Current ECHA Candidate List: JAN 2025 (247)



Candidate List Declared Against: JAN 2025  
(247)

Does not contain REACH SVHC

Halogen Content	Low Halogen - Br, Cl, F, I < 900 ppm per homogenous material. Also BFR/CFR/PVC Free
Solder Process Capability	Not reviewed for solder process capability

Product Compliance Disclaimer

This information is provided based on reasonable inquiry of our suppliers and represents our current actual knowledge based on the information they provided. This information is subject to change. The part numbers that TE has identified as EU RoHS compliant have a maximum concentration of 0.1% by weight in homogenous materials for lead, hexavalent chromium, mercury, PBB, PBDE, DBP, BBP, DEHP, DIBP, and 0.01% for cadmium, or qualify for an exemption to these limits as defined in the Annexes of Directive 2011/65/EU (RoHS2). Finished electrical and electronic equipment products will be CE marked as required by Directive 2011/65/EU. Components may not be CE marked. Additionally, the part numbers that TE has identified as EU ELV compliant have a maximum concentration of 0.1% by weight in homogenous materials for lead, hexavalent chromium, and mercury, and 0.01% for cadmium, or qualify for an exemption to these limits as defined in the Annexes of Directive 2000/53/EC (ELV). Regarding the REACH Regulation, the information TE provides on SVHC in articles for this part number is based on the latest European Chemicals Agency (ECHA) 'Guidance on requirements for substances in articles' posted at this URL: <https://echa.europa.eu/guidance-documents/guidance-on-reach>

### Compatible Parts



TE Part # 1-480705-0  
06P UMNL CAP HSG NATL



TE Part # 794536-1  
06P UMNL CAP HSG 150C BLK



TE Part # 794714-3  
06P UMNL CAP HSG RED,PAN MNT



TE Part # 794741-2  
09P UMNL PLUG HSG NATL, GWI-V2



TE Part # 350736-1  
15P UMNL PLUG HSG



TE Part # 1-480710-0  
15P UMNL PLUG HSG NATL



TE Part # 794535-1  
06P UMNL PLUG HSG 150C BLK



TE Part # 350715-1  
06P UMNL PLUG HSG



TE Part # 1586860-1  
06P UMNL CAP HSG, GW

### Also in the Series | Universal MATE-N-LOK



Circular Power Connectors(2)



Connector Caps & Covers(34)



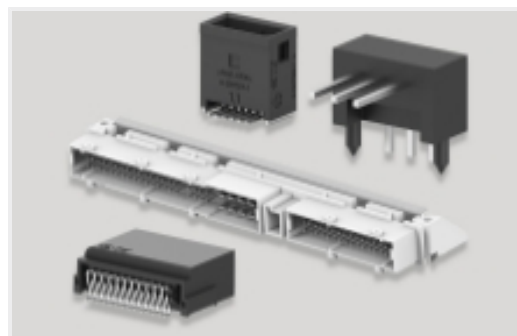
Connector Seals & Cavity Plugs(27)



Connector Strain Relief(7)



Insertion & Extraction Tools(4)



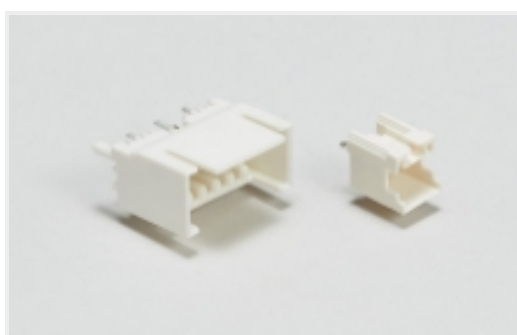
PCB Headers & Receptacles(285)



Rectangular Power Connectors(643)

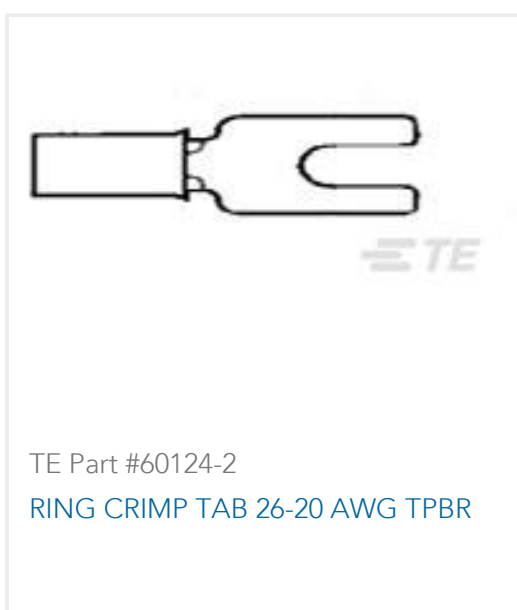


Standard Circular Connectors(1)



Wire-to-Board Headers & Receptacles  
(285)

### Customers Also Bought



TE Part #60124-2  
RING CRIMP TAB 26-20 AWG TPBR



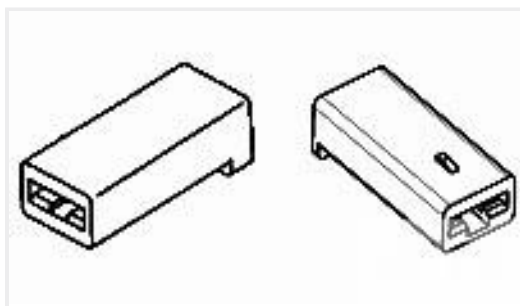
TE Part #176292-2  
UNIV POWER CAP HSG 2P P/MOUNT



TE Part #176498-4  
POSITIVE LOCK 187 (4.8 MM)  
HOUSING



TE Part #176498-6  
PL MKII 187 REC HSG 2P NYLON BLUE



TE Part #480054-5  
FF 250 REC HSG 1P NYLON RED



TE Part #770336-1  
04P .093 COMM P&S PLUG .250CL



TE Part #794715-1  
09P UMNL CAP HSG NATL, PAN MNT



TE Part #1599186-2  
HSG ASSY 76 POSN SOCKET CONT



TE Part #5-2232264-3  
PTL 2X3 CAP PANEL MT GLW WIRE  
KEY A DGR



TE Part #1-2834068-3  
PIN CONTACT, MINIATURE  
WATERPROOF CONN

## Documents

### Product Drawings

#### UMNL TWIST-N-LOK, 5POS, CAP HOUSING

English

### CAD Files

#### 3D PDF

3D

#### Customer View Model

[ENG\\_CVM\\_CVM\\_2294562-1\\_B.2d\\_dxf.zip](#)

English

#### Customer View Model

[ENG\\_CVM\\_CVM\\_2294562-1\\_B.3d\\_igs.zip](#)

English

#### Customer View Model

[ENG\\_CVM\\_CVM\\_2294562-1\\_B.3d\\_stp.zip](#)

English

By downloading the CAD file I accept and agree to the [Terms and Conditions](#) of use.

### Product Specifications

#### Application Specification

English

### Agency Approvals

#### UL

English