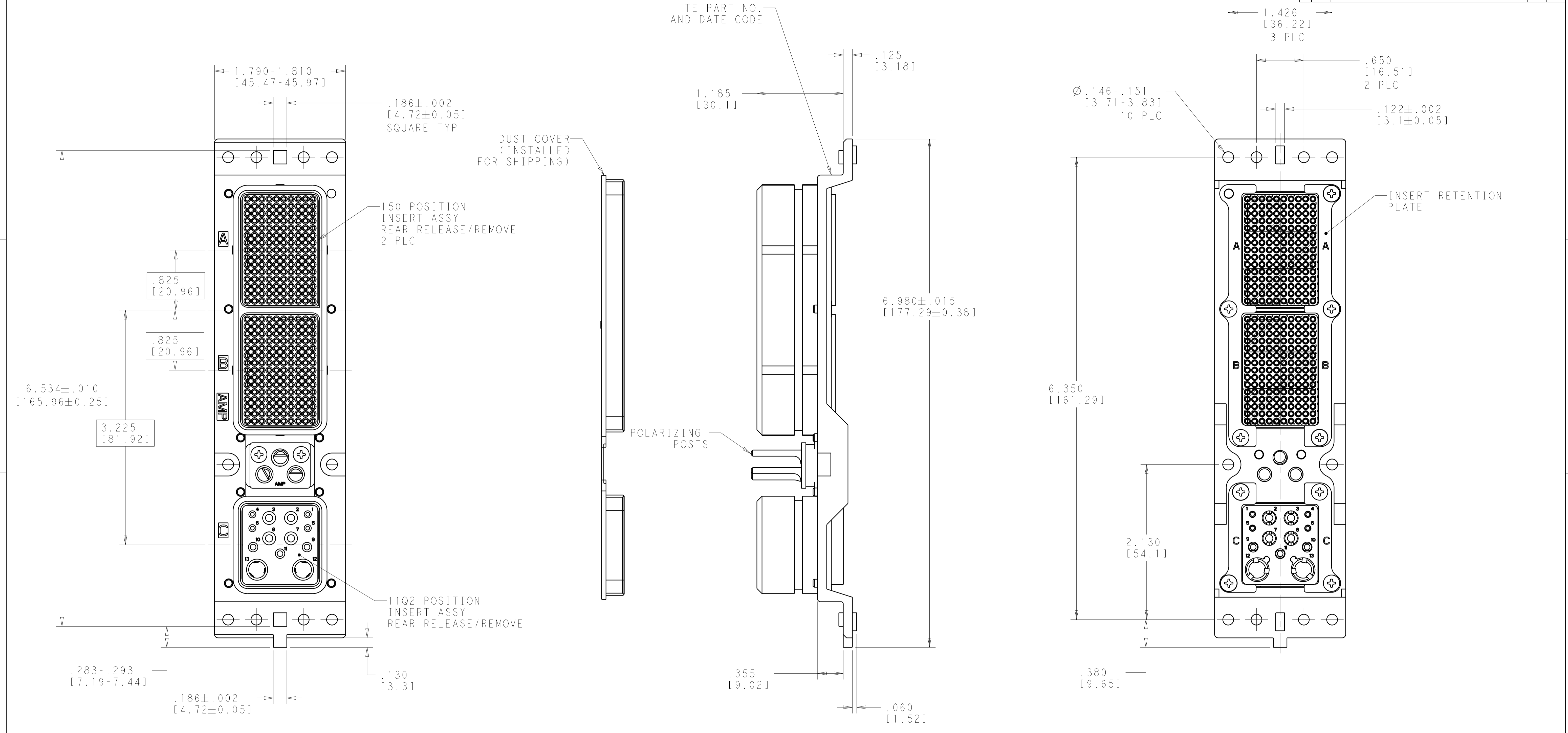


LOC		DIST		REVISIONS			
P	LTN	DESCRIPTION	DATE	DMN	APVD		
A		RELEASED	9-21-15	CT	MS		



COMPONENT	MATERIAL	FINISH
SHELL	DIE CAST ALUMINUM PER ASTM-B-85	CHEMICAL COVERSION COATING PER MIL-DTL-5541, CLASS 1A
INSERT RETENTION PLATES	ALUMINUM ALLOY PER ASTM-B-209	CHEMICAL COVERSION COATING PER MIL-DTL-5541, CLASS 1A
SCREWS AND LOCKWASHERS	STEEL OR STAINLESS STEEL	CHROMATE OVER ZINC OR PASSIVATED
POLARIZING POSTS	ZINC ALLOY PER ASTM-B-86	ELECTROLESS NICKEL PER MIL-C-28074 CLASS 4, GRADE B
INSERTS	THERMOSET OR THERMOPLASTIC	-
POLARIZING RETAINING PLATE	ALUMINUM ALLOY PER ASTM-B-209	BLUE ANODIZED PER MIL-A-8625

- CONNECTOR DIMENSIONS ARE PER ARINC 600 SPECIFICATION
- DUST COVER IS INSTALLED FOR SHIPPING.
- KEYING INSTALLED IN POSITION "02" AS SHOWN.

CONTACTS INCLUDED AND NOT INSTALLED		KEYING POSITION	PART NUMBER
MODULE A SZ 22 CRIMP PIN CONTACT, TE P/N 208262-3 (QTY = 150) MODULE B SZ 22 CRIMP PIN CONTACT, TE P/N 208262-3 (QTY = 150) MODULE C SZ 20 CRIMP SOCKET CONTACT, TE P/N 208267-2 (QTY = 4) SZ 16 CRIMP SOCKET CONTACT, TE P/N 208270-2 (QTY = 3) SZ 12 CRIMP SOCKET CONTACT, TE P/N 208273-2 (QTY = 4) SZ 8 CONTACT, TE P/N 1445693-1 (QTY = 2)		"02"	2294382-1

THIS DRAWING IS A CONTROLLED DOCUMENT.

APVD: C.C. THOMAS 7-15-15
 CHK: R. GROSS 7-15-15
 PRODUCT SPEC: R. GROSS 7-15-15
 APPLICATION SPEC: R. GROSS 7-15-15

DIMENSIONS: INCHES [mm]

TOLERANCES UNLESS OTHERWISE SPECIFIED:

0 PLC ±.005 (0.13)
 1 PLC ±.005 (0.13)
 2 PLC ±.005 (0.13)
 3 PLC ±.005 (0.13)
 4 PLC ±.005 (0.13)
 ANGLES ±.005 (0.13)

MATERIAL: SEE TABLE
 FINISH: SEE TABLE

WEIGHT: -
 RESTRICTED TO: -

Customer Drawing

SCALE: 3:2 SHEET 1 OF 1 REV A

STE TE Connectivity

NAME: PLUG ASSY, SIZE 2, ARINC 600, (150/150/1102)

SIZE: A100779
 CAGE CODE: -
 DRAWING NO: -
 DRAWING NO: 2294382