

2293271-3 ✓ ACTIVE

AMP+ | Charging Inlets

TE Internal #: 2293271-3

Automotive Terminals, Socket, Pin Diameter 5.5 mm [.216 in], 9 AWG Wire Size, 6 mm² Wire Size, Silver (Ag) Interface Plating, Charging Inlets

[View on TE.com >](#)



Terminals & Splices > Automotive Terminals



Terminal Type: **Socket**

Mating Pin Diameter: **5.5 mm [.216 in]**

Wire Size: **6 mm²**

Sealable: **No**

Features

Product Type Features

Receptacle Style	180°
Sealable	No
Primary Locking Feature	Integrated in Housing

Contact Features

Contact Size	6mm
Contact Fabrication	Solid
Terminal Type	Socket
Mating Pin Diameter	5.5 mm[.216 in]
Interface Plating	Silver (Ag)

Termination Features

Termination Method to Wire & Cable	Crimp
Product Terminates To	Wire & Cable

Dimensions

Wire Size	6 mm ²
-----------	-------------------



Tab Length	57.54 mm[2.265 in]
------------	--------------------

Usage Conditions

Insulation Option	Uninsulated
-------------------	-------------

Operation/Application

Compatible With Wire Base Material	Copper
------------------------------------	--------

Packaging Features

Packaging Quantity	100
--------------------	-----

Packaging Method	Carton
------------------	--------

Product Compliance

[For compliance documentation, visit the product page on TE.com>](#)

EU RoHS Directive 2011/65/EU	Compliant with Exemptions
------------------------------	---------------------------

EU ELV Directive 2000/53/EC	Compliant with Exemptions
-----------------------------	---------------------------

China RoHS 2 Directive MIIT Order No 32, 2016	Restricted Materials Above Threshold
---	--------------------------------------

EU REACH Regulation (EC) No. 1907/2006	<p>Current ECHA Candidate List: JAN 2024 (240)</p> <p>Candidate List Declared Against: JAN 2024 (240)</p> <p>SVHC > Threshold:</p> <p>Pb (2.5% in Component Part)</p> <p>Article Safe Usage Statements: Do not eat, drink or smoke when using this product. Wash thoroughly after handling. Recycle if possible and dispose of the article by following all applicable governmental regulations relevant to your geographic location.</p>
--	---

Halogen Content	Low Halogen - Br, Cl, F, I < 900 ppm per homogenous material. Also BFR/CFR/PVC Free
-----------------	---

Solder Process Capability	Not reviewed for solder process capability
---------------------------	--

Product Compliance Disclaimer

This information is provided based on reasonable inquiry of our suppliers and represents our current actual knowledge based on the information they provided. This information is subject to change. The part numbers that TE has identified as EU RoHS compliant have a maximum concentration of 0.1% by weight in homogenous materials for lead, hexavalent chromium, mercury, PBB, PBDE, DBP, BBP, DEHP, DIBP, and 0.01% for cadmium, or qualify for an exemption to these limits as defined in the Annexes of Directive 2011/65/EU (RoHS2). Finished electrical and electronic equipment products will be CE marked as required by Directive 2011/65/EU. Components may not be CE marked. Additionally, the part numbers that TE has identified as EU ELV compliant have a maximum concentration of 0.1% by weight in homogenous materials for lead, hexavalent chromium, and mercury, and 0.01% for cadmium, or qualify for an exemption to these limits as defined in the Annexes of Directive 2000/53/EC (ELV). Regarding the REACH Regulation, the information TE provides on SVHC in articles for this part number is based on the latest European Chemicals Agency (ECHA) 'Guidance on requirements for substances in articles' posted at this URL: <https://echa.europa.eu/guidance-documents/guidance-on-reach>

Compatible Parts



TE Part # 2234180-1
DIE SET DIA 6MM T 6MM2



TE Part # 7-2234180-7
CRIMP TOOLING KIT



TE Part # 9-2234180-1
APPLIC DIA 6MM T 6MM2



TE Part # 9-2368478-1
7POS,MIXED,SOCK HSG,INLET GB

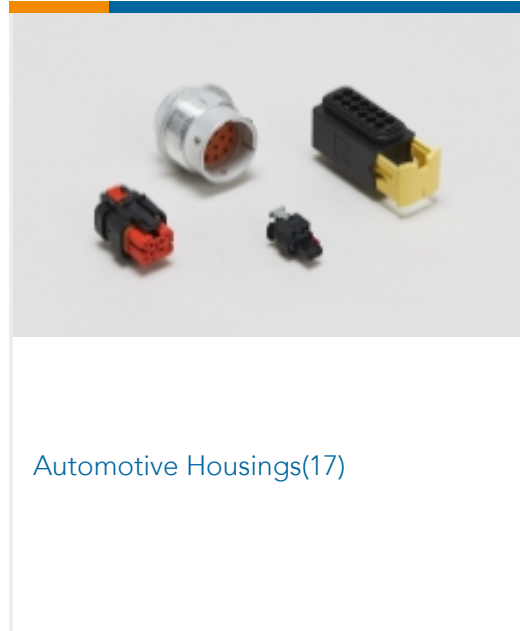
Also in the Series | Charging Inlets



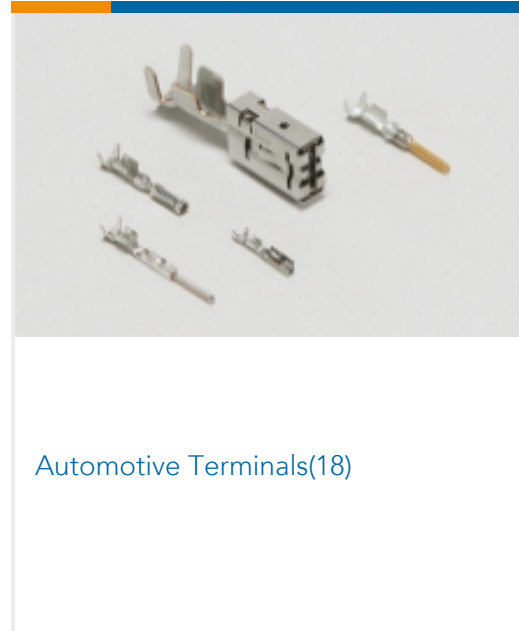
Automotive Connector Caps & Covers (89)



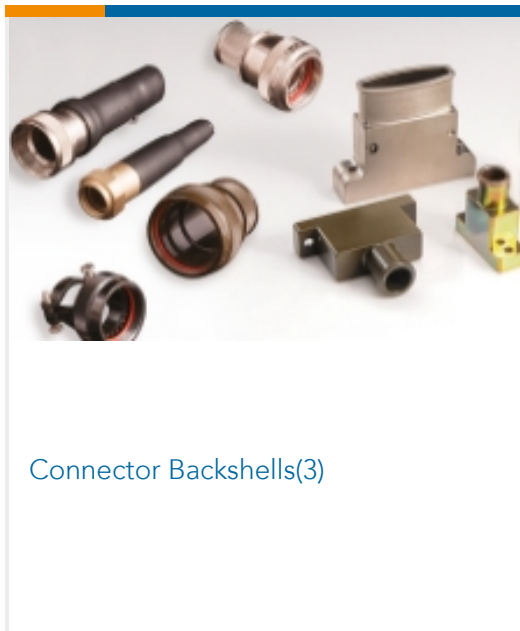
Automotive Connector Locks & Position Assurance(13)



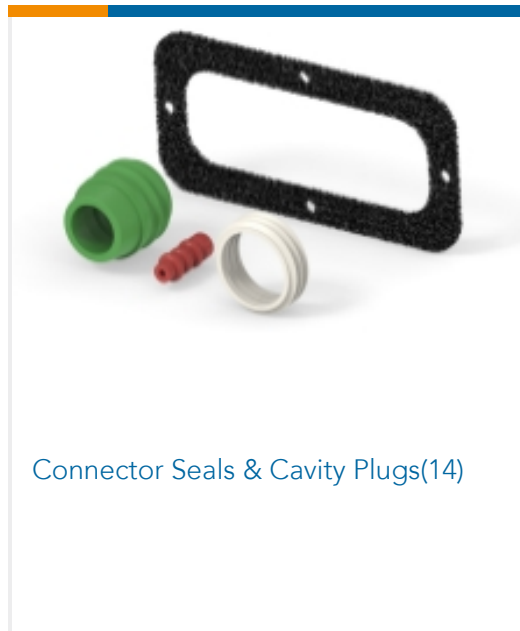
Automotive Housings(17)



Automotive Terminals(18)



Connector Backshells(3)



Connector Seals & Cavity Plugs(14)



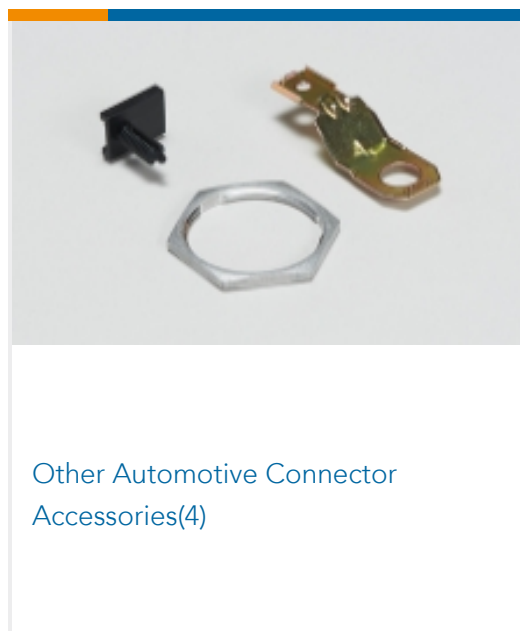
Crimp Wire Pins, Tabs & Ferrules(6)



Electric, Hybrid & Fuel Cell Cable Assemblies(107)



High Voltage Wire Processing Equipment(17)



Other Automotive Connector Accessories(4)

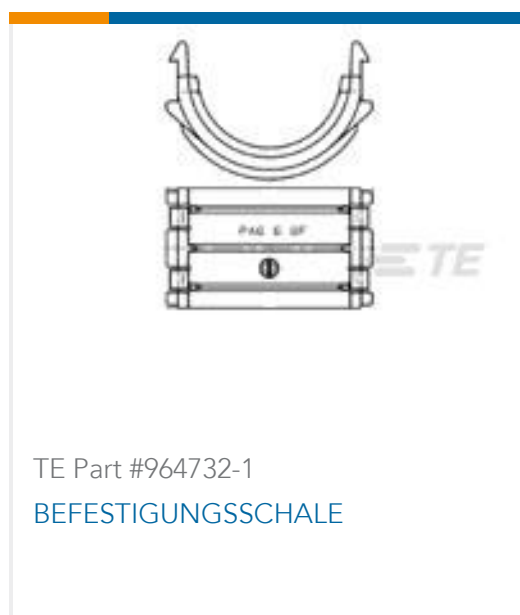
Customers Also Bought



TE Part #36922
TERMINAL,SOLIS R 2/0 5/16



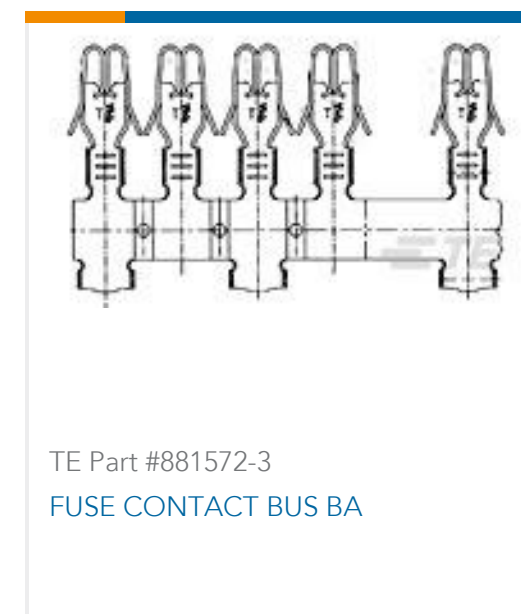
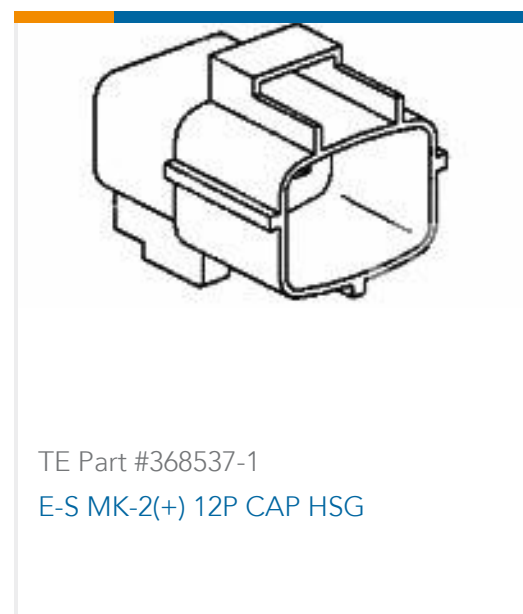
TE Part #9-520132-2
ULTRA-FAST 250 ASY FLAG REC 16-14 TPBR



TE Part #964732-1
BEFESTIGUNGSSCHALE



TE Part #936126-1
MQS, CONNECTOR HOUSING



Documents

Product Drawings

DIA 6MM,TERMINAL,AC,6SQMM

English

CAD Files

3D PDF

3D

Customer View Model

[ENG_CVM_CVM_2293271-3_A.3d_igs.zip](#)

English

Customer View Model

[ENG_CVM_CVM_2293271-3_A.2d_dxf.zip](#)

English

Customer View Model

[ENG_CVM_CVM_2293271-3_A.3d_stp.zip](#)

English

By downloading the CAD file I accept and agree to the [Terms and Conditions](#) of use.

Product Specifications

Application Specification

English