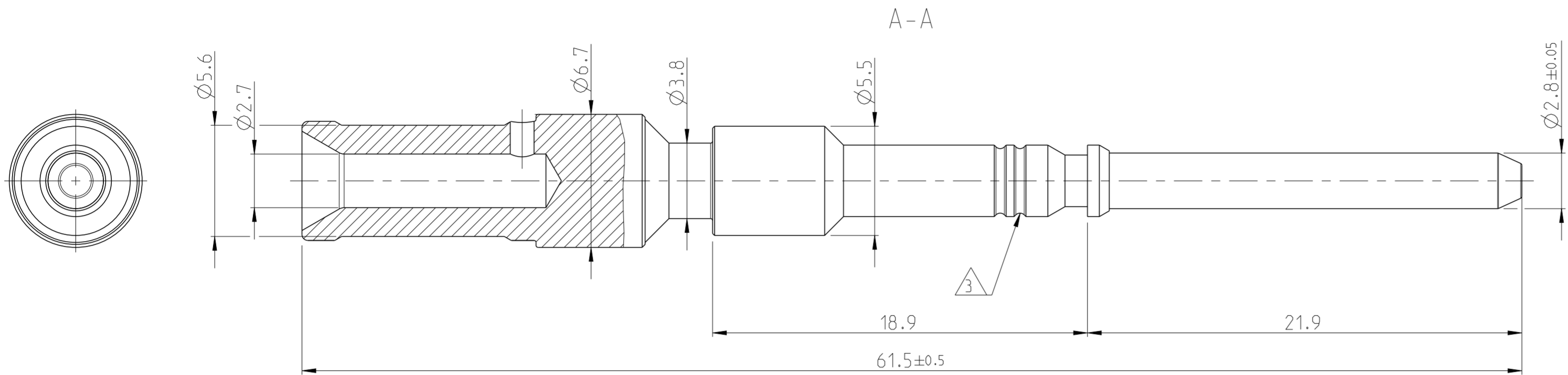
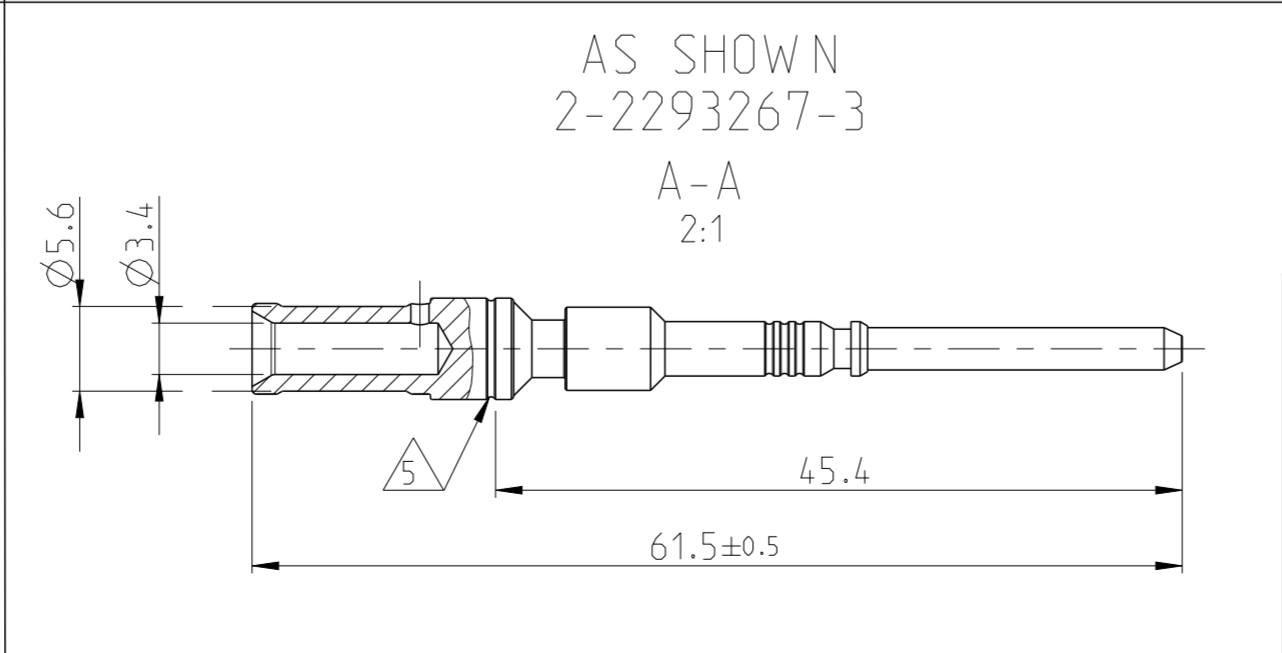
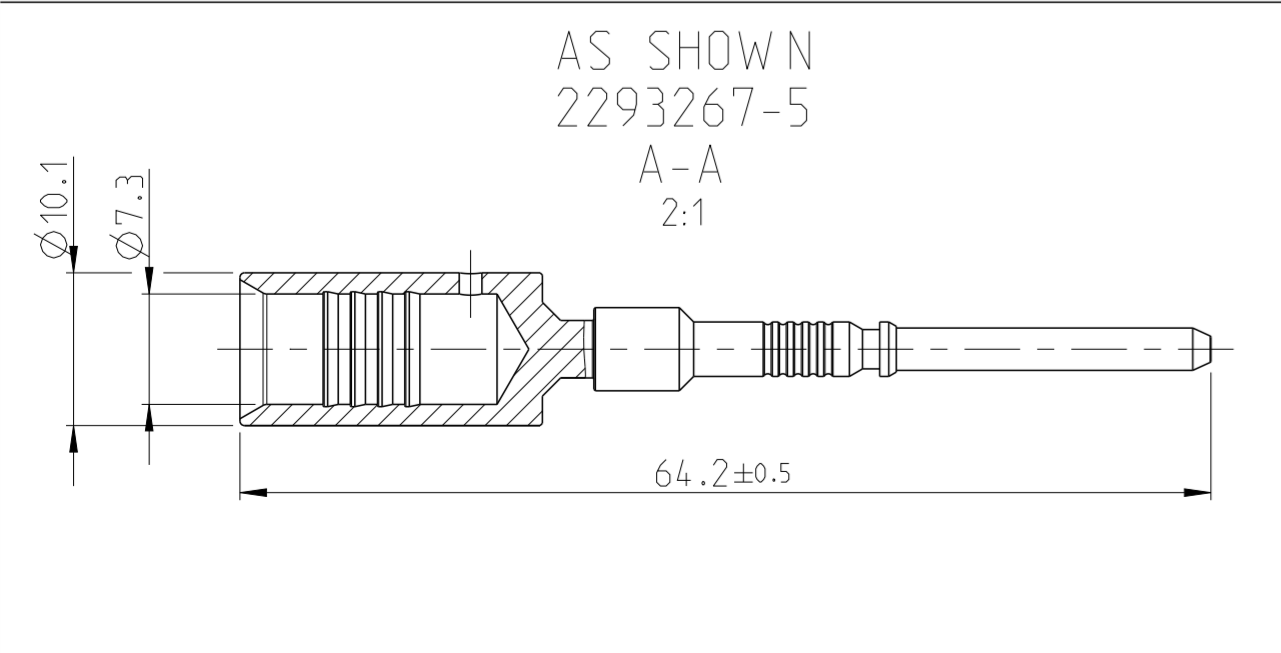
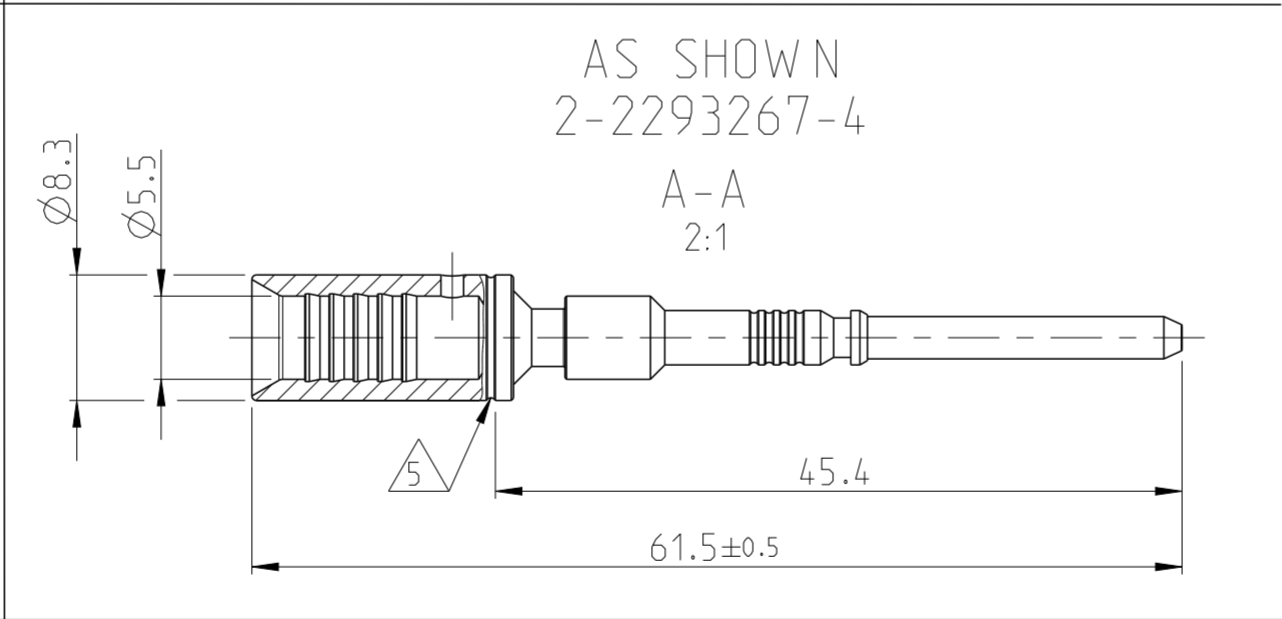
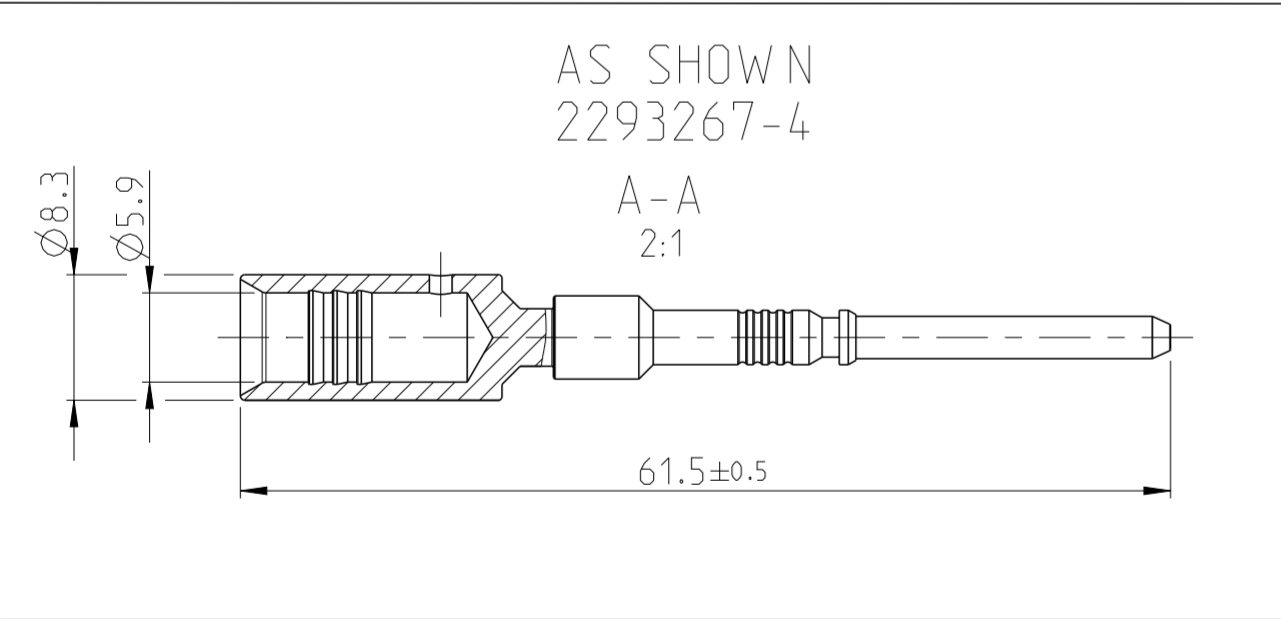
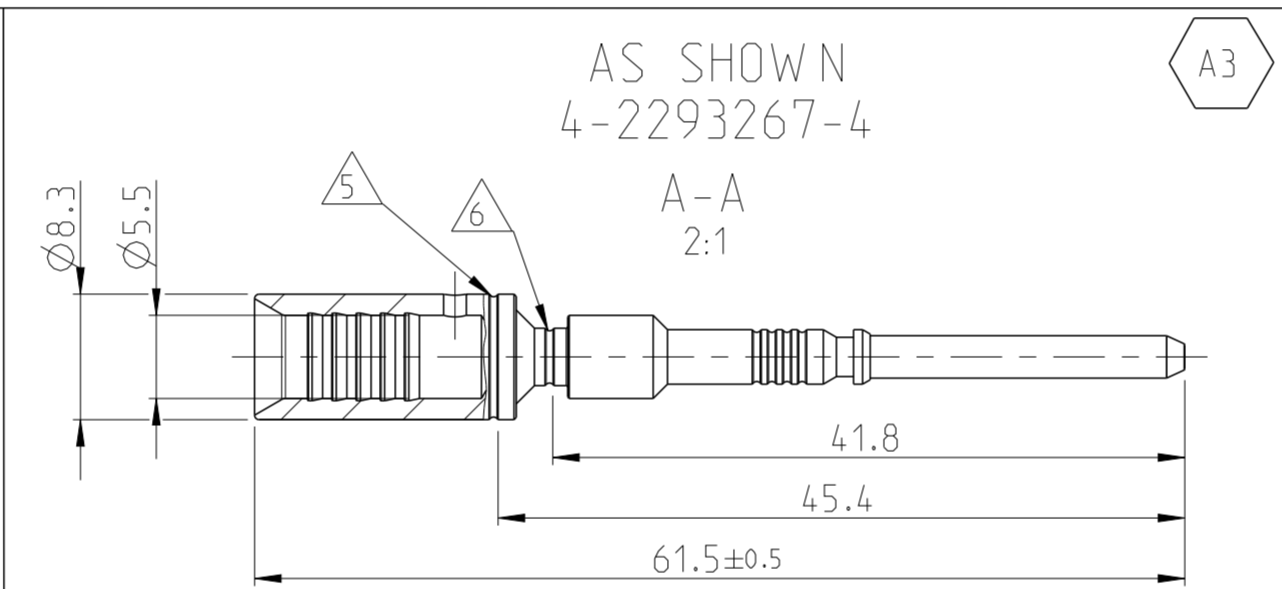
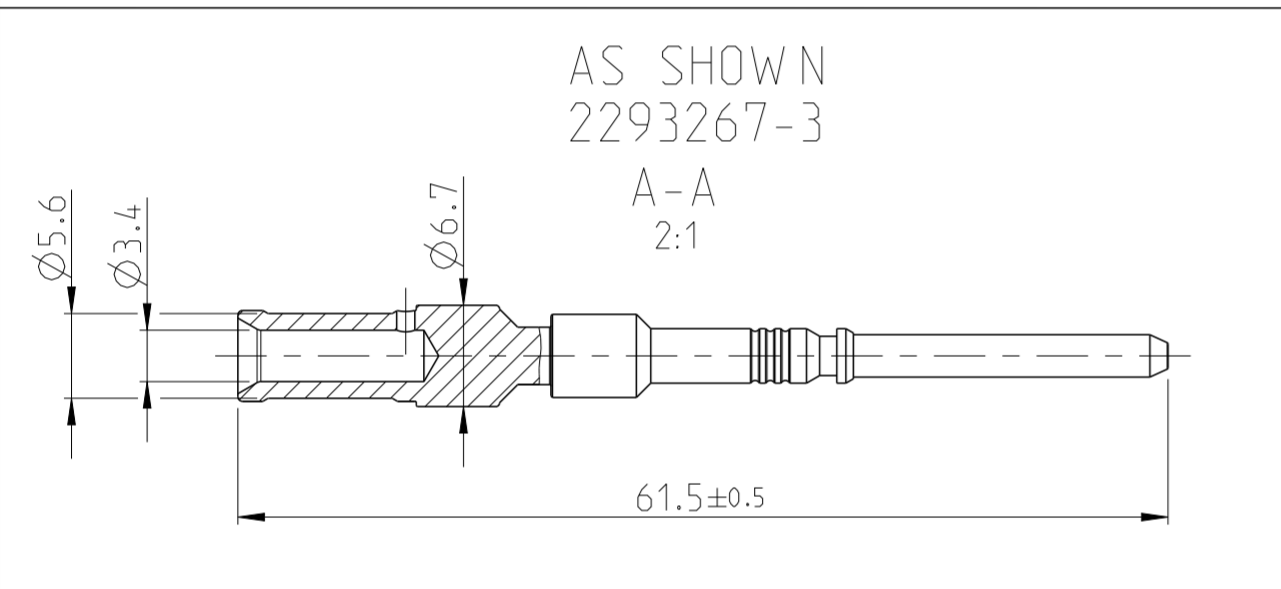
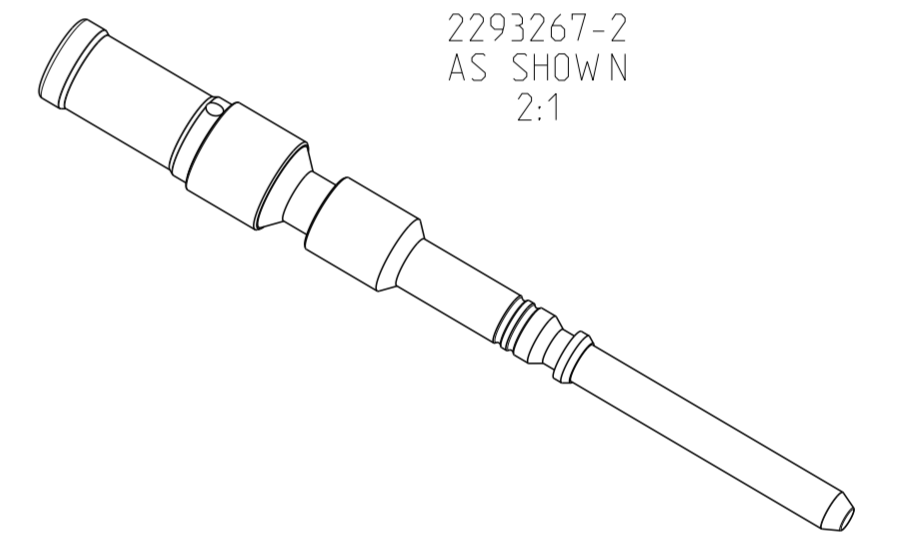


THIS DRAWING IS UNPUBLISHED
 RELEASED FOR PUBLICATION
 ALL RIGHTS RESERVED.

REVISIONS				
P	LTR	DESCRIPTION	DATE	APVD
A		PRODUCTION RELEASE AND TABLE UPDATED	09MAY2017	AHM FW I
A1		GEN. TOL. CHANGED TO -FH, DIA 6.7 ADDED	22AUG2018	AHM SSI
A2		NEW NOTE 5 AND PN 2-2293267-3/2-2293267-4	23MAR2020	FRAN SCH.
A3		NEW TCPN 4-2293267-4	20APR2023	JCP HMF



- NOTES
Bemerkungen
- IN CASE OF DISCREPANCIES BETWEEN GERMAN AND ENGLISH TEXT THE GERMAN TEXT IS BINDING
Im Falle von Unterschieden zwischen dem deutschen und dem englischen Text ist der deutsche Text verbindlich
 - HANDLING OF PARTS ONLY WITH GLOVES
Teile dürfen nur mit Handschuhen angefasst werden
 - CROSS SECTION MARKING:
NUMBER OF GROOVES ACC. NUMBER AFTER BASIS-PN
Kennzeichnung Leitungsquerschnitt:
Anzahl Einstiche gemäss Nachstrichzahl
 - BULK PACKAGING IN PLASTIC BAG AND CORRUGATED SHIPPING BOX
Schuettgut in Beutel in Faltschachtel und Versandkarton
 - PLATING MARKING: 6µm Ag
Kennzeichnung Beschichtung: 6µm Ag
 - ADDITIONAL MARKING
Zusätzliche Kennzeichnung



PART NUMBERS	[mm ²]	GROOVES	REV.	WEIGHT IN [g]	FINISH	MATERIAL
4-2293267-4	16	4	A	8.36	SILVER	Copper
2-2293267-4	16	4	A	7.93		
2-2293267-3	6	3	A	6.95		
2293267-5	25	5	A	10.8	Brass	
2293267-4	16	4	A	7.93		
2293267-3	6	3	A	6.95		
2293267-2	4	2	A	7.27		

THIS DRAWING IS A CONTROLLED DOCUMENT. DIMENSIONING AND TOLERANCING PER GPS (ISO STANDARDS).

DIMENSIONS: mm

TOLERANCES UNLESS OTHERWISE SPECIFIED:
 ISO 2768-FH
 0 PLC ±
 1 PLC ±
 2 PLC ±
 3 PLC ±
 4 PLC ±
 ANGLES #2
 FINISH -

MATERIAL: SEE TABLE

APVD: Aravind H.M. (21JUN2016), Vishwa A. (21JUN2016), F. Wittrock (21JUN2016)

APPLICATION SPEC: 114-94438

WEIGHT: -

CUSTOMER DRAWING

SCALE: 5:1

SHEET: 1 OF 1

REV: A3

NAME: PIN CONTACT, DIA2.8, PE
Rundkontakt, 2.8mm, PE

SIZE: A2

CAGE CODE: -

DRAWING NO: C-2293267

RESTRICTED TO: -

TE Connectivity