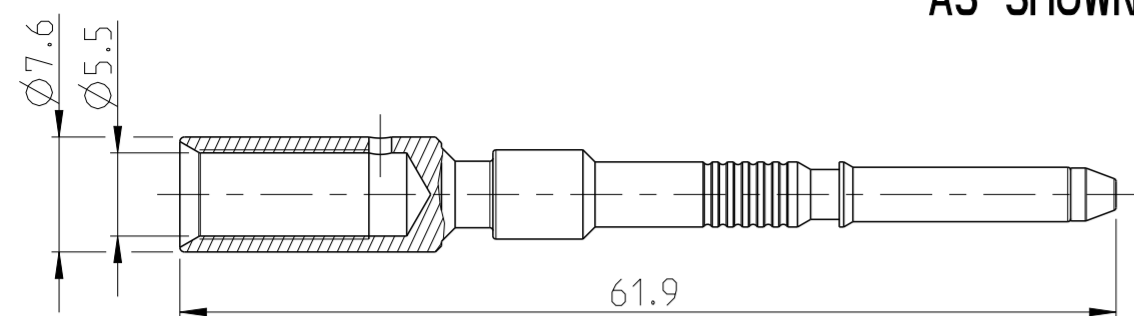
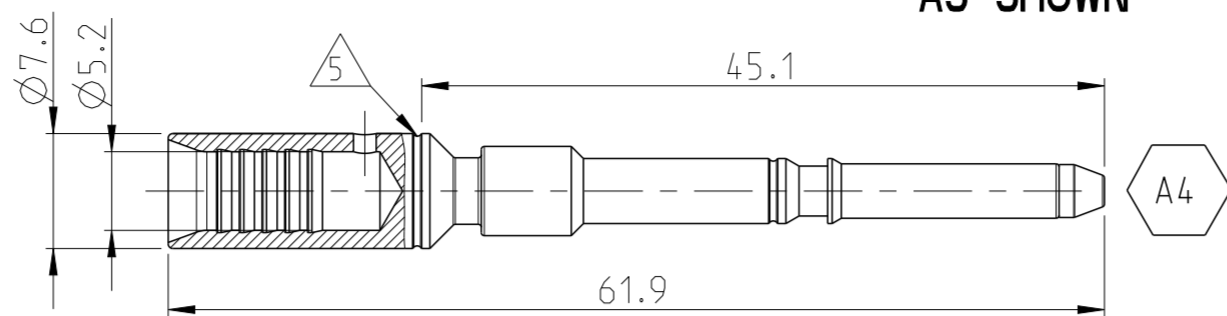


2293266-9 AS SHOWN

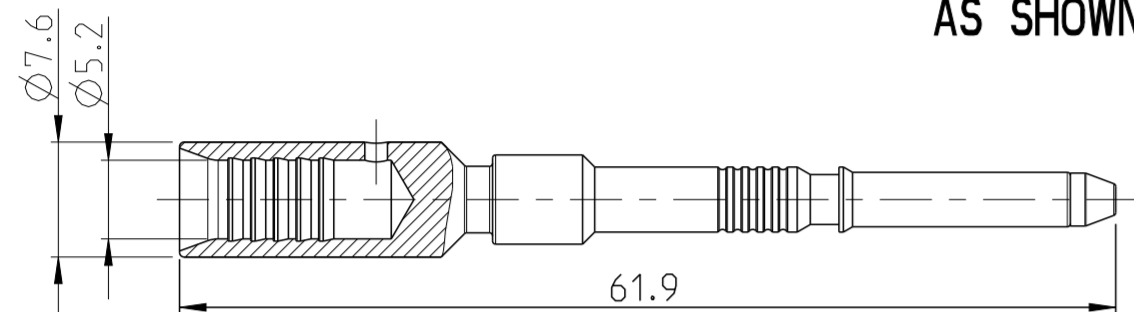


5-2293266-1 AS SHOWN

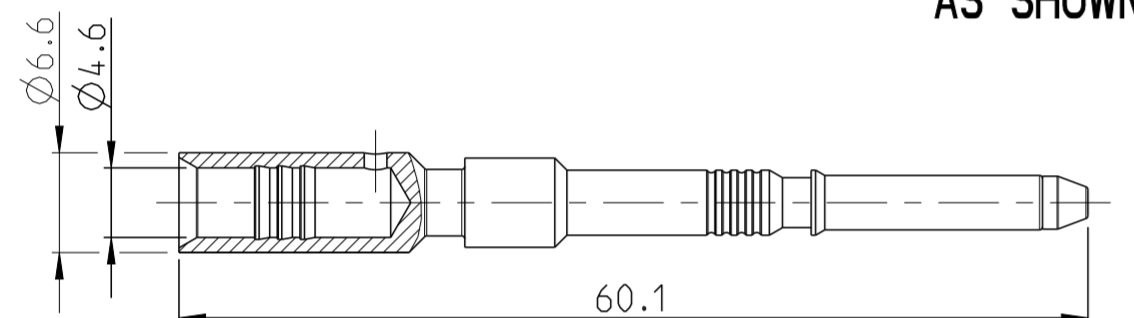


REVISIONS				
P	LTR	DESCRIPTION	DATE	APVD
A1		NEW NOTE 5 AND NEW PN 2-2293266-3	23MAR2020	FRAN SCH.
A2		VARIANTS ADDED. DRW FORMAT CHANGED	25MAY2020	MAH. SCH.
A3		NEW PN 5-2293266-1	17APR2023	JCP HMF
A4		PN 2293265-8 WITH 6 AG PLATING	02MAY2023	JCP HMF

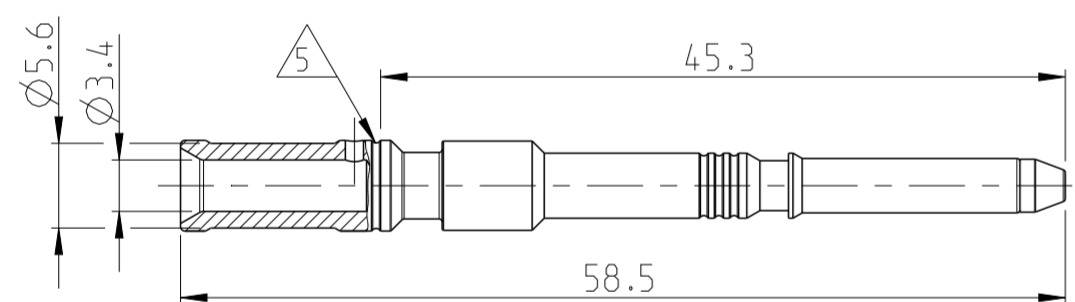
2293266-8 AS SHOWN



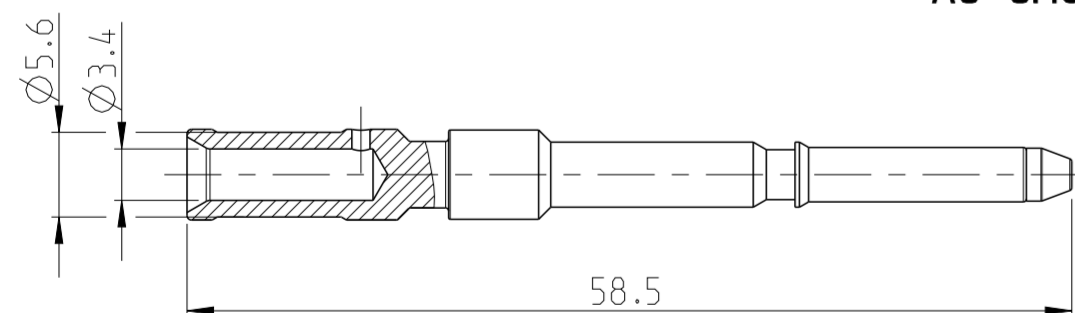
2293266-5 AS SHOWN



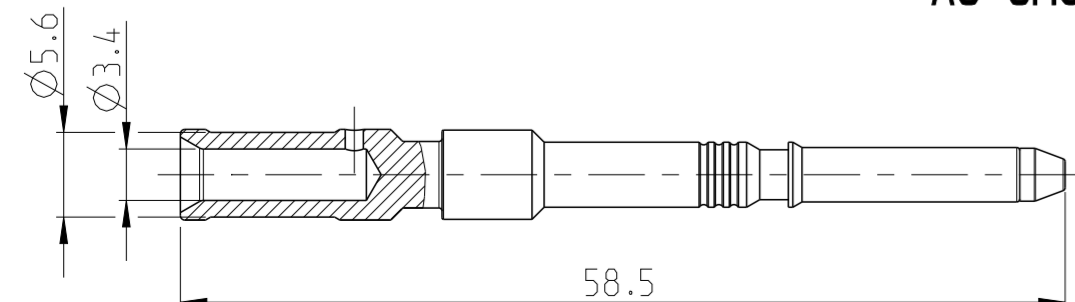
2-2293266-3 AS SHOWN



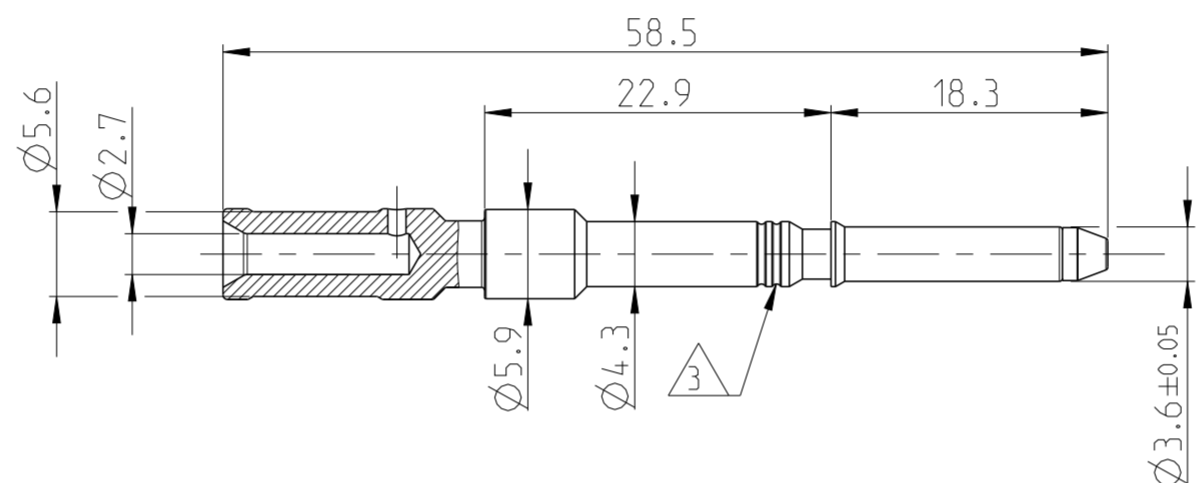
2293266-4 AS SHOWN



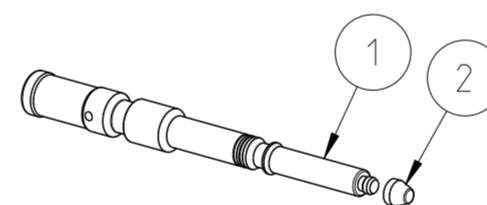
2293266-3 AS SHOWN



A-A



2293266-2 AS SHOWN



NOTES  
Bemerkungen

- IN CASE OF DISCREPANCIES BETWEEN GERMAN AND ENGLISH TEXT THE GERMAN TEXT IS BINDING  
Im Falle von Unterschieden zwischen dem deutschen und dem englischen Text ist der deutsche Text verbindlich
- HANDLING OF PARTS ONLY WITH GLOVES  
Teile dürfen nur mit Handschuhen angefasst werden
- CROSS SECTION MARKING:  
NUMBER OF GROOVES ACC. NUMBER AFTER BASIS-PN EXCEPT FOR 2293266-8 AND 2293266-9  
Kennzeichnung Leitungsquerschnitt:  
Anzahl Einstiche gemäss Nachstrichzahl ausser 2293266-8 und 2293266-9
- BULK PACKAGING IN PLASTIC BAG AND CORRUGATED SHIPPING BOX  
Schuettgut in Beutel in Fallschachtel und Versandkarton
- PLATING MARKING: 6µm Ag or AgC  
Kennzeichnung Beschichtung: 6µm Ag oder AgC

A4

QUANTITY PER ASSEMBLY								REVISION OF EACH ASSEMBLY COMPONENT					
5-2293266-1	2293266-9	2293266-8	2293266-5	2293266-4	2-2293266-3	2293266-3	2293266-2	DESCRIPTION	GROOVES	ITEM NO	WEIGHT (g)	MATERIAL	SURFACE/COLOR
1	1	1	1	1	1	1	1	FINGER PROTECTION CAP	-	2	0.02	PA66/6 FR	BLACK
1	-	-	-	-	-	-	-	PIN CONTACT DIA 3.6, 12mm <sup>2</sup>	1	1	9.71	COPPER	Silver Graphite
-	1	-	-	-	-	-	-	PIN CONTACT DIA 3.6, 16mm <sup>2</sup>	6		8.77	COPPER	SILVER
-	-	1	-	-	-	-	-	PIN CONTACT DIA 3.6, 12mm <sup>2</sup> , 6µm Ag	5		9.70	COPPER	
-	-	-	1	-	-	-	-	PIN CONTACT DIA 3.6, 10mm <sup>2</sup>	4		7.57	COPPER	
-	-	-	-	1	-	-	-	PIN CONTACT DIA 3.6, 6mm <sup>2</sup>	0		7.66	COPPER	
-	-	-	-	-	1	-	-	PIN CONTACT DIA 3.6, 6mm <sup>2</sup> , 6µm Ag	3		7.25	BRASS	
-	-	-	-	-	-	1	-	PIN CONTACT DIA 3.6, 6mm <sup>2</sup>	3		7.25	BRASS	
-	-	-	-	-	-	-	1	PIN CONTACT DIA 3.6, 4mm <sup>2</sup>	2		7.61	BRASS	
									<b>GROOVES</b>				
									<b>3</b>				

THIS DRAWING IS A CONTROLLED DOCUMENT. DIMENSIONING AND TOLERANCING PER GPS (ISO STANDARDS)

DIMENSIONS: mm

TOLERANCES UNLESS OTHERWISE SPECIFIED:  
DIN ISO 2768-mk

0 PLC	±
1 PLC	±
2 PLC	±
3 PLC	±
4 PLC	±
ANGLES	±
FINISH	±

MATERIAL: -

FINISH: -

APVD: Aravind H.M. 24 JUN 2016  
CHK: Vishwa. A. 24 JUN 2016  
APVD: F. Wittrock 24 JUN 2016

PRODUCT SPEC: -  
APPLICATION SPEC: 114-94438  
WEIGHT: -

CUSTOMER DRAWING

SCALE: 2:1

SHEET: 1 OF 1

REV: A4

NAME: PIN CONTACT, DIA3.6, L/N, ASSY  
Rundkontakt 3,6mm, L/N, ZSB

SIZE: A2

CAGE CODE: 100779

DRAWING NO: C-2293266

RESTRICTED TO: -

TE Connectivity