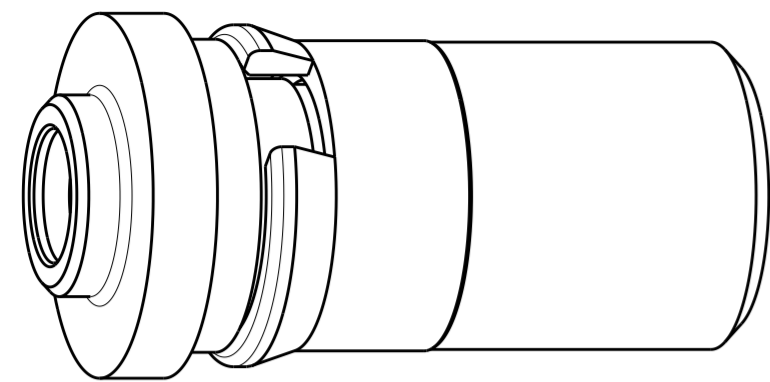
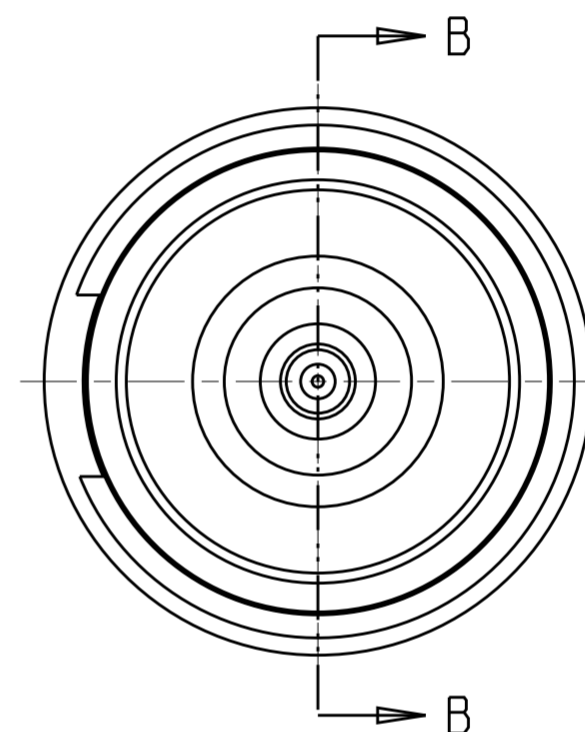
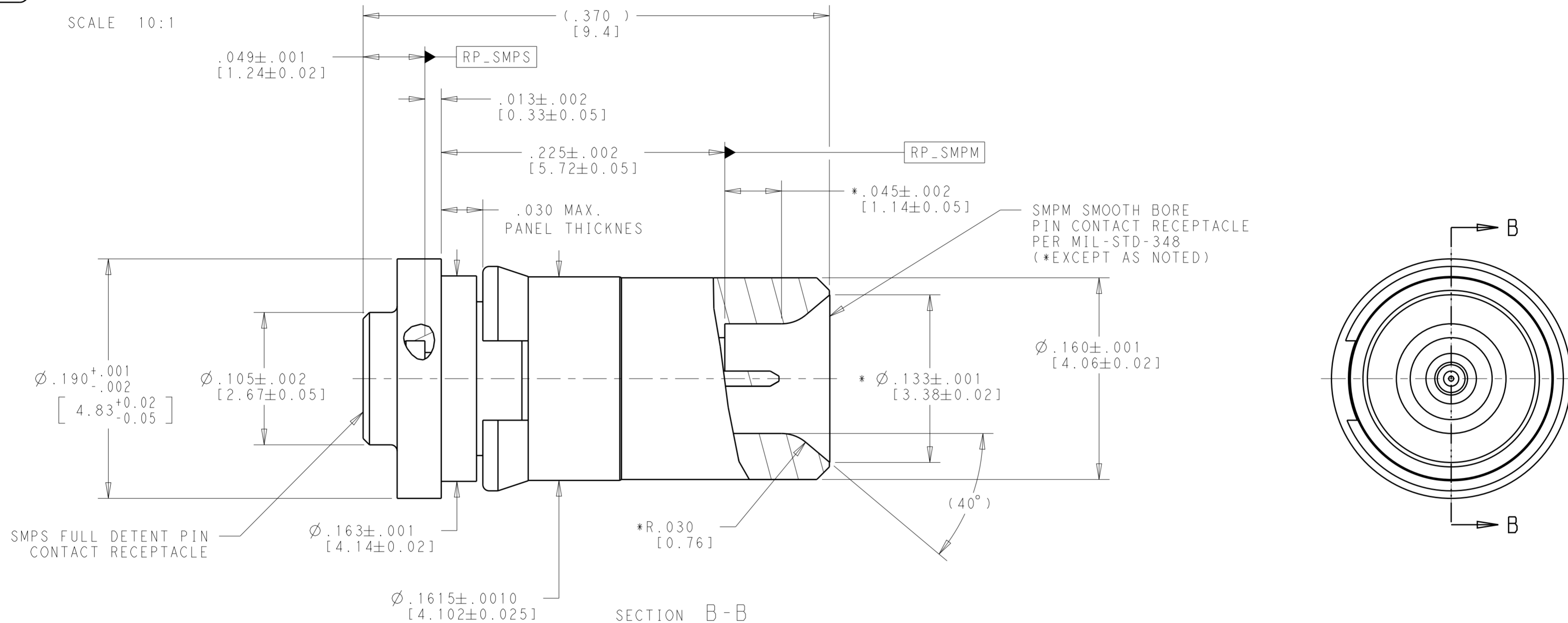


THIS DRAWING IS UNPUBLISHED. RELEASED FOR PUBLICATION 20
 © COPYRIGHT 20 BY - ALL RIGHTS RESERVED.

REVISIONS				
P	LTR	DESCRIPTION	DATE	APVD
B		REV PER ECO 18-001825	2-5-18	CT DW



SCALE 10:1



ELECTRICAL	MECHANICAL	ENVIRONMENTAL
Nominal Impedance: (Ohms): 50±2 Freq. Range (GHz): DC to 65.0 SWR (S11) 0.5 - 26.5 GHz: 1.10:1 26.5 - 40.0 GHz: 1.15:1 40.0 - 65.0 GHz: 1.25:1 Transmission Loss (S21) .10 dB x SQRT(f)dB (Where f = GHz) DWV (VRMS Min.) @ Sea Level: 250 Contact Resistance (Milliohms Max.) Center Contact: 6.0 Outer Contact: 2.0 Insulation Resistance (Megohms Min.): 5,000	Interface Dimensions SMPM Smooth Bore per MIL-STD-348 (Except as Noted) SMPS Full Detent Force to Engage (Typical) SMPS Full Detent: 3.5 Lbf SMPM Smoothbore: 2.5 Lbf Force to Disengage (Typical) SMPS Full Detent: 1.5 Lbf SMPM Smoothbore: 1.5 Lbf Center Contact Retention: 5.0 Axial (Lbf Min.)	Temperature Rating: -55°C to 165°C Vibration: EIA-364-28, Test Cond. III Mechanical Shock: EIA-364-27, Method G Durability - EIA-364-9 SMPS Full Detent: 100 Cycles Min. SMPM Smoothbore: 500 Cycles Min. Humidity/Temperature Cycling: EIA-364-31, Method III

COMPONENT	MATERIAL	FINISH
OUTER SHELL & CENTER CONTACT	BERYLLIUM COPPER PER ASTM B 196 (TH04)	.00005 MIN. THICK GOLD PLATE, PER ASTM B 488 OVER .00005 MIN. THICK ELECTROLESS NICKEL PLATE PER SAE AMS 2404
SMPM INSULATOR	PTFE FLUOROCARBON PER ASTM D 1710	-----
SMPS INSULATOR	ULTEM 1000 PER ASTM 5205	-----
RETAINING RING	BERYLLIUM COPPER PER ASTM B 196 (TH04)	.00010 MIN. THICK ELECTROLESS NICKEL PLATE, PER SAE AMS 2404

2287793-1
PART NUMBER

THIS DRAWING IS A CONTROLLED DOCUMENT.

DIMENSIONS: INCHES [mm]	TOLERANCES UNLESS OTHERWISE SPECIFIED:	DWN: S.T. Morley 19SEP2014	TE Connectivity
	0 PLC ±.1	CHK: S.T. Morley 19SEP2014	
	1 PLC ±.01	APVD: S.T. Morley 19SEP2014	
	2 PLC ±.001	NAME: SMPM (M) TO SMPS (M) PANEL MOUNT ADAPTER SMOOTH BORE (M)-FULL DETENT (M)	
MATERIAL: SEE TABLE	FINISH: SEE TABLE	APVD: S.T. Morley 19SEP2014	SIZE: A2 CAGE CODE: - DRAWING NO: C-2287793 RESTRICTED TO: - SCALE: 15:1 SHEET 1 OF 1 REV B

Customer Drawing