

THIS DRAWING IS UNPUBLISHED.

RELEASED FOR PUBLICATION

14APR2016

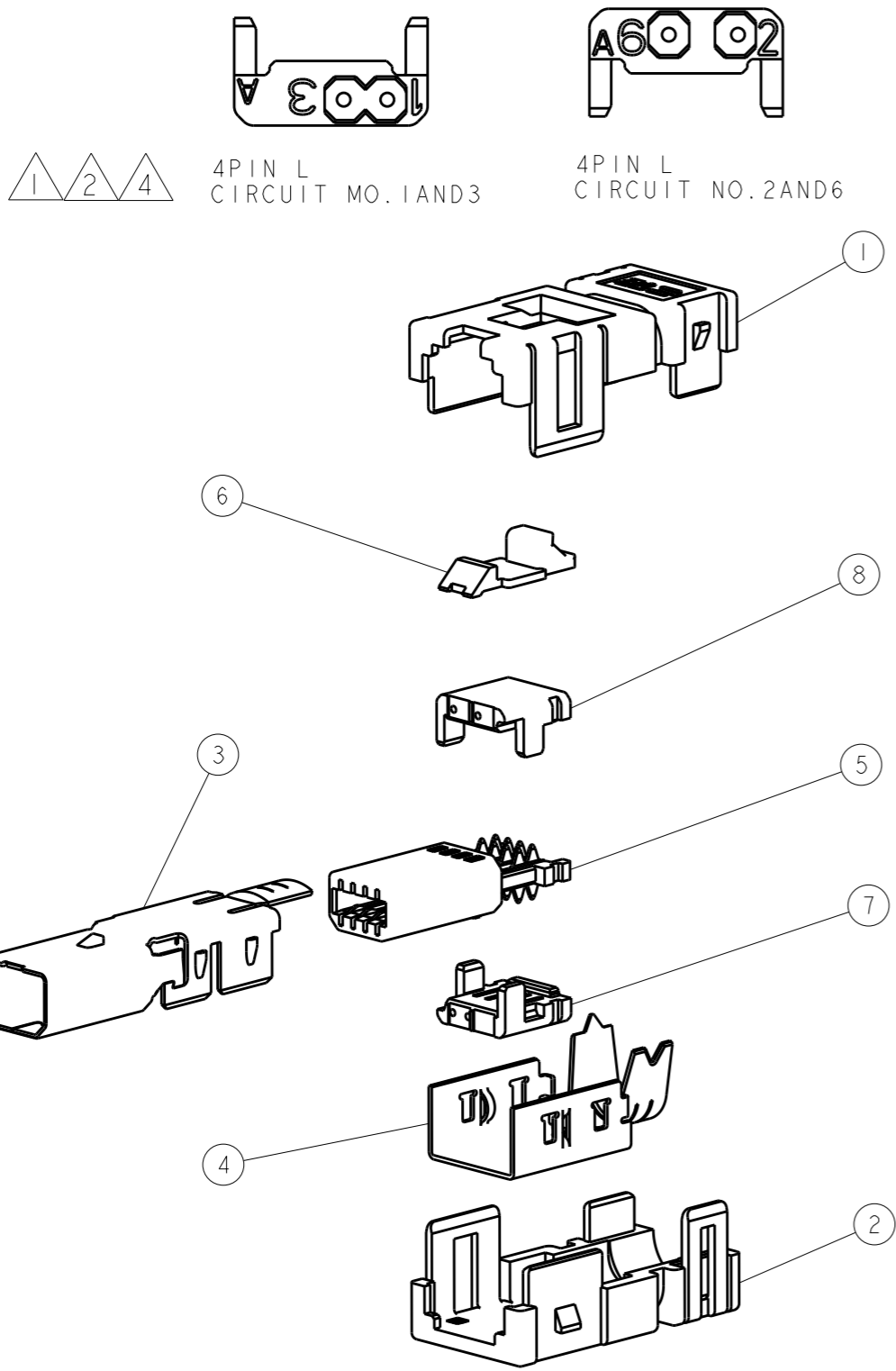
© COPYRIGHT 2016

BY Tyco Electronics Japan G.K.

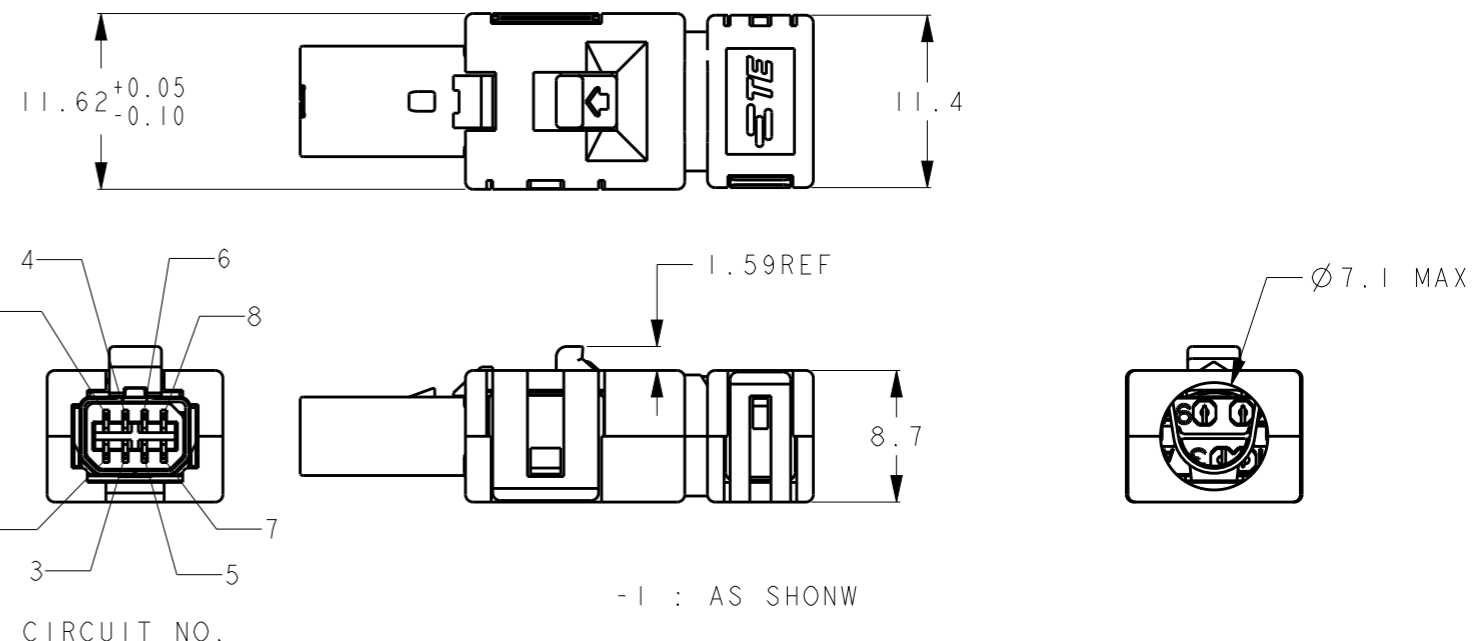
ALL RIGHTS RESERVED.

LOC	DIST	REVISIONS					
		P	LTR	DESCRIPTION	DATE	DWN	APVD
J	-		A	RELEASED	14APR2016	H.O	N.Y

- 1. CABLE INSULATION DIAMETER 1.5mm
- 2. CIRCUIT NUMBER IS ONLY 1,2,3 AND 6
- 3. PACKING TYPE:
-1 : EACH 1PCS TO TRAY KIT
-2 : 100PCS KIT TO 1 PACKING
- 4. CABLE HSG TYPE : 4PIN L TYPE
- 5. REFER TO INSTRUCTION SHEET 408-78108 FOR ASSEMBLY.



- 1 : AS SHONW



QTY	UNIT	MATERIAL/FINISH	PART NAME	ITEM
-	1	PAPER(INSTRUCTION SHHET)	408-78108	9
100	1	THERMO PLASTIC	CABLE HSG 4PIN L 26	8
100	1	THERMO PLASTIC	CABLE HSG 4PIN L 13	7
100	1	THERMO PLASTIC	LOCK HSG WITH WHITE ARROW	6
100	1	HSG MATERIAL:THERMO PLASTIC CONTACT MATERIAL:COPPER ALLOY FINISH:NI PLATING ALL OVER CONTACT AREA Au PLATING TERMINATION AREA Au PLATING	PLUG SUB ASSY	5
100	1	MATERIAL:COPPER ALLOY FINISH:NICKEL PLATING	BOTTOM SHELL	4
100	1	MATERIAL:COPPER ALLOY FINISH:NICKEL PLATING	PLUG TOP SHELL TYPE II	3
100	1	THERMO PLASTIC	PLUG COVER HSG BOTTOM	2
100	1	THERMO PLASTIC	PLUG COVER HSG TOP	1
-2	-1	MATERIAL/FINISH	PART NAME	ITEM

THIS DRAWING IS A CONTROLLED DOCUMENT.		DWN H.OSABE 14APR2016	TE Connectivity	
DIMENSIONS: mm		CHK E.TAKEMASA 14APR2016		
TOLERANCES UNLESS OTHERWISE SPECIFIED: ±0.5		APVD N.YAMASAKI 14APR2016	NAME INDUSTRIAL MINI I/O PIERCING PLUG CONNECTOR KIT	
0 PLC ± 1 PLC ±0.5 2 PLC ±0.13 3 PLC ±0.013 4 PLC ±0.0001 ANGLES ±		PRODUCT SPEC 108-78955	SIZE A300779	CAGE CODE C-2287107
MATERIAL -		APPLICATION SPEC 114-5506	DRAWING NO	RESTRICTED TO -
FINISH -		WEIGHT 4.38g	SCALE 2:1	SHEET 1 OF 1
		CUSTOMER DRAWING	REV A	