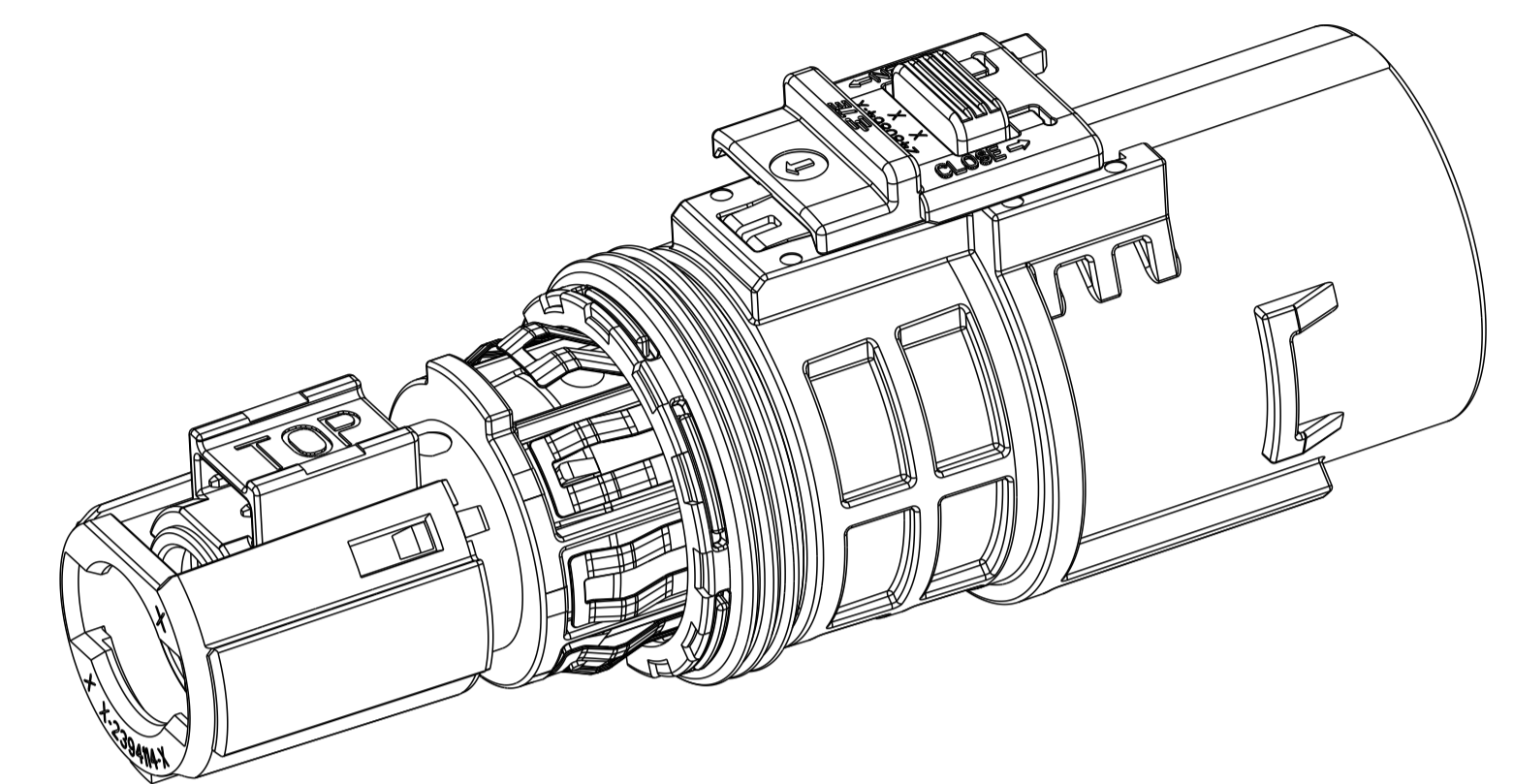
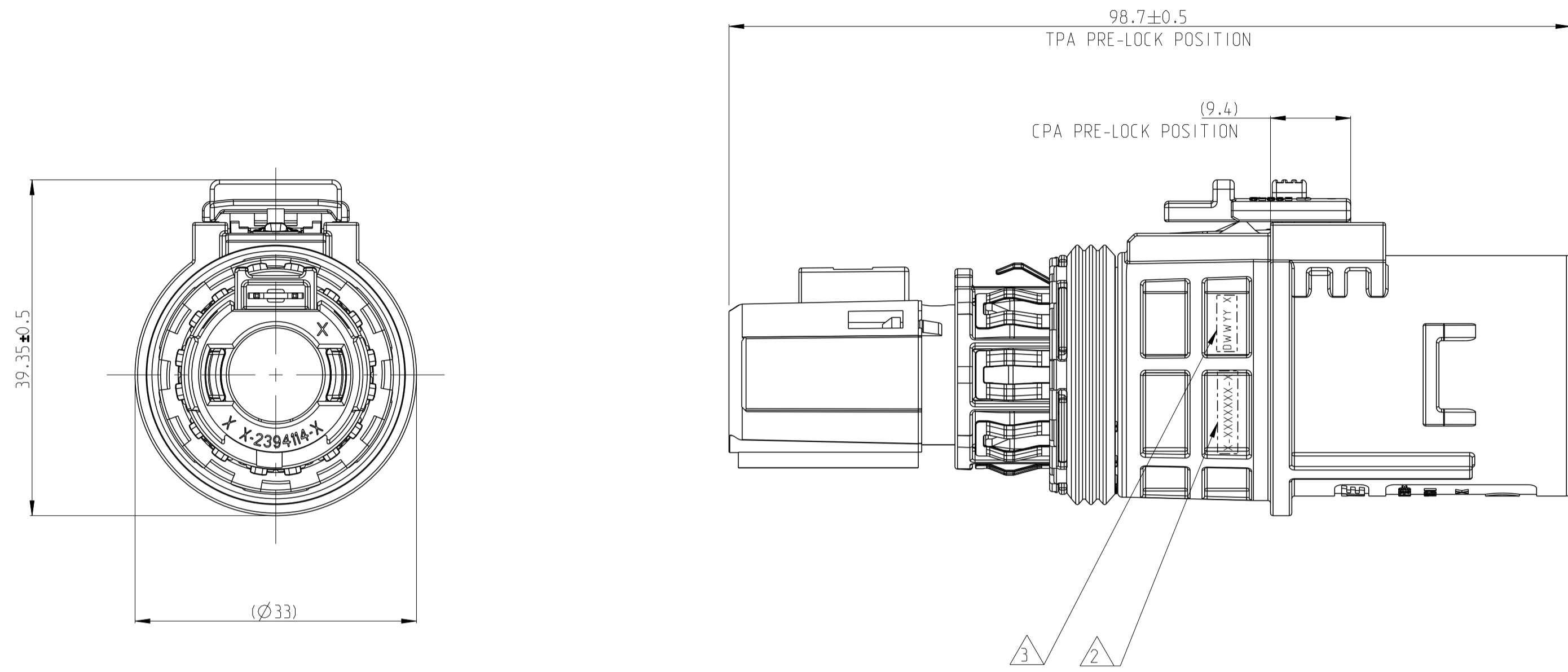
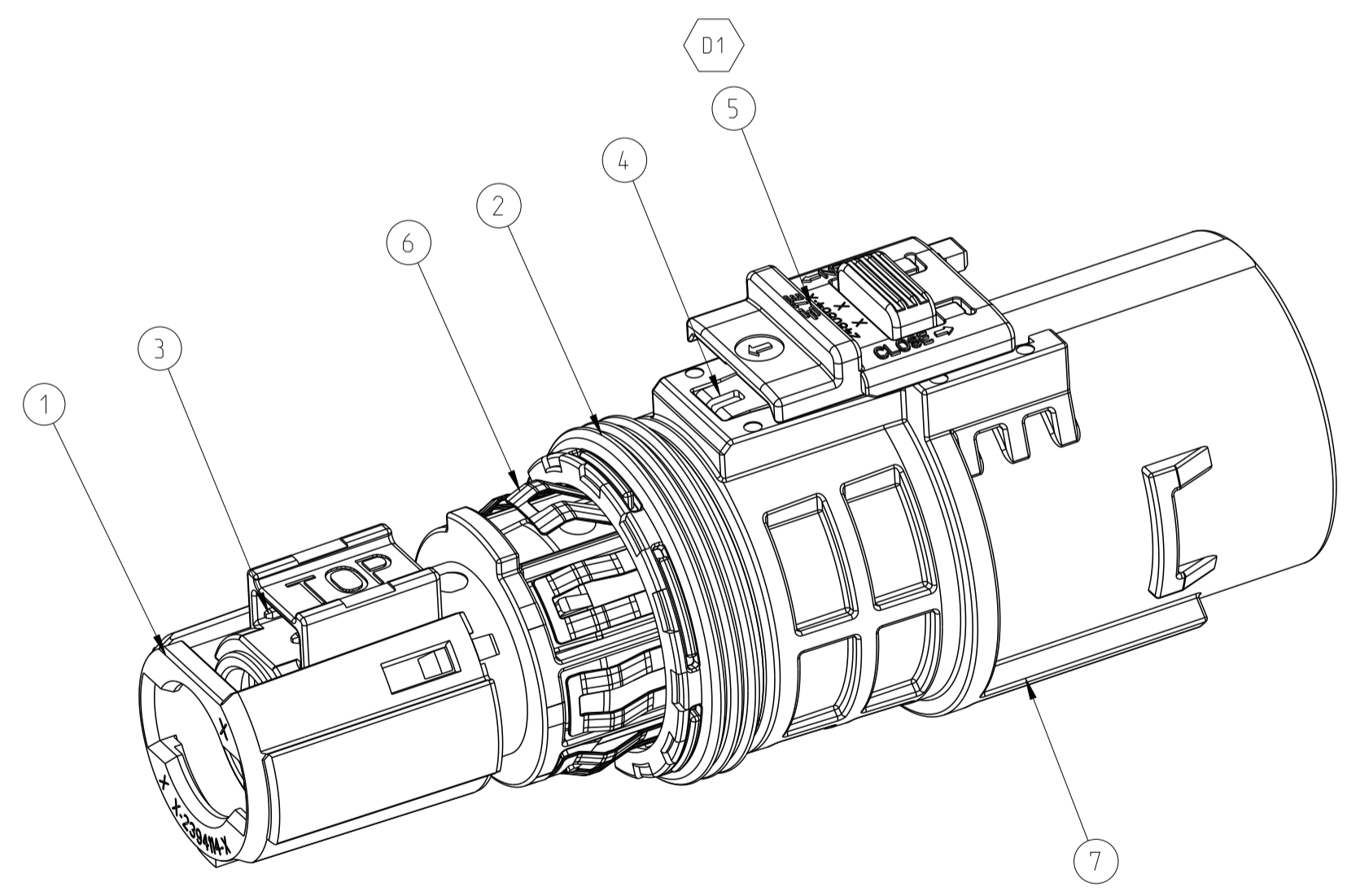


REVISIONS				
P	LTN	DESCRIPTION	DATE	OWN APVD
C	PCN-24-206191		14NOV2024	C.C Z.Z
C1	PCN-24-206191		21NOV2024	S.T Z.Z
D	PCN-25-250107 CPA MODIFICATION ON TOOL VERSION		28AUG2025	S.T Z.Z
D1	PCN-25-250107 CPA MODIFICATION ON FINGER VERSION		12NOV2025	S.T Z.Z



- 1 CODE VARIETY
- 2 ASSEMBLY PN
- 3 DATE CODE + PART REVISION LEVEL
- 4. APPLICATION TEMP. -40°C ~ 140°C

1-2394085-3	D	M	PLUG ASSEMBLY HVP-HD1000 FINGER ACCESS	FOLLOW 2394085-1	-	-	-	(33)	-	2-7
				PLUG TPA	M	PA66-GF	AQUA RED		1	1
1-2394085-2	D	L	PLUG ASSEMBLY HVP-HD1000 FINGER ACCESS	FOLLOW 2394085-1	-	-	-	(33)	-	2-7
				PLUG TPA	L	PA66-GF	AQUA BROWN		1	1
1-2394085-1	D	K	PLUG ASSEMBLY HVP-HD1000 FINGER ACCESS	FOLLOW 2394085-1	-	-	-	(33)	-	2-7
				PLUG TPA	K	PA66-GF	AQUA GREEN		1	1
2394085-9	D	J	PLUG ASSEMBLY HVP-HD1000 FINGER ACCESS	FOLLOW 2394085-1	-	-	-	(33)	-	2-7
				PLUG TPA	J	PA66-GF	ORANGE		1	1
2394085-8	D	H	PLUG ASSEMBLY HVP-HD1000 FINGER ACCESS	FOLLOW 2394085-1	-	-	-	(33)	-	2-7
				PLUG TPA	H	PA66-GF	YELLOW		1	1
2394085-7	D	G	PLUG ASSEMBLY HVP-HD1000 FINGER ACCESS	FOLLOW 2394085-1	-	-	-	(33)	-	2-7
				PLUG TPA	G	PA66-GF	RED		1	1
2394085-6	D	F	PLUG ASSEMBLY HVP-HD1000 FINGER ACCESS	FOLLOW 2394085-1	-	-	-	(33)	-	2-7
				PLUG TPA	F	PA66-GF	BROWN		1	1
2394085-5	D	E	PLUG ASSEMBLY HVP-HD1000 FINGER ACCESS	FOLLOW 2394085-1	-	-	-	(33)	-	2-7
				PLUG TPA	E	PA66-GF	GREEN		1	1
2394085-4	D	D	PLUG ASSEMBLY HVP-HD1000 FINGER ACCESS	FOLLOW 2394085-1	-	-	-	(33)	-	2-7
				PLUG TPA	D	PA66-GF	PURPLE		1	1
2394085-3	D	C	PLUG ASSEMBLY HVP-HD1000 FINGER ACCESS	FOLLOW 2394085-1	-	-	-	(33)	-	2-7
				PLUG TPA	C	PA66-GF	BLUE		1	1
2394085-2	D	B	PLUG ASSEMBLY HVP-HD1000 FINGER ACCESS	FOLLOW 2394085-1	-	-	-	(33)	-	2-7
				PLUG TPA	B	PA66-GF	NATURE		1	1
2394085-1	D	A	PLUG ASSEMBLY HVP-HD1000 FINGER ACCESS	PLUG HOUSING	-	PA10T-GF	ORNGNGE	(33)	1	7
				SHIELDING	-	COPPER ALLOY	Ag PLATED		1	6
				CPA - FINGER ACCESS	-	PA66-GF	RED		1	5
				CPA SPRING	-	STAINLESS STEEL	-		1	4
				HVIL	-	COPPER	Ag PLATED		1	3
				PERIPHERAL SEAL	-	SILICION	-		1	2
PLUG TPA	A	PA66-GF	BLACK	1	1					
TE ASSY NO.	TE REV.	CODE	DESCRIPTION	DESCRIPTION	CODE	MATERIAL	SURFACE COLOR	WEIGHT (g)	QTY	ITEM



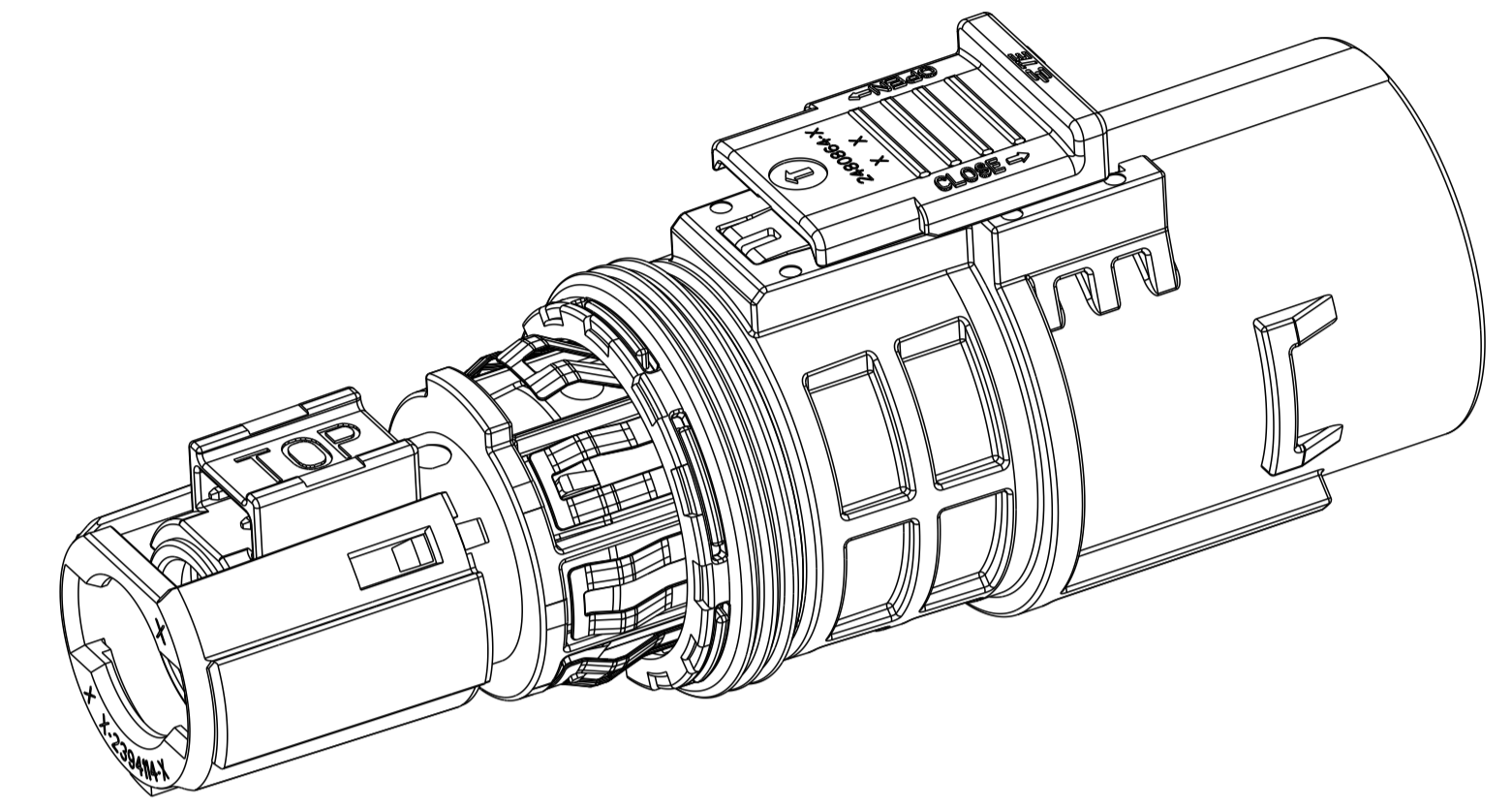
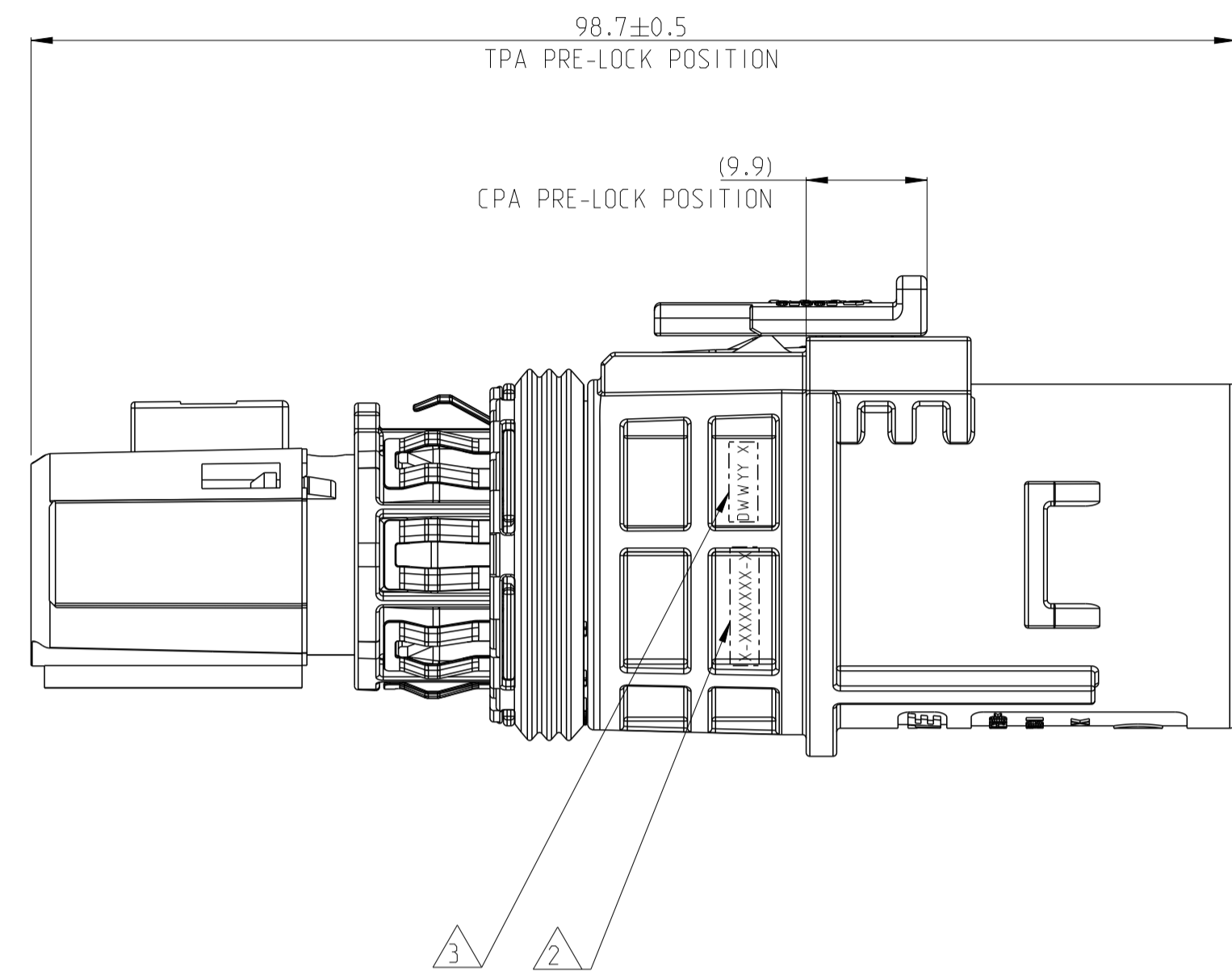
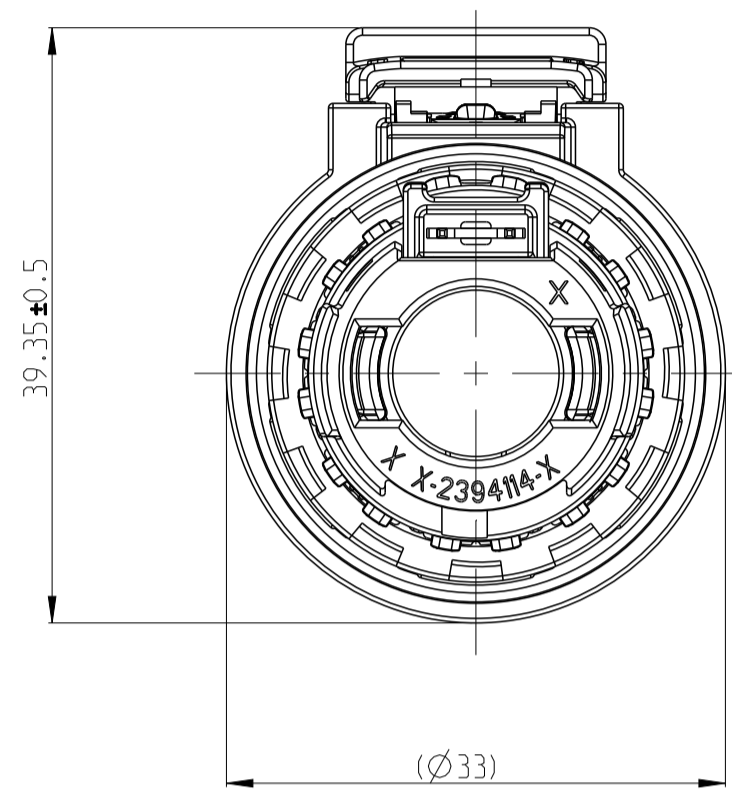
FOR FINGER ACCESS

THIS DRAWING IS A CONTROLLED DOCUMENT.

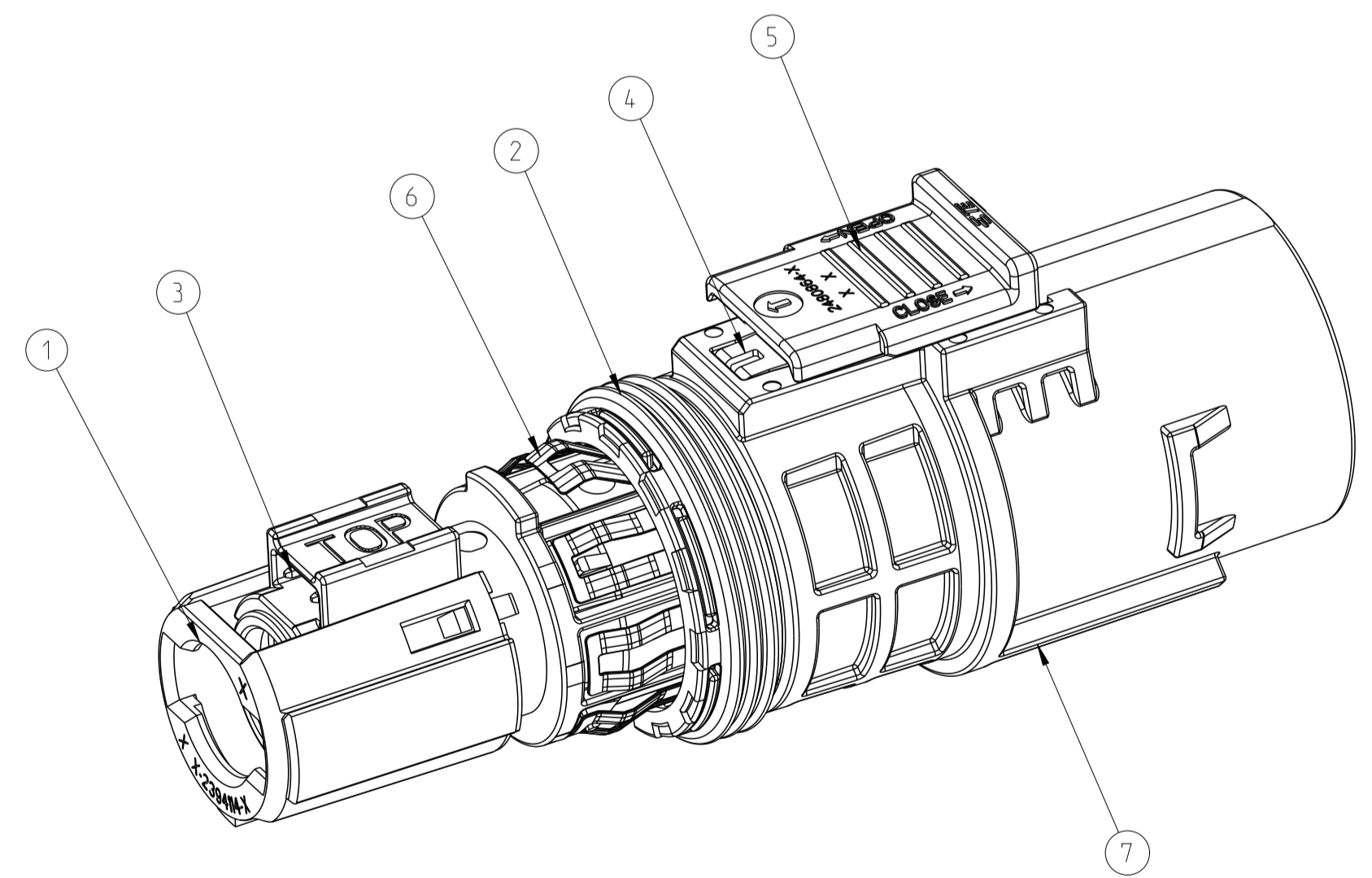
OWN: P.L.LING	DATE: 26AUG2021	
CHK: J.L.I	DATE: 26AUG2021	
DIMENSIONS: mm		NAME: PLUG ASSEMBLY HVP-HD1000
TOLERANCES UNLESS OTHERWISE SPECIFIED: ±0.5		SIZE: 116-160182
1 PLC ±0.1	2 PLC ±0.2	SCALE: 2:1
3 PLC ±0.254	4 PLC ±0.0001	SHEET: 1 OF 3
MATERIAL: UNSPECIFIED		REV: 01

CUSTOMER DRAWING

REVISIONS				
P	LTN	DESCRIPTION	DATE	APVD
		SEE SHEET 1		



TE ASSY NO.	TE REV.	CODE	DESCRIPTION	DESCRIPTION	CODE	MATERIAL	SURFACE COLOR	WEIGHT (g)	QTY	ITEM
3-2394085-3	D	M	PLUG ASSEMBLY HVP-HD1000 TOOL ACCESS	FOLLOW 2394085-1 PLUG TPA	M	PA66-GF	AQUA RED	(33)	1	2-7
3-2394085-2	D	L	PLUG ASSEMBLY HVP-HD1000 TOOL ACCESS	FOLLOW 2394085-1 PLUG TPA	L	PA66-GF	AQUA BROWN	(33)	1	2-7
3-2394085-1	D	K	PLUG ASSEMBLY HVP-HD1000 TOOL ACCESS	FOLLOW 2394085-1 PLUG TPA	K	PA66-GF	AQUA GREEN	(33)	1	2-7
2-2394085-9	D	J	PLUG ASSEMBLY HVP-HD1000 TOOL ACCESS	FOLLOW 2394085-1 PLUG TPA	J	PA66-GF	ORANGE	(33)	1	2-7
2-2394085-8	D	H	PLUG ASSEMBLY HVP-HD1000 TOOL ACCESS	FOLLOW 2394085-1 PLUG TPA	H	PA66-GF	YELLOW	(33)	1	2-7
2-2394085-7	D	G	PLUG ASSEMBLY HVP-HD1000 TOOL ACCESS	FOLLOW 2394085-1 PLUG TPA	G	PA66-GF	RED	(33)	1	2-7
2-2394085-6	D	F	PLUG ASSEMBLY HVP-HD1000 TOOL ACCESS	FOLLOW 2394085-1 PLUG TPA	F	PA66-GF	BROWN	(33)	1	2-7
2-2394085-5	D	E	PLUG ASSEMBLY HVP-HD1000 TOOL ACCESS	FOLLOW 2394085-1 PLUG TPA	E	PA66-GF	GREEN	(33)	1	2-7
2-2394085-4	D	D	PLUG ASSEMBLY HVP-HD1000 TOOL ACCESS	FOLLOW 2394085-1 PLUG TPA	D	PA66-GF	PURPLE	(33)	1	2-7
2-2394085-3	D	C	PLUG ASSEMBLY HVP-HD1000 TOOL ACCESS	FOLLOW 2394085-1 PLUG TPA	C	PA66-GF	BLUE	(33)	1	2-7
2-2394085-2	D	B	PLUG ASSEMBLY HVP-HD1000 TOOL ACCESS	FOLLOW 2394085-1 PLUG TPA	B	PA66-GF	NATURE	(33)	1	2-7
2-2394085-1	D	A	PLUG ASSEMBLY HVP-HD1000 TOOL ACCESS	PLUG HOUSING	-	PA10T-GF	ORNGE	(33)	1	7
				STAINLESS STEEL	-	COPPER ALLOY	Ag PLATED		1	6
				CPA - TOOL ACCESS	-	PA66-GF	RED		1	5
				CPA SPRING	-	STAINLESS STEEL	-		1	4
				HVIL	-	COPPER	Ag PLATED		1	3
				PERIPHERAL SEAL	-	SILICON	-		1	2
				PLUG TPA	A	PA66-GF	BLACK		1	1



FOR TOOL ACCESS

THIS DRAWING IS A CONTROLLED DOCUMENT. DWG P.L.L.I.N.G 26AUG2021
 CHK J.J.I 26AUG2021
 APVD L.Y.I.N 26AUG2021

DIMENSIONS: mm
 TOLERANCES UNLESS OTHERWISE SPECIFIED: ±0.5
 1 PLC ±0.1
 2 PLC ±0.05
 3 PLC ±0.051
 4 PLC ±0.0001
 ANGLES UNLESS INDICATED

MATERIAL

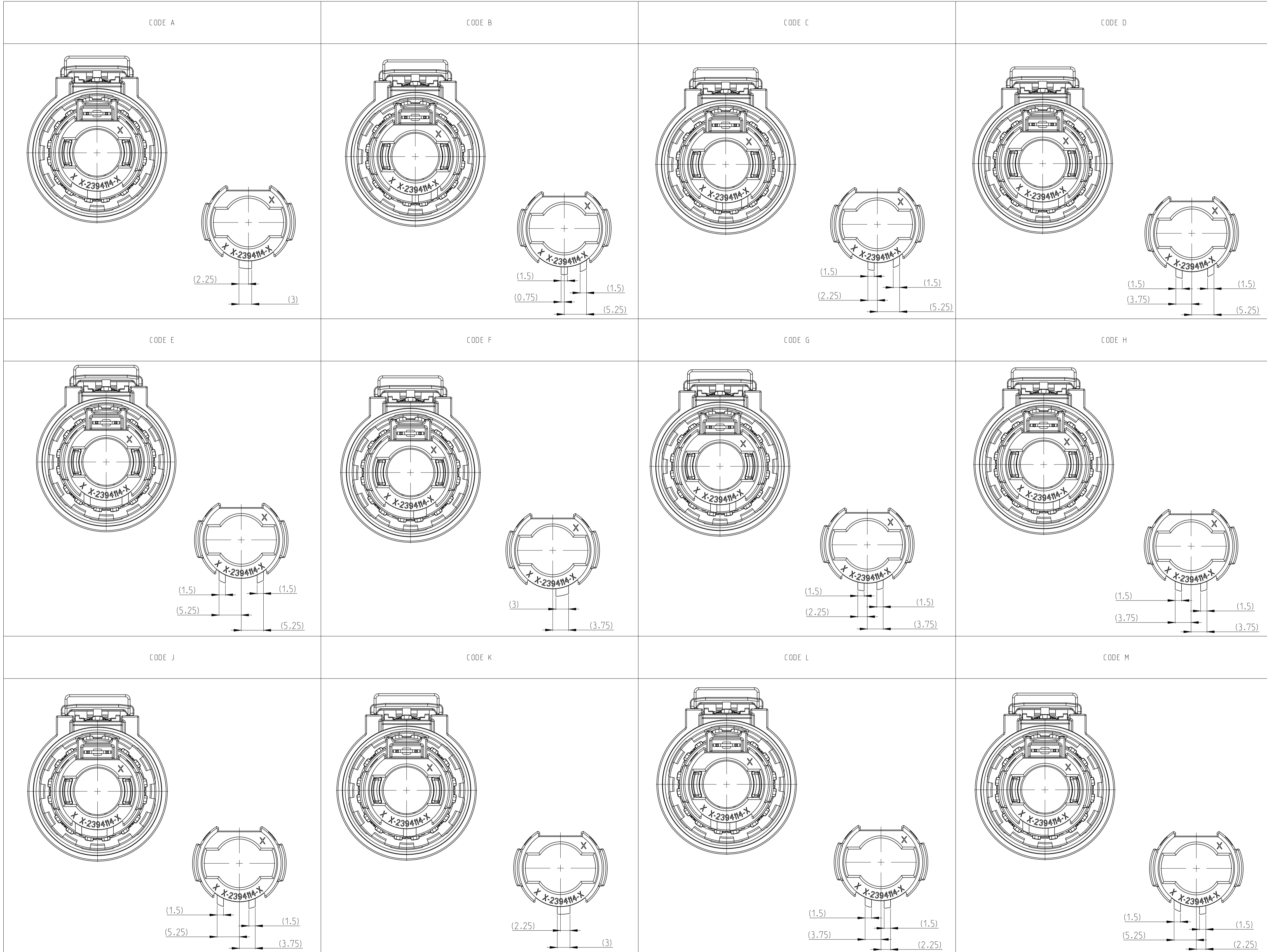
NAME PLUG ASSEMBLY HVP-HD 1000
 PRODUCT SPEC 108-160341
 APPLICATION SPEC 116-160182
 WEIGHT SEE TABLE
 CUSTOMER DRAWING

SCALE 2:1 SHEET 2 OF 3 REV 01

TE Connectivity

REVISIONS				
P	LTN	DESCRIPTION	DATE	APVD
		SEE SHEET 1		

1



THIS DRAWING IS A CONTROLLED DOCUMENT.		OWN E.L.LING	26AUG2021	
		CHK J.L.I	26AUG2021	
DIMENSIONS: mm		TOLERANCES UNLESS OTHERWISE SPECIFIED: ±0.5 7 PLC ±0.1 9 PLC ±0.25 5 PLC ±0.254 4 PLC ±0.0001		NAME PLUG ASSEMBLY HVP-HD 1000
MATERIAL		LYXIN PRODUCT SPEC 108-160341 APPLICATION SPEC 116-160182		SIZE CAGE CODE DRAWING NO
		WEIGHT SEE TABLE		RESTRICTED TO A 00779 ©=2394085
		CUSTOMER DRAWING		SCALE 2:1 SHEET 3 OF 3 REV 01