

2-2287018-1 ✓ ACTIVE

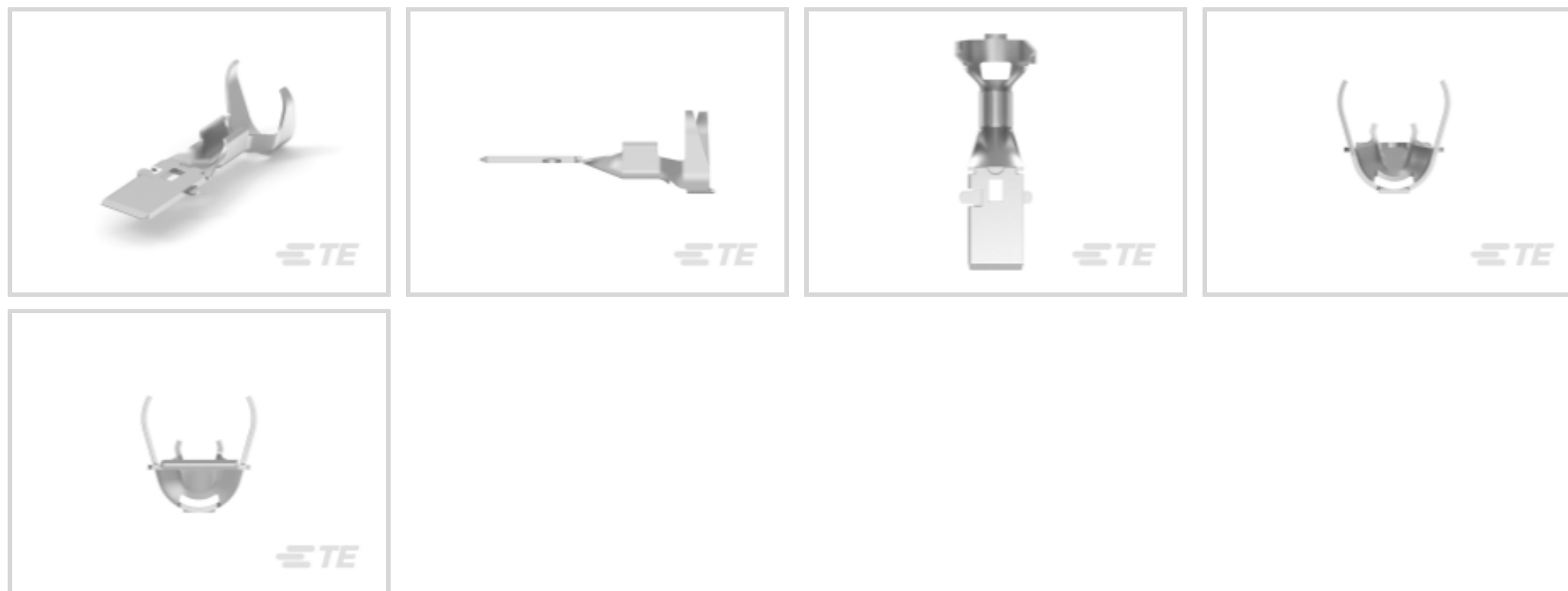


TE Internal #: 2-2287018-1

Tab Terminal, 8 – 7 AWG, 8 – 10 mm<sup>2</sup> Wire, 9.5 mm [.374 in] Tab Width, Tin (Sn), Sealable, 1.2 mm [.047 in] Tab Thickness, Single Wire Seal (SWS)

[View on TE.com >](#)

Automotive Parts > Automotive Terminals



Terminal Type: **Tab**

Wire Size: **8 – 7 AWG**

Mating Tab Width: **9.5 mm [.374 in]**

Interface Plating: **Tin (Sn)**

## Features

### Product Type Features

Receptacle Style	180°
Primary Locking Feature	Clean Body
Sealable	Yes

### Body Features

Terminal Seal Type	Single Wire Seal (SWS)
--------------------	------------------------

### Contact Features

Crimp Type	F-Crimp
Contact Size	9.5mm
Contact Fabrication	Stamped & Formed
Wire Contact Termination Area Plating Material	Tin
Terminal Type	Tab
Mating Tab Width	9.5 mm[.374 in]
Interface Plating	Tin (Sn)
Mating Tab Thickness	1.2 mm[.047 in]

### Termination Features



Termination Method to Wire & Cable	Crimp
------------------------------------	-------

Product Terminates To	Wire
-----------------------	------

### Dimensions

Compatible Insulation Diameter Range	10 mm[.393 in]
--------------------------------------	----------------

Wire Size	8 – 7 AWG
-----------	-----------

Wire Size Search	8 mm <sup>2</sup> , 10 mm <sup>2</sup>
------------------	--

Tab Length	42.5 mm[1.67 in]
------------	------------------

### Usage Conditions

Insulation Option	Uninsulated
-------------------	-------------

Operating Temperature (Max)	130 °C[266 °F]
-----------------------------	----------------

Operating Temperature Range	-40 – 130 °C[-40 – 266 °F]
-----------------------------	----------------------------

### Operation/Application

Compatible With Wire Base Material	Copper
------------------------------------	--------

### Packaging Features

Packaging Method	Reel
------------------	------

Packaging Quantity	400
--------------------	-----

### Other

Terminal Transmits	41 – 100 A (High Power)
--------------------	-------------------------

## Product Compliance

[For compliance documentation, visit the product page on TE.com>](#)

EU RoHS Directive 2011/65/EU	Compliant
------------------------------	-----------

EU ELV Directive 2000/53/EC	Compliant
-----------------------------	-----------

China RoHS 2 Directive MIIT Order No 32, 2016	No Restricted Materials Above Threshold
---	---

EU REACH Regulation (EC) No. 1907/2006	Current ECHA Candidate List: JAN 2025 (247) Candidate List Declared Against: JAN 2025 (247) Does not contain REACH SVHC
--	---

Halogen Content	Low Halogen - Br, Cl, F, I < 900 ppm per homogenous material. Also BFR/CFR/PVC Free
-----------------	---

Solder Process Capability	Not reviewed for solder process capability
---------------------------	--

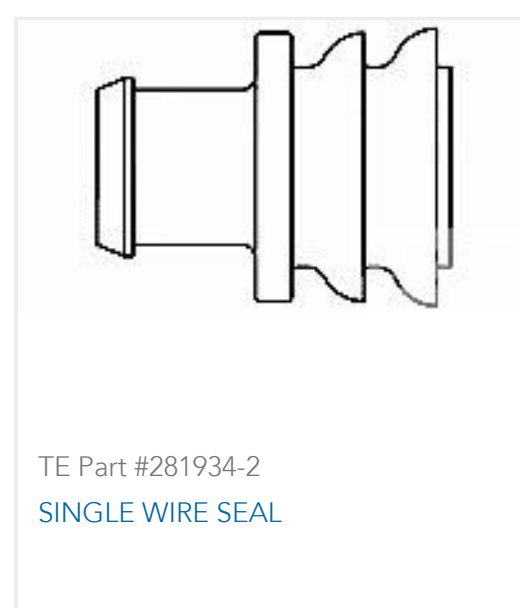
Product Compliance Disclaimer

This information is provided based on reasonable inquiry of our suppliers and represents our current actual knowledge based on the information they provided. This information is subject to change. The part numbers that TE has identified as EU RoHS compliant have a maximum concentration of 0.1% by weight in homogenous materials for lead, hexavalent chromium, mercury, PBB, PBDE, DBP, BBP, DEHP, DIBP, and 0.01% for cadmium, or qualify for an exemption to these limits as defined in the Annexes of Directive 2011/65/EU (RoHS2). Finished electrical and electronic equipment products will be CE marked as required by Directive 2011/65/EU. Components may not be CE marked. Additionally, the part numbers that TE has identified as EU ELV compliant have a maximum concentration of 0.1% by weight in homogenous materials for lead, hexavalent chromium, and mercury, and 0.01% for cadmium, or qualify for an exemption to these limits as defined in the Annexes of Directive 2000/53/EC (ELV). Regarding the REACH Regulation, the information TE provides on SVHC in articles for this part number is based on the latest European Chemicals Agency (ECHA) 'Guidance on requirements for substances in articles' posted at this URL: <https://echa.europa.eu/guidance-documents/guidance-on-reach>

## Compatible Parts



## Customers Also Bought



## Documents

**Product Drawings**  
TAB 9.5X1.2;10SQMM,TIN

English

**CAD Files**  
3D PDF



3D

Customer View Model

[ENG\\_CVM\\_CVM\\_2-2287018-1\\_A.2d\\_dxf.zip](#)

English

Customer View Model

[ENG\\_CVM\\_CVM\\_2-2287018-1\\_A.3d\\_igs.zip](#)

English

Customer View Model

[ENG\\_CVM\\_CVM\\_2-2287018-1\\_A.3d\\_stp.zip](#)

English

By downloading the CAD file I accept and agree to the [Terms and Conditions](#) of use.

**Product Specifications**

[Application Specification](#)

English