

TE Internal #: 2-2205130-5
 INDUSTRIAL MINI I/O Pigtail Cable Assembly, 8 Positions, 5 m
 [16.4 ft], 1 Gb/s, Black Cable, Shielded, 26 AWG, .129 mm² Wire

[View on TE.com >](#)



Cable Assemblies > Copper Cable Assemblies > Pluggable I/O Cable Assemblies



Cable Assembly Type: **INDUSTRIAL MINI I/O Pigtail**

Cable Assembly (End A): **INDUSTRIAL MINI I/O Plug**

Wire Size: **.129 mm²**

Outside Cable Diameter: **6.2 mm [.244 in]**

Features

Product Type Features

| | |
|-------------------------|-----------------------------|
| Latching Style | Slide Latch |
| Cable Assembly Category | Industry Standard |
| Cable Assembly Type | INDUSTRIAL MINI I/O Pigtail |
| Cable Assembly (End A) | INDUSTRIAL MINI I/O Plug |
| Cable Style | Twisted Pair |

Configuration Features

| | |
|----------------------------|---|
| Number of Positions | 8 |
| Number of Signal Positions | 8 |

Electrical Characteristics

| | |
|-----------|-------|
| Impedance | 100 Ω |
|-----------|-------|

Signal Characteristics

| | |
|-----------|--------|
| Data Rate | 1 Gb/s |
|-----------|--------|

Body Features

| | |
|---------------------------|--------------|
| Jacket Material | PUR |
| Shield Material | Copper Alloy |
| Cable Color | Black |
| Cable Flammability Rating | UL 444 |
| Equalized | No |

Contact Features



| | |
|--------------------------------------|-----------|
| Contact Mating Area Plating Material | Gold (Au) |
|--------------------------------------|-----------|

| | |
|--|-------------------|
| Contact Mating Area Plating Material Thickness | 19.68 μm [.5 μin] |
|--|-------------------|

Housing Features

| | |
|------------------|---------------|
| Housing Material | Thermoplastic |
|------------------|---------------|

Dimensions

| | |
|-----------|----------------------|
| Wire Size | .129 mm ² |
|-----------|----------------------|

| | |
|------------------------|------------------|
| Outside Cable Diameter | 6.2 mm [.244 in] |
|------------------------|------------------|

Operation/Application

| | |
|----------|-----|
| Shielded | Yes |
|----------|-----|

| | |
|--------------|-----|
| Halogen Free | Yes |
|--------------|-----|

Industry Standards

| | |
|----------------------|--------|
| Performance Category | Cat 5e |
|----------------------|--------|

Other

| | |
|------------------------------|--------------|
| Cable Assembly Configuration | Single Ended |
|------------------------------|--------------|

| | |
|-----------------------|---------------|
| Cable Assembly Length | 5 m [16.4 ft] |
|-----------------------|---------------|

Product Compliance

[For compliance documentation, visit the product page on TE.com>](#)

| | |
|------------------------------|-----------|
| EU RoHS Directive 2011/65/EU | Compliant |
|------------------------------|-----------|

| | |
|-----------------------------|-----------|
| EU ELV Directive 2000/53/EC | Compliant |
|-----------------------------|-----------|

| | |
|---|---|
| China RoHS 2 Directive MIIT Order No 32, 2016 | No Restricted Materials Above Threshold |
|---|---|

| | |
|--|---|
| EU REACH Regulation (EC) No. 1907/2006 | Current ECHA Candidate List: JAN 2025 (247) Candidate List Declared Against: JAN 2025 (247) Does not contain REACH SVHC |
|--|---|

| | |
|-----------------|--|
| Halogen Content | Not Low Halogen - contains Br or Cl > 900 ppm. |
|-----------------|--|

| | |
|---------------------------|--|
| Solder Process Capability | Not applicable for solder process capability |
|---------------------------|--|

Product Compliance Disclaimer

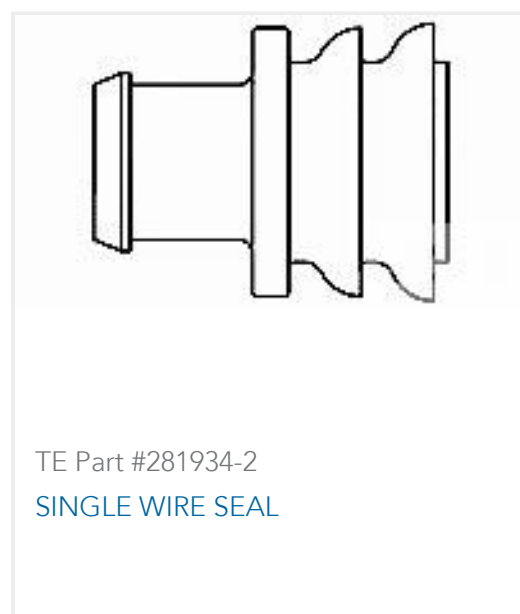
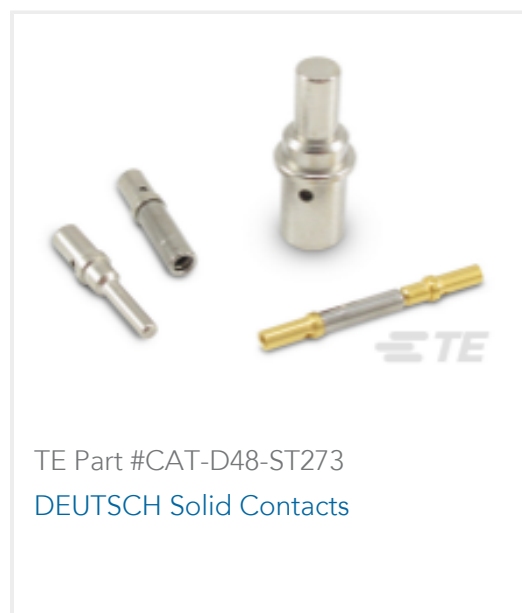
This information is provided based on reasonable inquiry of our suppliers and represents our current actual knowledge based on the information they provided. This information is subject to change. The part numbers that TE has identified as EU RoHS compliant have a maximum concentration of 0.1% by weight in homogenous materials for lead, hexavalent chromium, mercury, PBB, PBDE, DBP, BBP, DEHP, DIBP, and 0.01% for cadmium, or qualify for an exemption to these limits as defined in the Annexes of Directive 2011/65/EU (RoHS2). Finished electrical and electronic equipment products will be CE marked as required by Directive 2011/65/EU. Components may not be CE marked. Additionally, the part numbers that TE has identified as EU ELV compliant have a maximum concentration of 0.1% by weight in homogenous

materials for lead, hexavalent chromium, and mercury, and 0.01% for cadmium, or qualify for an exemption to these limits as defined in the Annexes of Directive 2000/53/EC (ELV). Regarding the REACH Regulation, the information TE provides on SVHC in articles for this part number is based on the latest European Chemicals Agency (ECHA) 'Guidance on requirements for substances in articles' posted at this URL: <https://echa.europa.eu/guidance-documents/guidance-on-reach>

Compatible Parts



Customers Also Bought



Documents

[Product Drawings](#)
[CA MINI IO TYPE II PIGTAIL](#)



English

[Product Specifications](#)

[Application Specification](#)

English