

2209201-4 ✓ ACTIVE

AMP | FAKRA RF Connector System

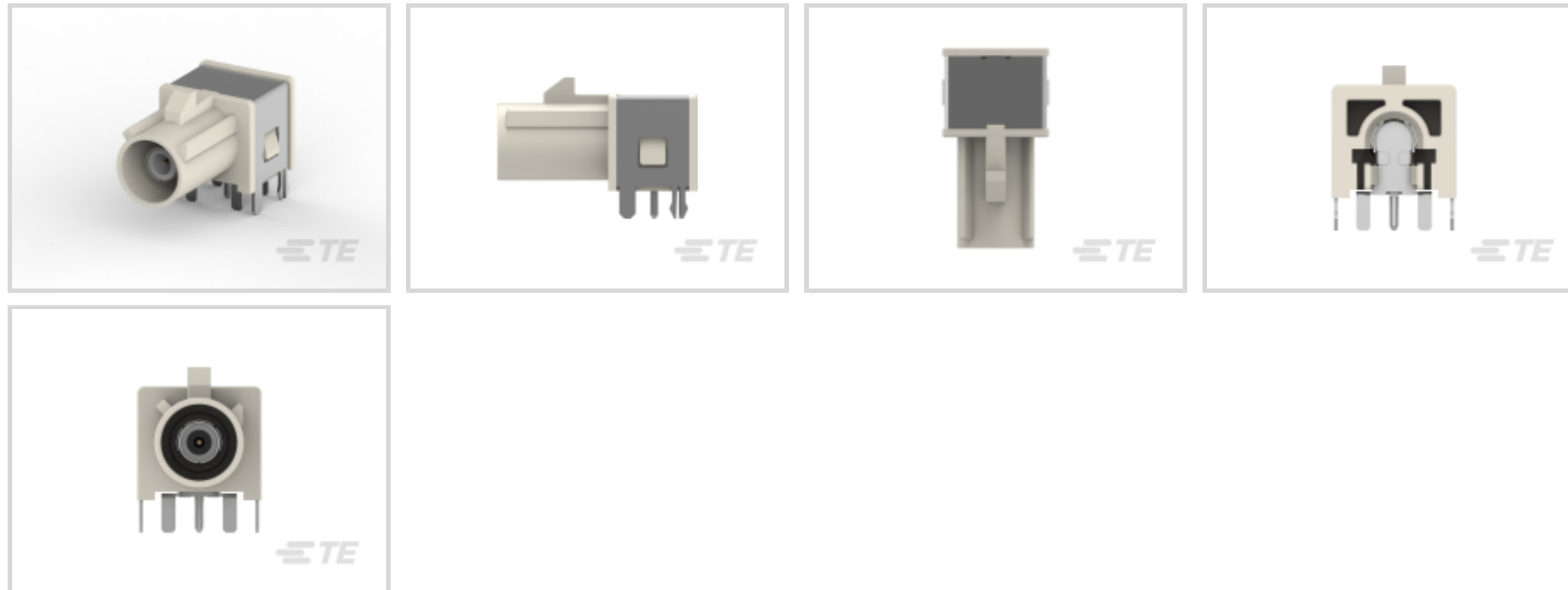
TE Internal #: 2209201-4

Wire-to-Board, Shielded, Horizontal, 1 Position, Board Mount, D Code, Signal, FAKRA RF Connector System, Data Connectivity Headers

[View on TE.com >](#)



Automotive Parts > Automotive Connectors > Data Connectivity Headers



Connector System: **Wire-to-Board**

Sealable: **No**

Shielded: **Yes**

PCB Mount Orientation: **Horizontal**

Number of Positions: **1**

Features

Product Type Features

Connector & Contact Terminates To	Printed Circuit Board
Mixed & Hybrid Connector	No
Connector System	Wire-to-Board
Sealable	No

Configuration Features

Number of Rows	1
PCB Mount Orientation	Horizontal
Number of Positions	1

Electrical Characteristics

Impedance	50 Ω
Operating Voltage	60 VDC

Body Features

PCB Retention Feature Plating Material	Tin
Body Material	PA6T GF30



Connector & Keying Code	D
-------------------------	---

Contact Features

Outer Contact Plating Material	Tin (Sn)
RF Connector Center Contact Plating Material	Gold (Au)
Contact Mating Area Plating Material	Gold (Au)
Center Contact	With
Contact Type	Pin
Mating Pin Diameter	.5 mm[.02 in]
Contact Current Rating (Max)	1 A

Termination Features

Termination Method to PCB	Through Hole - Solder
---------------------------	-----------------------

Mechanical Attachment

PCB Mount Retention	With
Mating Retention	With
PCB Mount Retention Type	Boardlock
Connector Mounting Type	Board Mount

Housing Features

Housing Color	Violet
---------------	--------

Dimensions

Product Width	10.4 mm[.409 in]
Product Length	19.5 mm[.768 in]
Connector Height	13.8 mm[.543 in]

Usage Conditions

Operating Temperature (Max)	105 °C[221 °F]
Operating Temperature Range	-40 – 105 °C[-40 – 221 °F]

Operation/Application

Operating Frequency Range	0 – 6 GHz
Assembly Process Feature	Board Standoff
Shielded	Yes
Circuit Application	Signal

Industry Standards



Compatible With Agency/Standards Products	USCAR
UL Flammability Rating	UL 94V-0

Other

Dielectric Material	PCT
---------------------	-----

Product Compliance

[For compliance documentation, visit the product page on TE.com>](#)

EU RoHS Directive 2011/65/EU	Compliant
EU ELV Directive 2000/53/EC	Compliant
China RoHS 2 Directive MIIT Order No 32, 2016	No Restricted Materials Above Threshold
EU REACH Regulation (EC) No. 1907/2006	Current ECHA Candidate List: JAN 2025 (247) Candidate List Declared Against: JAN 2025 (247) Does not contain REACH SVHC
Halogen Content	Low Halogen - Br, Cl, F, I < 900 ppm per homogenous material. Also BFR/CFR/PVC Free
Solder Process Capability	Wave solder capable to 265°C

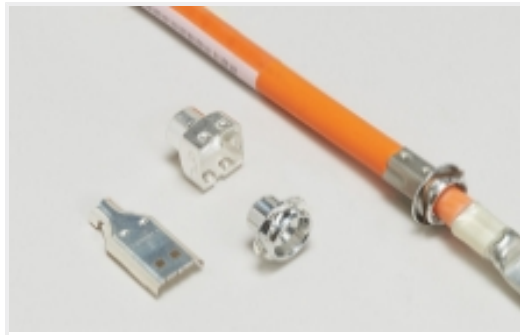
Product Compliance Disclaimer

This information is provided based on reasonable inquiry of our suppliers and represents our current actual knowledge based on the information they provided. This information is subject to change. The part numbers that TE has identified as EU RoHS compliant have a maximum concentration of 0.1% by weight in homogenous materials for lead, hexavalent chromium, mercury, PBB, PBDE, DBP, BBP, DEHP, DIBP, and 0.01% for cadmium, or qualify for an exemption to these limits as defined in the Annexes of Directive 2011/65/EU (RoHS2). Finished electrical and electronic equipment products will be CE marked as required by Directive 2011/65/EU. Components may not be CE marked. Additionally, the part numbers that TE has identified as EU ELV compliant have a maximum concentration of 0.1% by weight in homogenous materials for lead, hexavalent chromium, and mercury, and 0.01% for cadmium, or qualify for an exemption to these limits as defined in the Annexes of Directive 2000/53/EC (ELV). Regarding the REACH Regulation, the information TE provides on SVHC in articles for this part number is based on the latest European Chemicals Agency (ECHA) 'Guidance on requirements for substances in articles' posted at this URL: <https://echa.europa.eu/guidance-documents/guidance-on-reach>

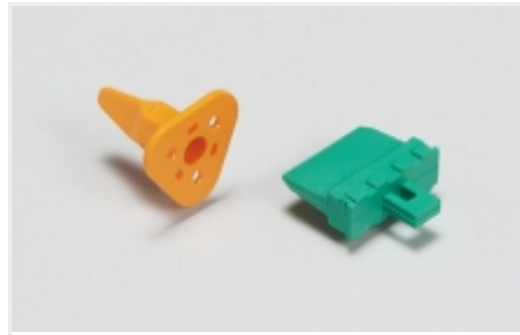
Compatible Parts



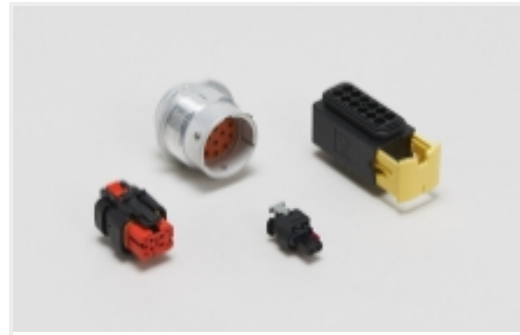
Also in the Series | FAKRA RF Connector System



Automotive Connector EMC Shielding (3)



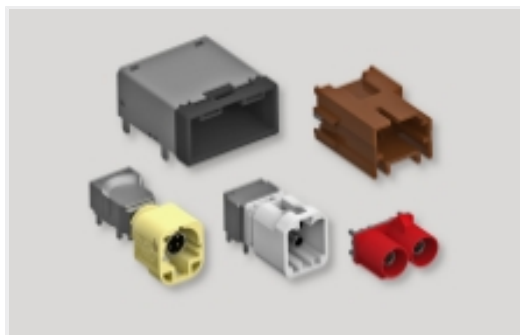
Automotive Connector Locks & Position Assurance(8)



Automotive Housings(2)



Automotive Seals & Cavity Plugs(1)



Data Connectivity Headers(393)



Infotainment & Multimedia Cable Assemblies(1)



Other Automotive Connector Accessories(29)

Customers Also Bought



TE Part #CAT-D48-ST273
DEUTSCH Solid Contacts



TE Part #CAT-D487-W416
Wedgelocks: DEUTSCH DT



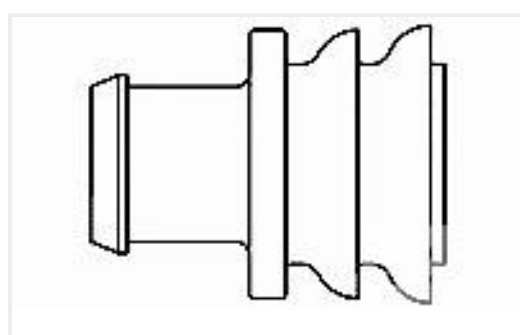
TE Part #DT06-2S
PLG, 2P, GRY, N



TE Part #DT04-2P
REC, 2P, GRY, N



TE Part #206070-8
CABLE CLAMP KIT #17



TE Part #281934-2
SINGLE WIRE SEAL



TE Part #CAT-AM71-CH8172
AMP SUPERSEAL 1.5MM,
CONNECTOR HOUSING

Documents

Product Drawings

Jack Assy, RA, Panel Mount, PCB, FAKRA

English

CAD Files

3D PDF

3D



Customer View Model

[ENG_CVM_CVM_2209201-4_B_c-2209201-4-b.2d_dxf.zip](#)

English

Customer View Model

[ENG_CVM_CVM_2209201-4_B_c-2209201-4-b.3d_igs.zip](#)

English

Customer View Model

[ENG_CVM_CVM_2209201-4_B_c-2209201-4-b.3d_stp.zip](#)

English

By downloading the CAD file I accept and agree to the [Terms and Conditions](#) of use.

Product Specifications

[Application Specification](#)

English