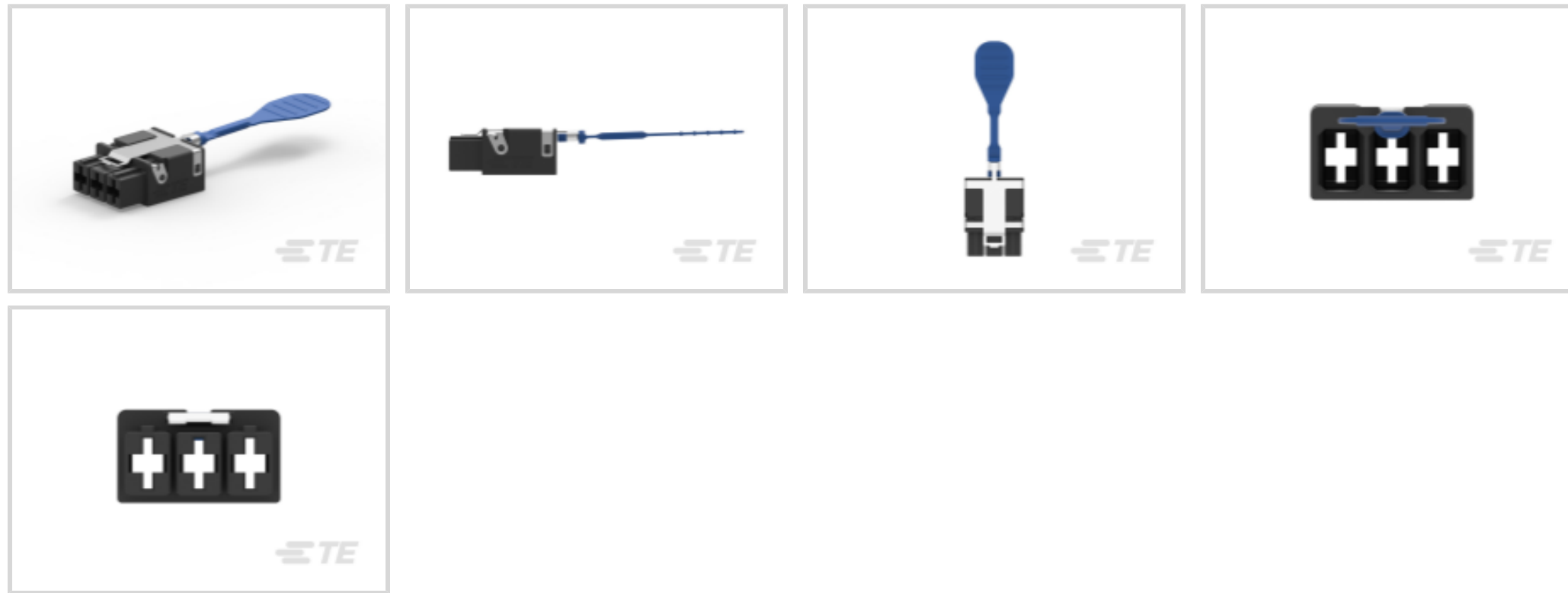




TE Internal #: 2204534-1
 3 Position, Plug, Connector Assembly, Crimp, Wire-to-Board, UL 94V-0, 5.7 mm [.224 in] Centerline, 1 Row, 400 VAC, Wire & Cable, Power

[View on TE.com >](#)

Connectors > Rectangular Connectors > Standard Rectangular Connectors



Connector Product Type: **Connector Assembly**

Connector & Housing Type: **Plug**

Connector System: **Wire-to-Board**

Contact Retention Within Housing: **With**

UL Flammability Rating: **UL 94V-0**

Features

Product Type Features

Connector Product Type	Connector Assembly
Connector & Housing Type	Plug
Connector System	Wire-to-Board
Sealable	No
Connector & Contact Terminates To	Wire & Cable

Configuration Features

Number of Positions	3
Number of Rows	1
Number of Power Positions	3
Number of Signal Positions	0

Electrical Characteristics

Operating Voltage	400 VDC
-------------------	---------

Body Features

Primary Product Color	Black
-----------------------	-------



Contact Features

Contact Retention Within Housing	With
Contact Type	Receptacle

Termination Features

Termination Method to Wire & Cable	Crimp
------------------------------------	-------

Mechanical Attachment

Connector Mounting Type	Cable Mount (Free-Hanging)
-------------------------	----------------------------

Housing Features

Centerline (Pitch)	5.7 mm [.224 in]
Housing Material	LCP GF30

Dimensions

Wire Size	10 CMA
-----------	--------

Usage Conditions

Operating Temperature Range	-40 – 105 °C [-40 – 221 °F]
-----------------------------	-----------------------------

Operation/Application

Circuit Application	Power
---------------------	-------

Industry Standards

UL Flammability Rating	UL 94V-0
Glow Wire Rating	Standard Part - Not Glow Wire

Packaging Features

Packaging Method	Tray
------------------	------

Product Compliance

[For compliance documentation, visit the product page on TE.com>](#)

EU RoHS Directive 2011/65/EU	Compliant
EU ELV Directive 2000/53/EC	Compliant
China RoHS 2 Directive MIIT Order No 32, 2016	No Restricted Materials Above Threshold
EU REACH Regulation (EC) No. 1907/2006	Current ECHA Candidate List: JAN 2025 (247) Candidate List Declared Against: JAN 2025 (247) Does not contain REACH SVHC
Halogen Content	Low Halogen - Br, Cl, F, I < 900 ppm per



homogenous material. Also BFR/CFR/PVC Free

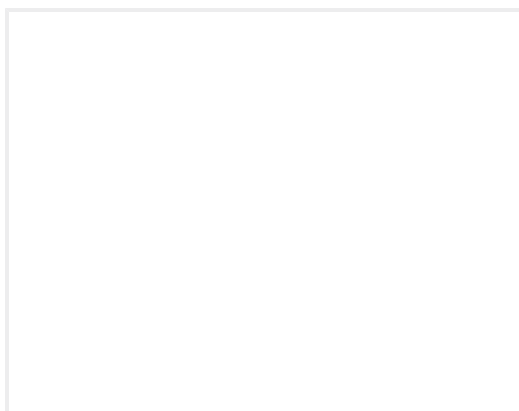
Solder Process Capability

Not applicable for solder process capability

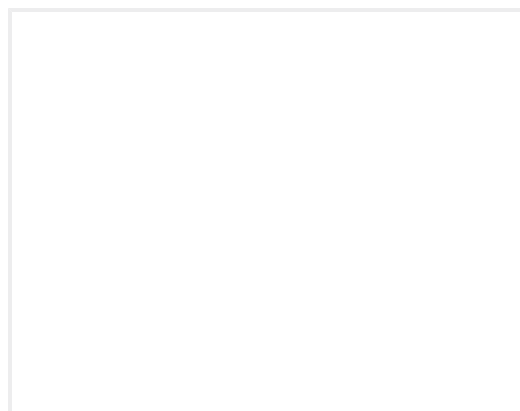
Product Compliance Disclaimer

This information is provided based on reasonable inquiry of our suppliers and represents our current actual knowledge based on the information they provided. This information is subject to change. The part numbers that TE has identified as EU RoHS compliant have a maximum concentration of 0.1% by weight in homogenous materials for lead, hexavalent chromium, mercury, PBB, PBDE, DBP, BBP, DEHP, DIBP, and 0.01% for cadmium, or qualify for an exemption to these limits as defined in the Annexes of Directive 2011/65/EU (RoHS2). Finished electrical and electronic equipment products will be CE marked as required by Directive 2011/65/EU. Components may not be CE marked. Additionally, the part numbers that TE has identified as EU ELV compliant have a maximum concentration of 0.1% by weight in homogenous materials for lead, hexavalent chromium, and mercury, and 0.01% for cadmium, or qualify for an exemption to these limits as defined in the Annexes of Directive 2000/53/EC (ELV). Regarding the REACH Regulation, the information TE provides on SVHC in articles for this part number is based on the latest European Chemicals Agency (ECHA) 'Guidance on requirements for substances in articles' posted at this URL: <https://echa.europa.eu/guidance-documents/guidance-on-reach>

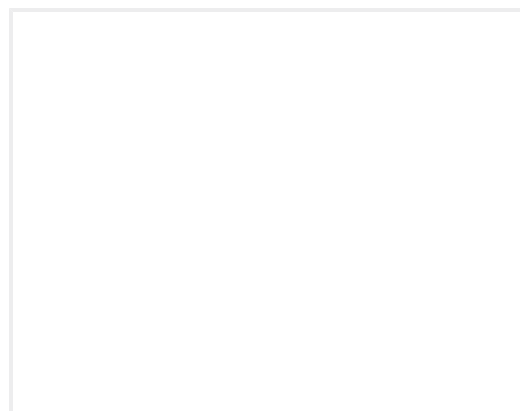
Compatible Parts



TE Part # 2204535-2
ELCON MINI 2X3P STACKED RA HDR, SDR, LUBR



TE Part # 2204535-4
ELCON MINI 2X3P STACKED RA HEADER,SOLDER



TE Part # 2246068-3
ELCON MINI 2P CABLE CONN,STD PULL-TAB



TE Part # 2204529-2
ELCON MINI 3P RA HEADER,SOLDER, STANDARD



TE Part # 2204535-3
ELCON MINI 2X3P STACKED RA HEADER,SOLDER



TE Part # 2204535-1
ELCON MINI 2X3P STACKED RA HEADER,SOLDER



TE Part # 2204585-2
ELCON MINI 3P VERT HEADER, SOLDER,T/P



TE Part # 2204585-4
ELCON MINI 3P VERT HEADER, SOLDER,STD



TE Part # 2204581-2
ELCON MINI 3P RA HEADER,PRESS-FIT,STD



TE Part # 2204581-3
ELCON MINI 3P RA HEADER,PRESS-FIT,STD



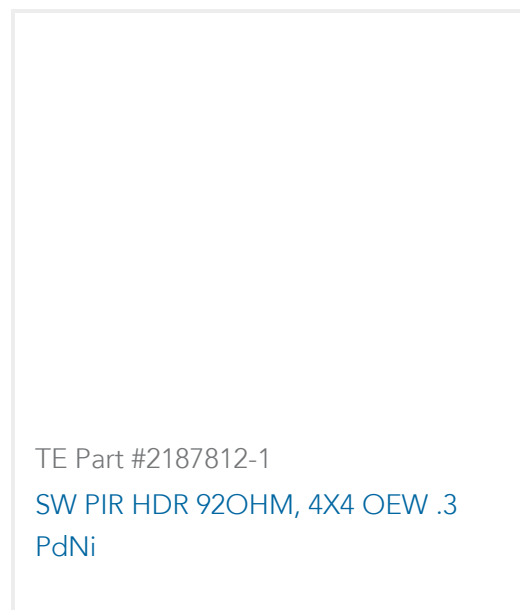
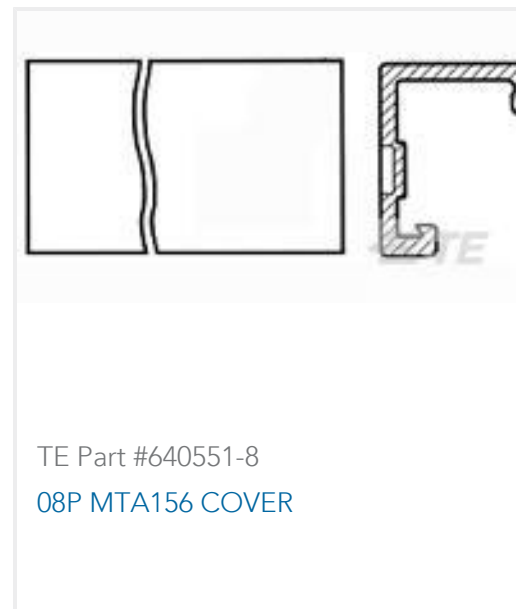
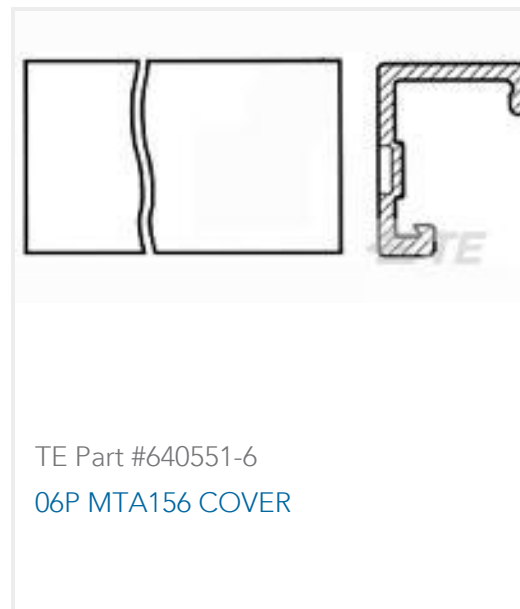
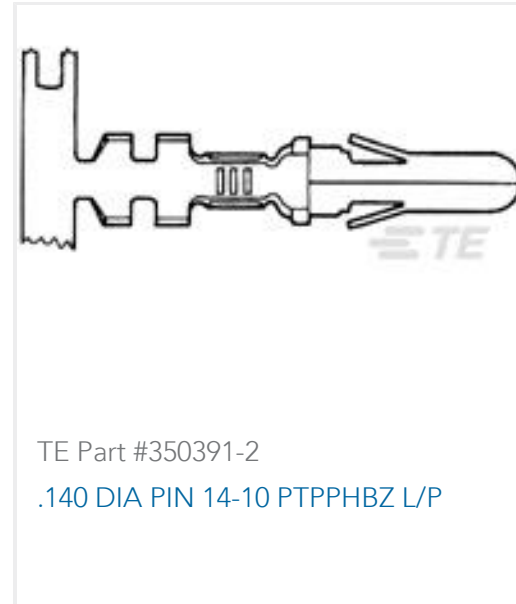
TE Part # 2204581-1
ELCON MINI 3P RA HEADER,PRESS-FIT,T/P



TE Part # 2204529-1
ELCON MINI 3P RA HEADER,SOLDER, T/P



Customers Also Bought



Documents

Product Drawings

[ELCON MINI 3P CABLE CONN,PULL-TAB](#)

English

CAD Files

[3D PDF](#)

[3D](#)

[Customer View Model](#)

[ENG_CVM_CVM_2204534-1_B.2d_dxf.zip](#)



English

Customer View Model

[ENG_CVM_CVM_2204534-1_B.3d_igs.zip](#)

English

Customer View Model

[ENG_CVM_CVM_2204534-1_B.3d_stp.zip](#)

English

By downloading the CAD file I accept and agree to the [Terms and Conditions](#) of use.

Product Specifications

[Application Specification](#)

English