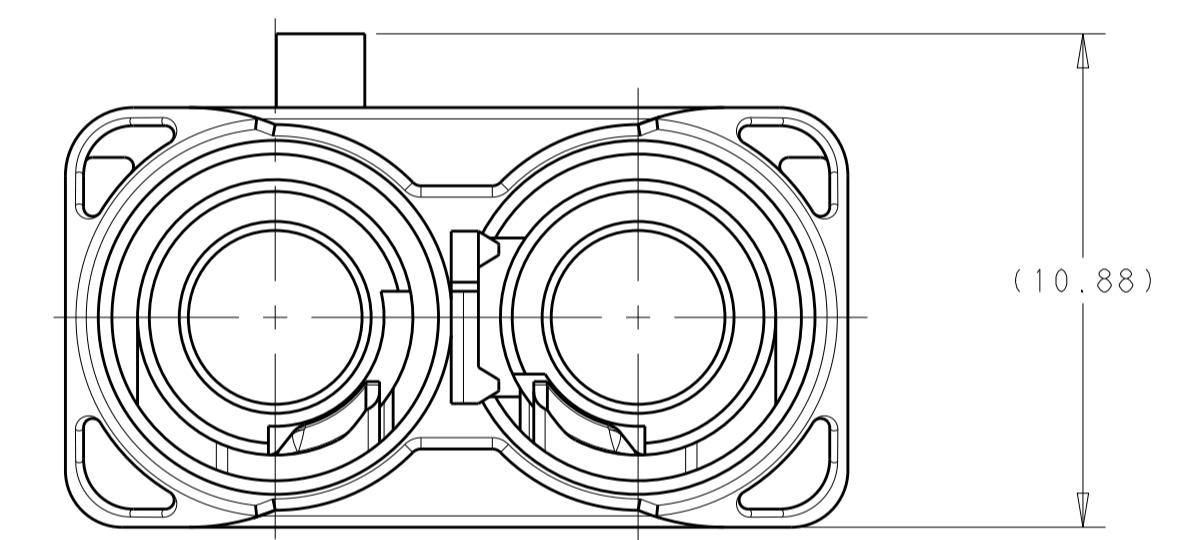
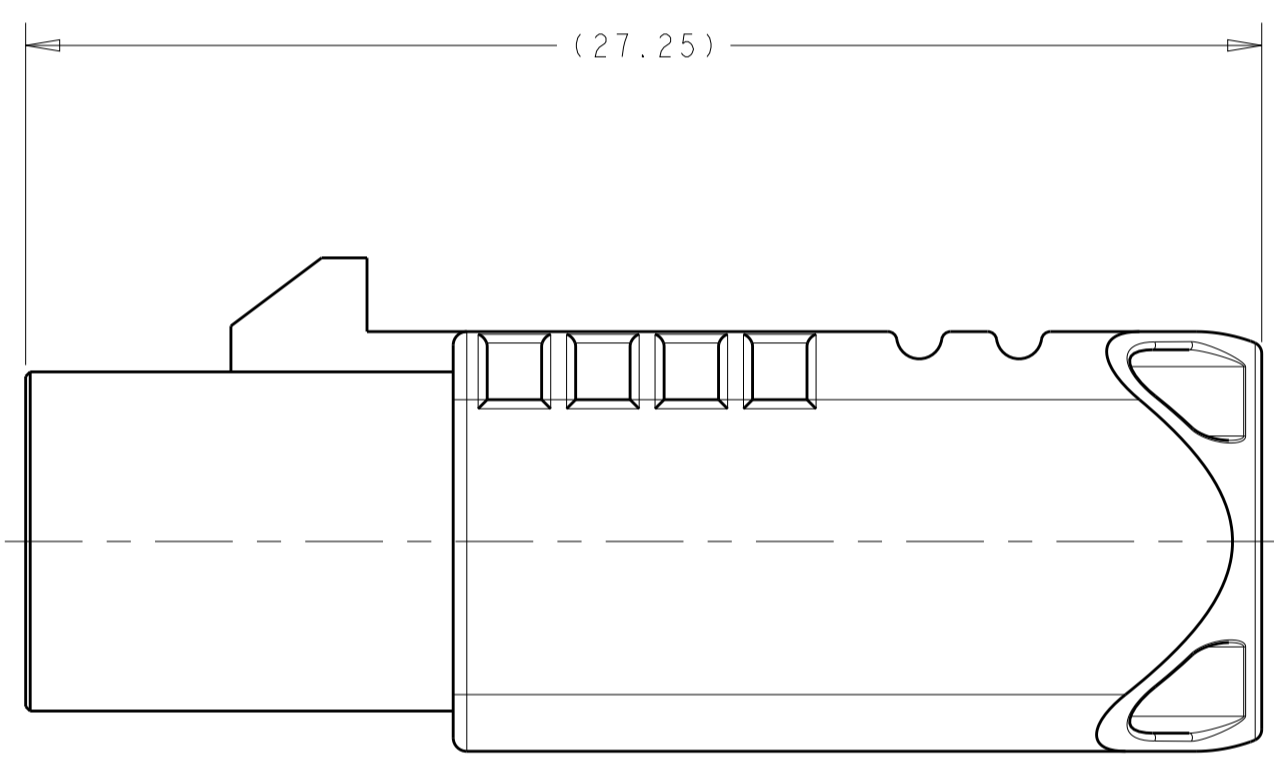
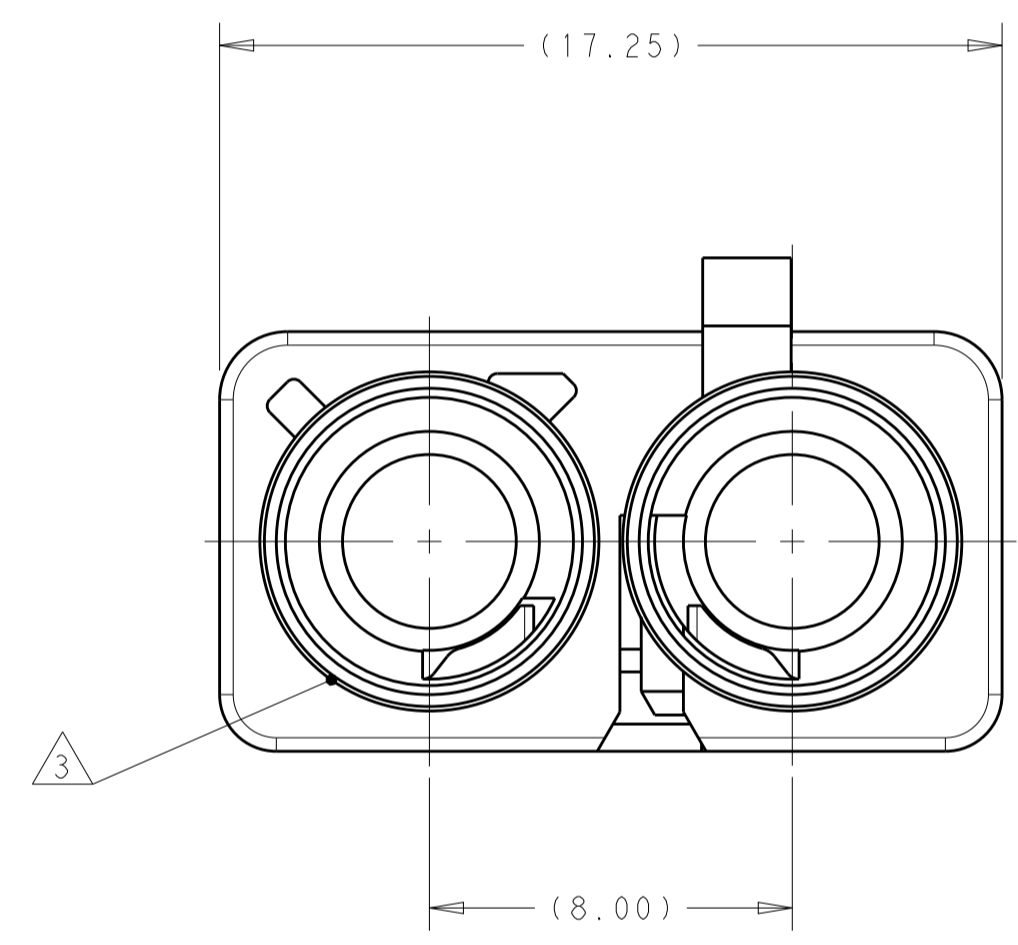
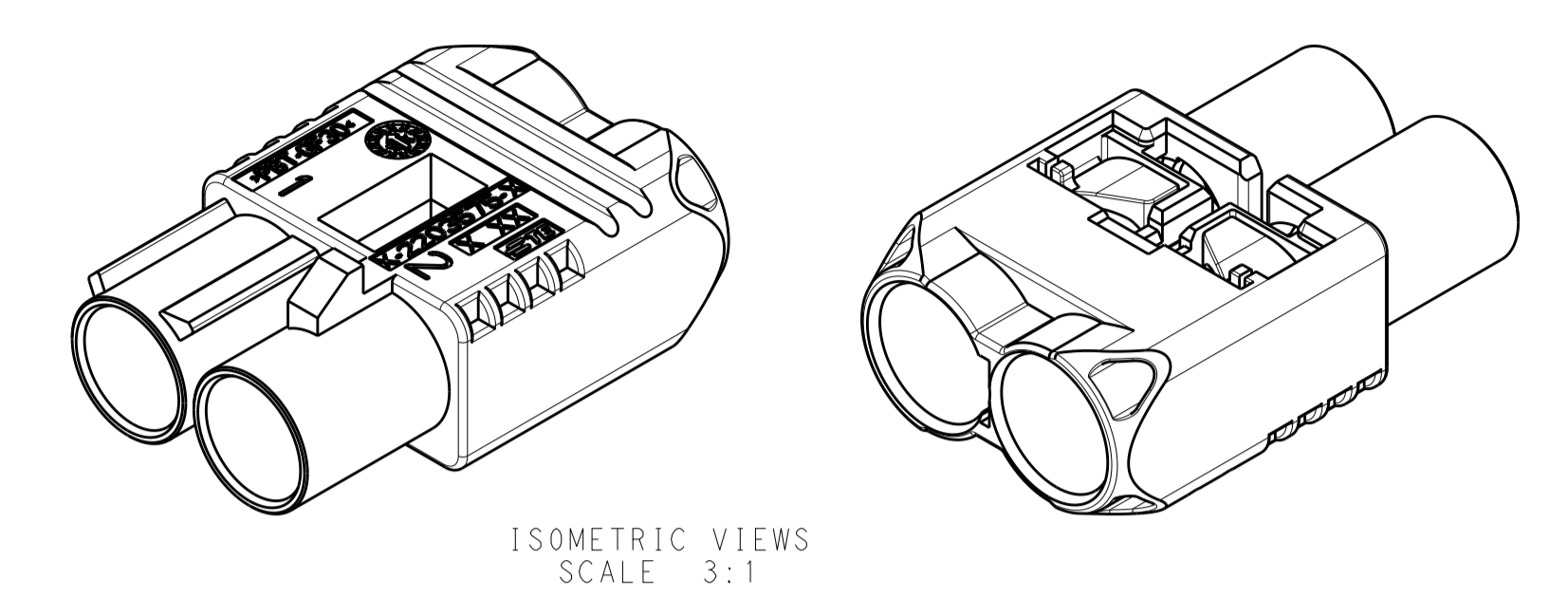
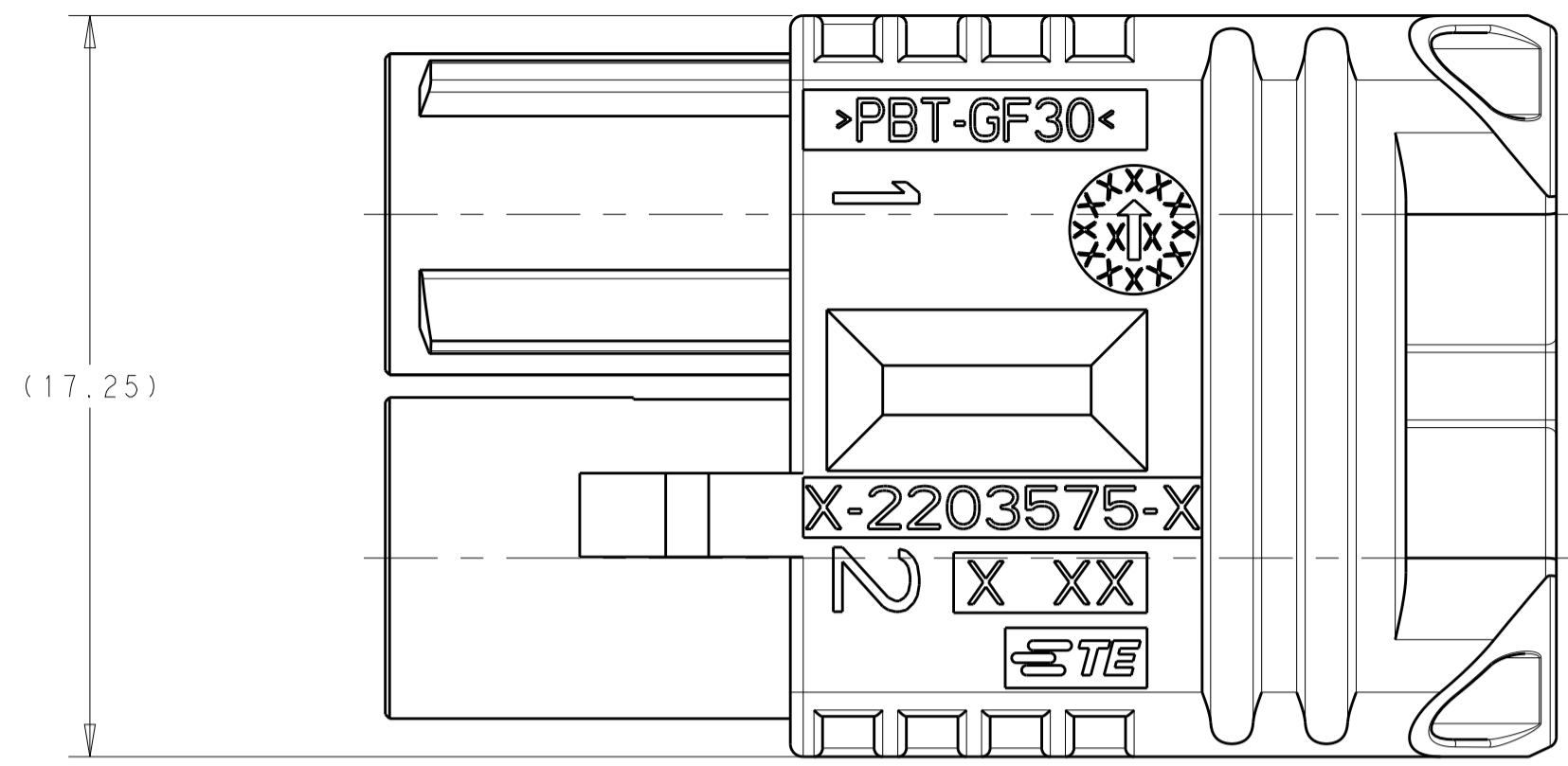


REVISIONS				
P.	LTN	DESCRIPTION	DATE	APVD
1		INITIAL DRAWING.	26APR2017	JAB ERL



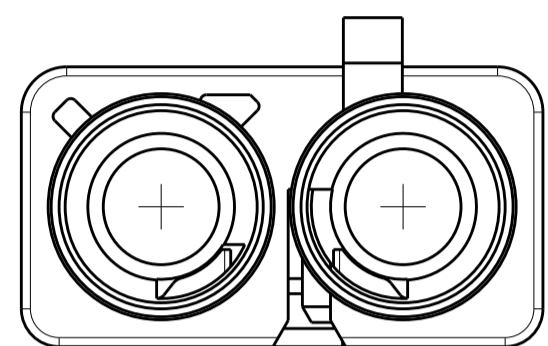
Z	PER DETAIL Z	WATER BLUE	2-2203575-0
N	PER DETAIL N	PASTEL GREEN	1-2203575-3
M	PER DETAIL M	PASTEL ORANGE	1-2203575-2
L	PER DETAIL L	CARMINE RED	1-2203575-1
K	PER DETAIL K	CURRY	1-2203575-0
I	PER DETAIL I	BEIGE	2203575-9
H	PER DETAIL H	HEATHER VIOLET	2203575-8
G	PER DETAIL G	BLUE GREY	2203575-7
F	PER DETAIL F	NUT BROWN	2203575-6
E	PER DETAIL E	LEAF GREEN	2203575-5
D	PER DETAIL D	CLARET VIOLET	2203575-4
C	PER DETAIL C	SIGNAL BLUE	2203575-3
B	PER DETAIL B	CREAM	2203575-2
A	PER DETAIL A	JET BLACK	2203575-1
KEY CODE	KEYING	CODING COLOR	PART NUMBER

1. 2203575-1 AS SHOWN.
 2 MATERIAL, POLYESTER PBT, COLOR SEE TABLE.
 3 MALE INTERFACE PER ISO-20860-1, ISO-20860-2, SAE/USCAR-17, SAE/USCAR-18.

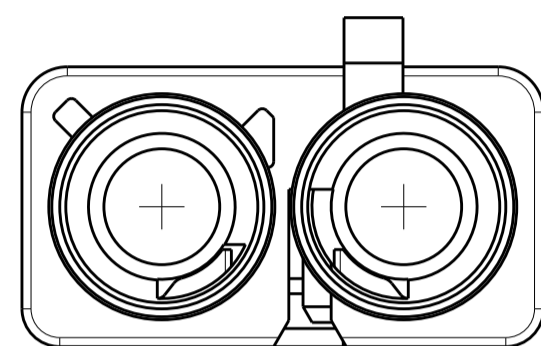
THIS DRAWING IS A CONTROLLED DOCUMENT.		OWN J.A.BAKER 26APR2017	TE Connectivity	
DIMENSIONS:		CHK E.R.LOVE 18JUL2017		
TOLERANCES UNLESS OTHERWISE SPECIFIED:		APVD E.R.LOVE 18JUL2017	NAME MALE HOUSING, 2 POSITION, 8.0mm CENTERLINE, 180 DEGREE, FAKRA	
mm	0 PLC ±	PRODUCT SPEC	SIZE CAGE CODE DRAWING NO	
	1 PLC ±	108-32137	RESTRICTED TO	
	2 PLC ±	APPLICATION SPEC	A1 - C=2203575	
	3 PLC ±	114-32145	SCALE 6:1 SHEET 1 OF 2 REV A	
	4 PLC ±	WEIGHT		
	ANGLES ±1*	CUSTOMER DRAWING		
	FINISH			

THIS DRAWING IS UNPUBLISHED. RELEASED FOR PUBLICATION. COPYRIGHT copyright_e81e- ALL RIGHTS RESERVED.

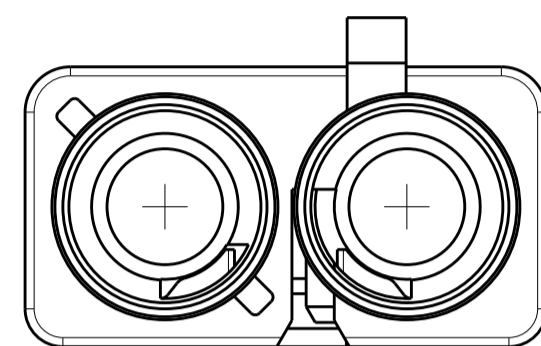
REVISIONS				
P.	LTN	DESCRIPTION	DATE	APVD
-	-	SEE SHEET 1	-	-



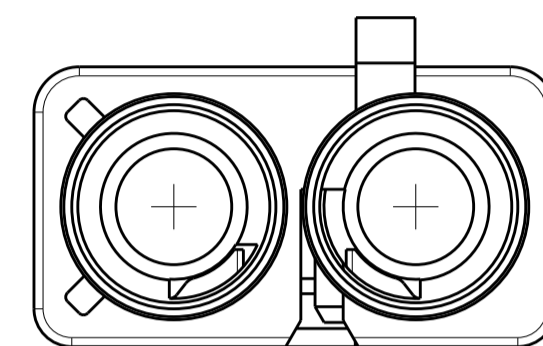
DETAIL A
SCALE 4:1



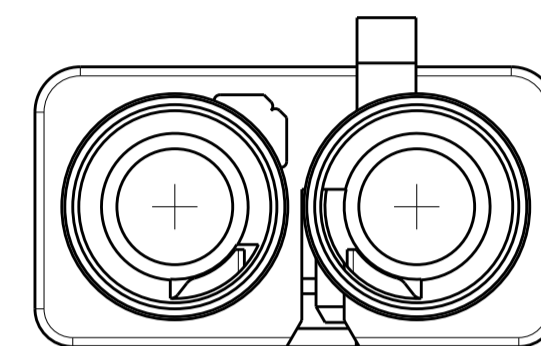
DETAIL B
SCALE 4:1



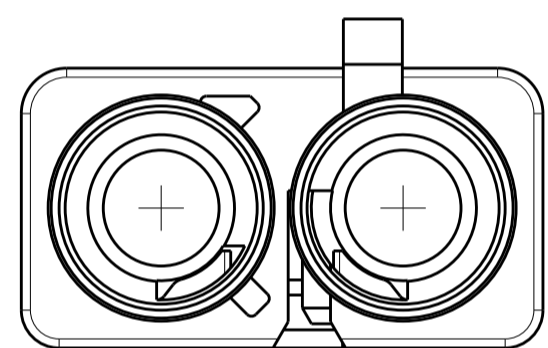
DETAIL C
SCALE 4:1



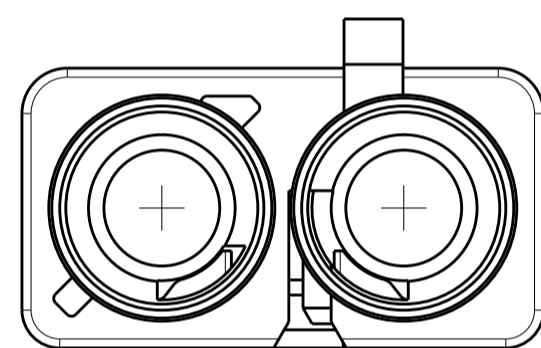
DETAIL D
SCALE 4:1



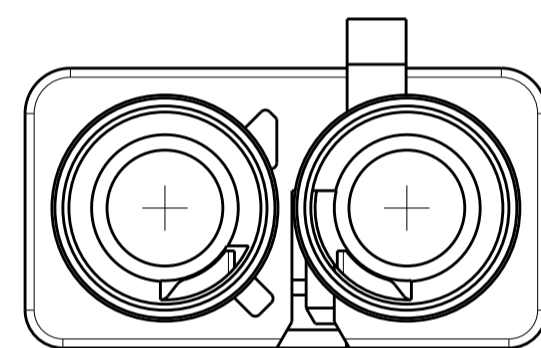
DETAIL E
SCALE 4:1



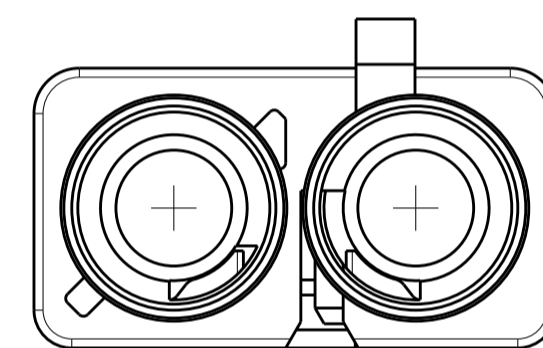
DETAIL F
SCALE 4:1



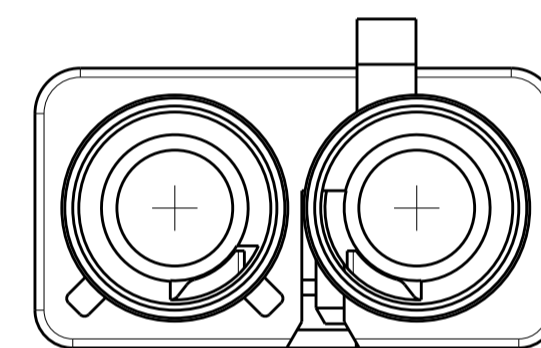
DETAIL G
SCALE 4:1



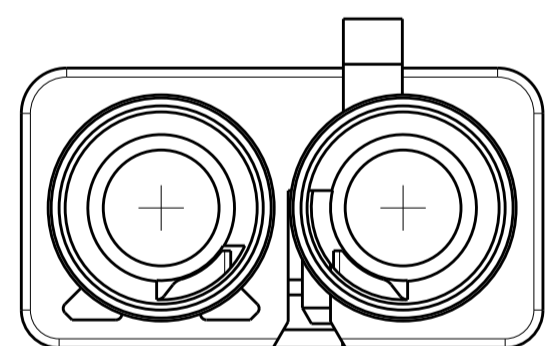
DETAIL H
SCALE 4:1



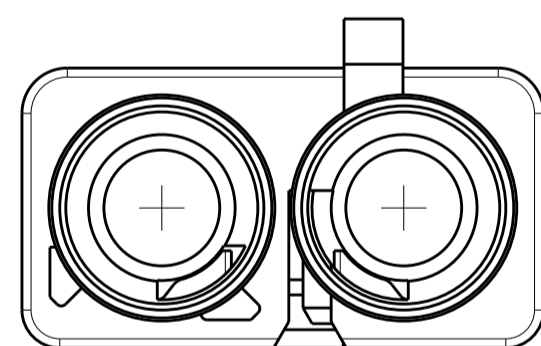
DETAIL I
SCALE 4:1



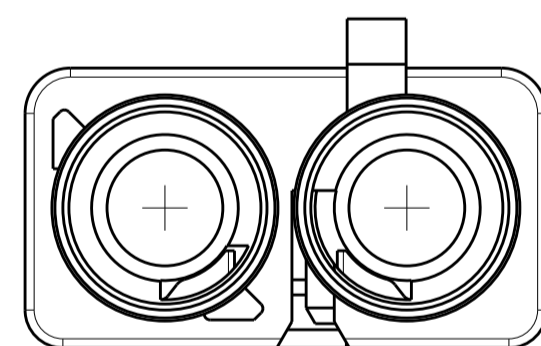
DETAIL K
SCALE 4:1



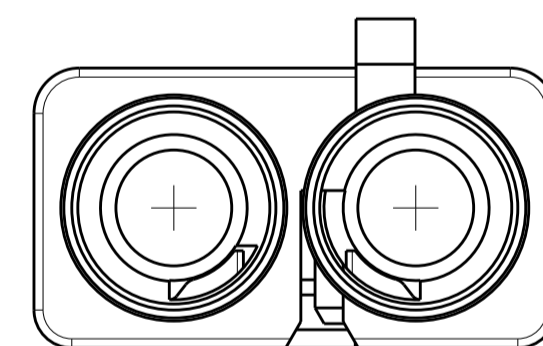
DETAIL L
SCALE 4:1



DETAIL M
SCALE 4:1



DETAIL N
SCALE 4:1



DETAIL Z
SCALE 4:1

THIS DRAWING IS A CONTROLLED DOCUMENT.		OWN: J.A. BAKER 26APR2017	
DIMENSIONS: mm		CHK: E.R. LOVE 18JUL2017	
TOLERANCES UNLESS OTHERWISE SPECIFIED:		APVD: E.R. LOVE 18JUL2017	
0 PLC ± 1 PLC ± 2 PLC ± 3 PLC ± 4 PLC ± ANGLES ±1°		NAME: MALE HOUSING, 2 POSITION, 8.0mm CENTERLINE, 180 DEGREE, FAKRA PRODUCT SPEC: 108-32137 APPLICATION SPEC: 114-32145	
MATERIAL: -	FINISH: -	WEIGHT: -	SIZE: A1 CAGE CODE: - DRAWING NO: C=2203575 RESTRICTED TO: - SCALE: 5:1 SHEET 2 OF 2 REV A
CUSTOMER DRAWING			