



Connectors > Pluggable IO Connectors & Cages

Pluggable I/O Product Type: **Cage Assembly**Sealable: **Yes**Circuit Application: **Signal**Operating Temperature Range: **-55 – 105 °C [-67 – 221 °F]**Data Rate (Max): **16 Gb/s**

Features

Product Type Features

Cage Type	Ganged
Thermal Accessory Type Included	Heat Sink
Pluggable I/O Product Type	Cage Assembly
Sealable	Yes
Form Factor	SFP+

Configuration Features

Number of Ports	2
Port Matrix Configuration	1 x 2

Electrical Characteristics

Data Rate (Max)	16 Gb/s
-----------------	---------

Body Features

Heat Sink Style	Pin
Heat Sink Height	4.2 mm[.165 in]
Heat Sink Height Class	PCI

Termination Features

Termination Method to PCB	Through Hole - Press-Fit
Termination Post & Tail Length	2.05 mm[.081 in]

Housing Features

Cage Material	Nickel Silver
---------------	---------------



Dimensions

PCB Thickness (Recommended)	1.5 mm[.059 in]
-----------------------------	-----------------

Usage Conditions

Operating Temperature Range	-55 – 105 °C[-67 – 221 °F]
-----------------------------	----------------------------

Operation/Application

Pluggable I/O Applications	SFP+ Enhanced
Heat Sink Compatible	Yes
Circuit Application	Signal

Packaging Features

Packaging Method	Tray
------------------	------

Other

Included Lightpipe	No
EMI Containment Feature Type	Elastomeric Gasket

Product Compliance

[For compliance documentation, visit the product page on TE.com>](#)

EU RoHS Directive 2011/65/EU	Compliant
EU ELV Directive 2000/53/EC	Compliant
China RoHS 2 Directive MIIT Order No 32, 2016	No Restricted Materials Above Threshold
EU REACH Regulation (EC) No. 1907/2006	Current ECHA Candidate List: JAN 2025 (247) Candidate List Declared Against: JAN 2025 (247) Does not contain REACH SVHC
Halogen Content	Low Halogen - Br, Cl, F, I < 900 ppm per homogenous material. Also BFR/CFR/PVC Free
Solder Process Capability	Not applicable for solder process capability

Product Compliance Disclaimer

This information is provided based on reasonable inquiry of our suppliers and represents our current actual knowledge based on the information they provided. This information is subject to change. The part numbers that TE has identified as EU RoHS compliant have a maximum concentration of 0.1% by weight in homogenous materials for lead, hexavalent chromium, mercury, PBB, PBDE, DBP, BBP, DEHP, DIBP, and 0.01% for cadmium, or qualify for an exemption to these limits as defined in the Annexes of Directive 2011/65/EU (RoHS2). Finished electrical and electronic equipment products will be CE marked as required by Directive 2011/65/EU. Components may not be CE marked. Additionally, the part numbers that TE has identified as EU ELV compliant have a maximum concentration of 0.1% by weight in homogenous materials for lead, hexavalent chromium, and mercury, and 0.01% for cadmium, or qualify for an exemption to these limits as defined in the Annexes of Directive 2000/53/EC (ELV). Regarding the REACH Regulation, the information TE provides on SVHC in articles for this part number is based on the latest European Chemicals Agency (ECHA) 'Guidance on

requirements for substances in articles' posted at this URL: <https://echa.europa.eu/guidance-documents/guidance-on-reach>

Compatible Parts



TE Part # CAT-C11-H5062
 SFP+ to SFP+ I/O Cable Assembly: 28 AWG



TE Part # 4-2821224-5
 SFP56 DIRECT ATTACH CA, 3M, 26AWG



TE Part # CAT-C11-N49011
 SFP28 to SFP28 Cable Assembly: 26 AWG



TE Part # CAT-Q17-N49011
 QSFP56-Four SFP56 Cable Assembly: 30 AWG



TE Part # 2142970-2
 CABLE ASSY, MICRO SFP+ TO STD SFP+, 1M



TE Part # 2334985-2
 SFP28 DIRECT ATTACH CA, 1M, 32AWG



TE Part # 2142970-4
 CABLE ASSY, MICRO SFP+ TO STD SFP+, 3M



TE Part # 2142970-3
 CABLE ASSY, MICRO SFP+ TO STD SFP+, 2M



TE Part # CAT-C11-N490325
 QSFP28-Four SFP+ Cable Assembly: 26 AWG



TE Part # CAT-C11-N490333
 QSFP28-Four SFP+ Cable Assembly: 30 AWG



TE Part # CAT-Q17-N490333
 QSFP56-Four SFP56 Cable Assembly: 26 AWG



TE Part # 2142970-5
 CABLE ASSY, MICRO SFP+ TO STD SFP+, 4M



TE Part # 2142970-6
 CABLE ASSY, MICRO SFP+ TO STD SFP+, 5M



TE Part # 2821033-8
 QSFP TO [4]SFP+, 28G, 1M, 33AWG



TE Part # CAT-C11-H506
 SFP+ to SFP+ I/O Cable Assembly: 26 AWG



TE Part # 4-2334985-2
 SFP56 DIRECT ATTACH CA, 1M, 32AWG



TE Part # 2110759-1
 PT CONN ASSY 20 POS 16G SFP



TE Part # CAT-C11-H50626
 SFP+ to SFP+ I/O Cable Assembly: 30 AWG



TE Part # 2142970-1
 CABLE ASSY, MICRO SFP+ TO STD SFP+, 0.5M

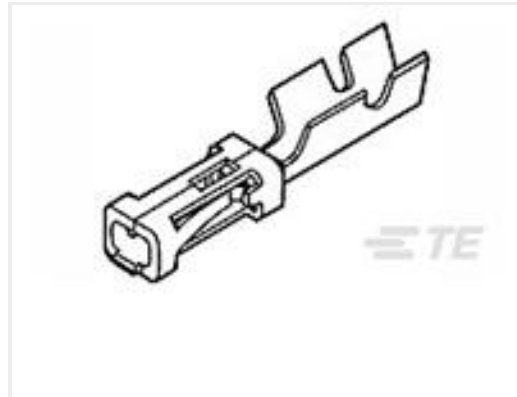


TE Part # 4-2821222-5
 SFP56 DIRECT ATTACH CA, 2M, 30AWG

Customers Also Bought



TE Part #32859
 TERMINAL, BUDG R 26-22 8



TE Part #87667-2
 MOD IV RECP LP



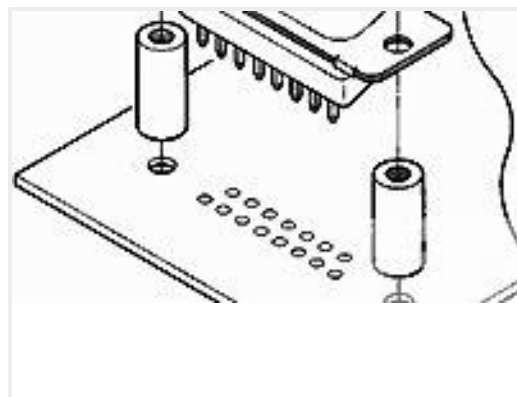
TE Part #1658537-3
 SOCKET CONT DUPL PLT STRIP HD-



TE Part #1-2118651-0
 RF CA, UMCC GEN1-GEN1, 1.13MM CABLE, L60MM



TE Part #3-2176372-0
 RQ 0603 100K 0.1% 10PPM 5K RL



TE Part #5205933-4
 STANDOFF BUSHING, BULK PACKED



TE Part #3-5353652-6
 .5FHP08H, 440, B, GIG, 08/Sn, HT, NSYes



TE Part #5414907-1
 JACK, PCB, 75 OHM, NC



TE Part #5745854-3
 CABLE CLAMP KIT, SZ 1



TE Part #RJ45-ECS
 RJ45, ECS, 12in

Documents

Product Drawings

SFP+ Enhanced 1x2, PCI Heatsink

English

CAD Files

3D PDF

3D

Customer View Model

ENG_CVM_CVM_2198224-1_A.2d_dxf.zip



English

Customer View Model

[ENG_CVM_CVM_2198224-1_A.3d_igs.zip](#)

English

Customer View Model

[ENG_CVM_CVM_2198224-1_A.3d_stp.zip](#)

English

By downloading the CAD file I accept and agree to the [Terms and Conditions](#) of use.

Product Specifications

[Application Specification](#)

English