



Power Triple Lock

TE Internal #: 2-1971777-3

TPA (Terminal Position Assurance), Natural, Glass-Filled PBT, 3 Position, Power Triple Lock

[View on TE.com >](#)

Connectors > Connector Accessories > Connector Hardware



Hardware Accessory Function: **Position Assurance**

Connector Hardware Accessory Type: **TPA (Terminal Position Assurance)**

Primary Product Color: **Natural**

Primary Product Material: **Glass-Filled PBT**

Number of Positions: **3**

Features

Product Type Features

Hardware Accessory Function	Position Assurance
Connector Hardware Accessory Type	TPA (Terminal Position Assurance)

Configuration Features

Number of Positions	3
---------------------	---

Body Features

Primary Product Color	Natural
Primary Product Material	Glass-Filled PBT

Usage Conditions

Operating Temperature (Max)	140 °C[284 °F]
Operating Temperature Range	-55 – 140 °C[-67 – 284 °F]

Industry Standards

UL Flammability Rating	UL 94V-0
Glow Wire Rating	Hot Wire Part - Not Glow Wire

Packaging Features



Packaging Method	Bag
Packaging Quantity	2500

Product Compliance

[For compliance documentation, visit the product page on TE.com>](#)

EU RoHS Directive 2011/65/EU	Compliant
EU ELV Directive 2000/53/EC	Compliant
China RoHS 2 Directive MIIT Order No 32, 2016	No Restricted Materials Above Threshold
EU REACH Regulation (EC) No. 1907/2006	Current ECHA Candidate List: JAN 2025 (247) Candidate List Declared Against: JAN 2025 (247) Does not contain REACH SVHC
Halogen Content	Not Low Halogen - contains Br or Cl > 900 ppm.
Solder Process Capability	Not reviewed for solder process capability

Product Compliance Disclaimer

This information is provided based on reasonable inquiry of our suppliers and represents our current actual knowledge based on the information they provided. This information is subject to change. The part numbers that TE has identified as EU RoHS compliant have a maximum concentration of 0.1% by weight in homogenous materials for lead, hexavalent chromium, mercury, PBB, PBDE, DBP, BBP, DEHP, DIBP, and 0.01% for cadmium, or qualify for an exemption to these limits as defined in the Annexes of Directive 2011/65/EU (RoHS2). Finished electrical and electronic equipment products will be CE marked as required by Directive 2011/65/EU. Components may not be CE marked. Additionally, the part numbers that TE has identified as EU ELV compliant have a maximum concentration of 0.1% by weight in homogenous materials for lead, hexavalent chromium, and mercury, and 0.01% for cadmium, or qualify for an exemption to these limits as defined in the Annexes of Directive 2000/53/EC (ELV). Regarding the REACH Regulation, the information TE provides on SVHC in articles for this part number is based on the latest European Chemicals Agency (ECHA) 'Guidance on requirements for substances in articles' posted at this URL: <https://echa.europa.eu/guidance-documents/guidance-on-reach>

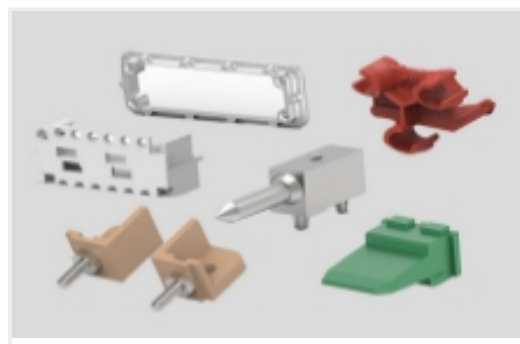
Compatible Parts



Also in the Series | **Power Triple Lock**



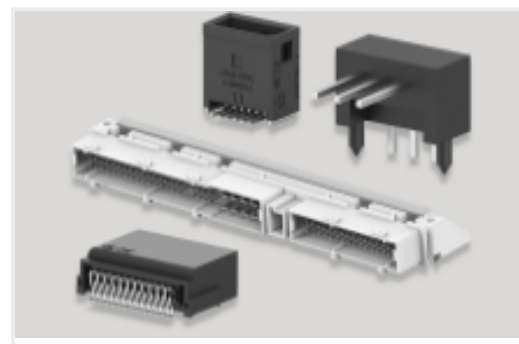
Connector Contacts(26)



Connector Hardware(12)



Insertion & Extraction Tools(1)



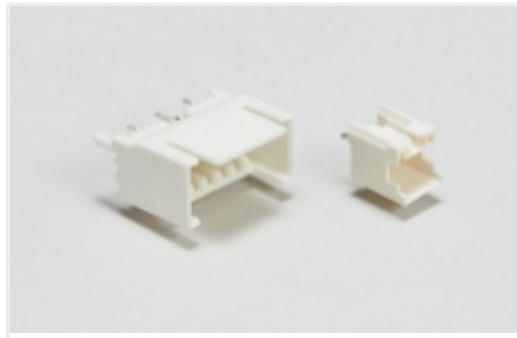
PCB Headers & Receptacles(21)



Power Contacts(26)



Rectangular Power Connectors(301)



Wire-to-Board Headers & Receptacles (21)

Customers Also Bought



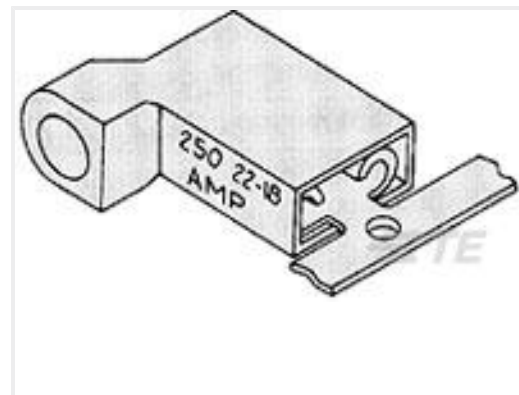
TE Part #ANT-916-CW-RCL
Antenna 1/2 Wave R-Angle 916MHz RPS



TE Part #206037-1
CPC PLUG ASSEMBLY SIZE 17-16



TE Part #3-350980-1
SL156 RECEPTACLE



TE Part #2-520856-2
ULTRA-FAST 250 ASY REC 22-18 TPBR



TE Part #521204-7
RAST 5,HSG,2P,POSILOCK MKIII



TE Part #1-770894-0
10P SL156 HSG W/THRU BD LATCH



TE Part #5-1971772-2
PTL 1X2 CAP PANEL MT HITEMP KEY A LGR



TE Part #1971785-2
PTL RECEPTACLE CONTACT, 20 - 24 AWG



TE Part #1971786-2
PTL TAB CONTACT, 20 - 24 AWG



TE Part #5748678-3
2 PC PLST CBL CLMP KIT

Documents



Product Drawings

PTL TPA HWI 1 X 3 NATURAL

English

CAD Files

3D PDF

3D

Customer View Model

[ENG_CVM_CVM_2-1971777-3_B.2d_dxf.zip](#)

English

Customer View Model

[ENG_CVM_CVM_2-1971777-3_B.3d_igs.zip](#)

English

Customer View Model

[ENG_CVM_CVM_2-1971777-3_B.3d_stp.zip](#)

English

By downloading the CAD file I accept and agree to the [Terms and Conditions](#) of use.

Product Specifications

Application Specification

English