

4

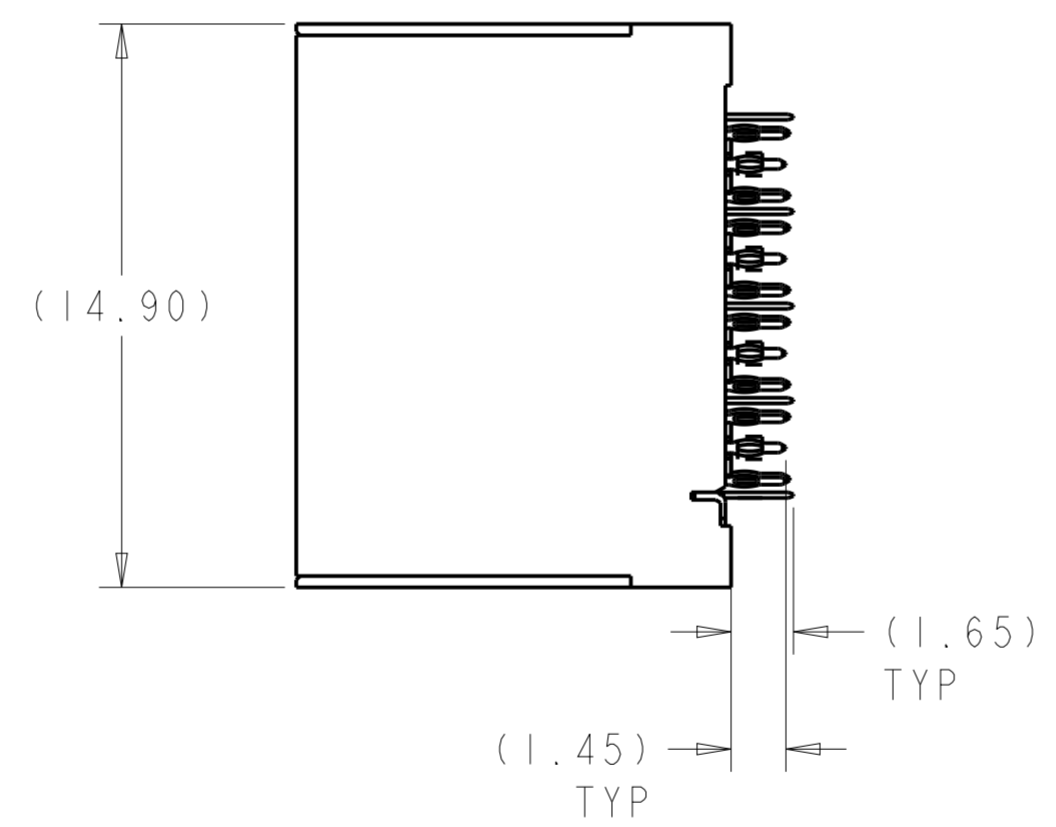
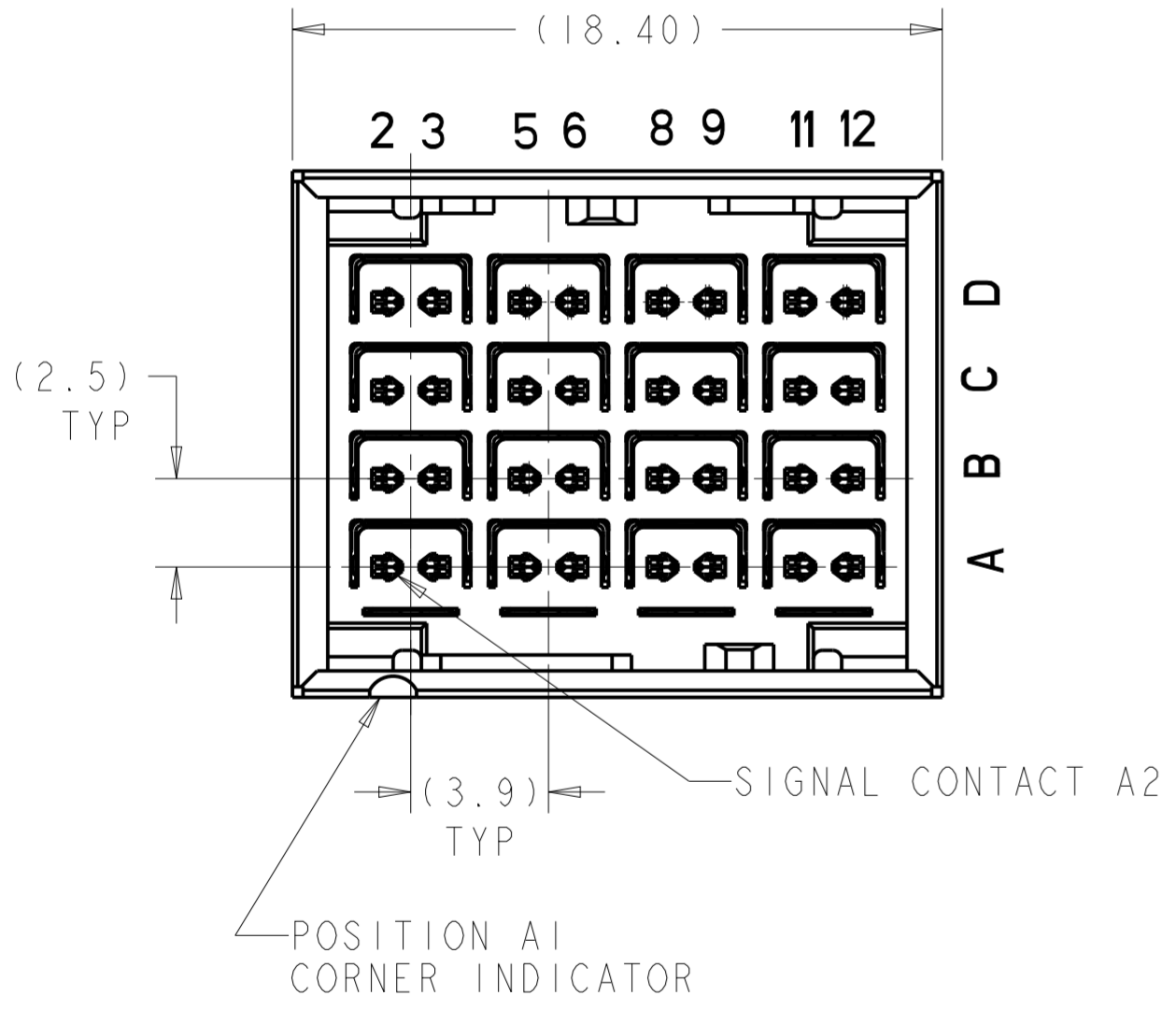
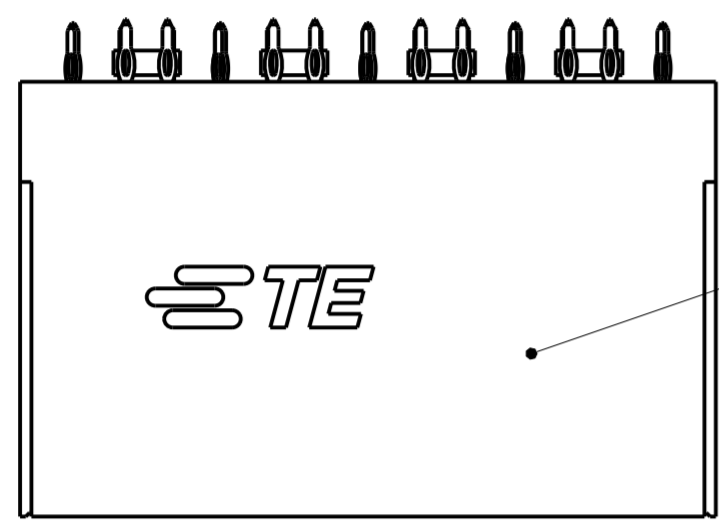
3

2

1

THIS DRAWING IS UNPUBLISHED. RELEASED FOR PUBLICATION 20
 © COPYRIGHT 20 BY - ALL RIGHTS RESERVED.

LOC	DIST	REVISIONS					
GP	00	P	LTR	DESCRIPTION	DATE	DWN	APVD
		A		REVISED PER ECO-21-004565	08APR2021	AP	RP
		B		REVISED PER ECO-21-006113	24MAY2021	AP	RP



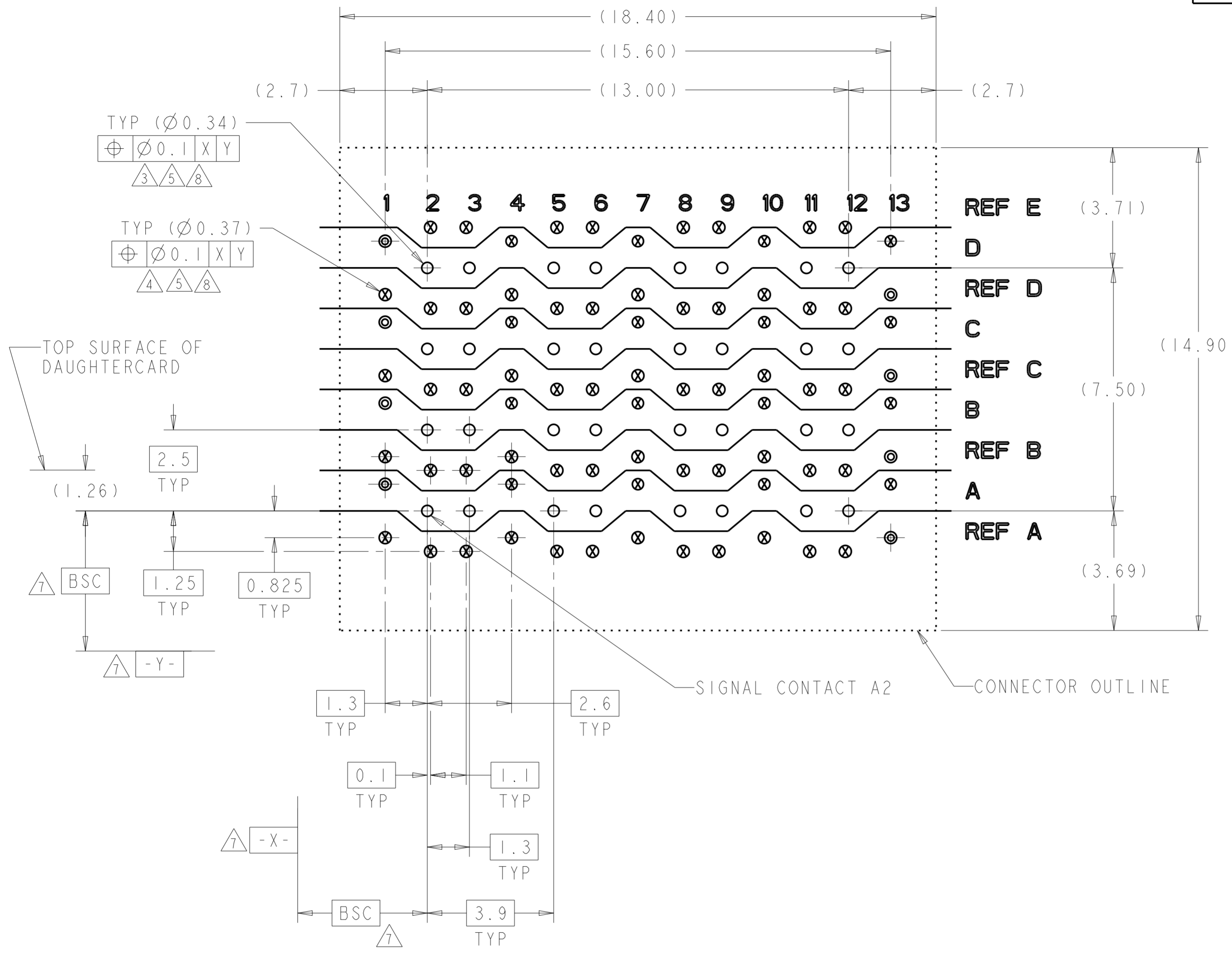
- 1 MATERIAL:
HOUSING: THERMOPLASTIC, UL 94V-0, BLACK
CONTACTS AND SHIELDS: COPPER ALLOY
- 2 FINISH:
- MATING AREA: 1.25µm MIN GOLD OVER 1.25µm MIN NICKEL UNDERPLATE OVER ENTIRE CONTACT
- COMPLIANT PIN AREA: 0.5µm MIN TIN-LEAD.
- 3 SIGNAL PLATED THRU HOLE REQUIREMENTS:
FINISHED HOLE = $\varnothing 0.34 \pm 0.05$
HOLE SIZE PRIOR TO PLATING = $\varnothing 0.420 \pm 0.025$
COPPER THICKNESS = 0.025 MIN
IMMERSION TIN IF APPLICABLE = (0.00095)
- 4 GROUND AND SI VIA PLATED THRU HOLE REQUIREMENTS:
FINISHED HOLE = $\varnothing 0.37 \pm 0.05$
HOLE SIZE PRIOR TO PLATING = $\varnothing 0.450 \pm 0.025$
COPPER THICKNESS = 0.025 MIN
IMMERSION TIN IF APPLICABLE = (0.00095)
- 5 PTH DIMENSIONS APPLY TO THE TOP 1.00mm OF THE PCB THICKNESS FROM THE CONNECTOR MOUNTING SIDE.
- 6 CONNECTOR MARKED WITH PART NUMBER, DATE CODE, AND "92 OHM" IN APPROXIMATE AREA SHOWN.
- 7 DATUMS AND BASIC DIMENSIONS ESTABLISHED BY CUSTOMER.
- 8 APPLIES TO FINISHED HOLE DIAMETER.

2187817-1
PART NO

THIS DRAWING IS A CONTROLLED DOCUMENT.		DWN AJITH. PAI 15FEB2021	TE Connectivity	
DIMENSIONS: mm		CHK R. PATTERSON 15FEB2021		
TOLERANCES UNLESS OTHERWISE SPECIFIED:		APVD R. PATTERSON 15FEB2021	NAME HEADER ASSEMBLY, 4 PAIR 4 COLUMN, DOUBLE END WALL, 92 OHM PAIR-IN-ROW, STRADA WHISPER	
0 PLC ± 1 PLC ± 2 PLC ± 3 PLC ± 4 PLC ± ANGLES ± FINISH ±		PRODUCT SPEC 108-32021	SIZE A2	CAGE CODE 00779
MATERIAL 1 -		APPLICATION SPEC 114-32029	DRAWING NO C-2187817	RESTRICTED TO -
2 -		WEIGHT -	SCALE 5:1	SHEET 1 OF 2
CUSTOMER DRAWING		REV B		

THIS DRAWING IS UNPUBLISHED. RELEASED FOR PUBLICATION 20
 © COPYRIGHT 20 BY - ALL RIGHTS RESERVED.

LOC	DIST	REVISIONS					
GP	00	P	LTR	DESCRIPTION	DATE	DWN	APVD
		-		SEE SHEET 1			



RECOMMENDED BACKPLANE (NON-STACKING) PCB LAYOUT,
 COMPONENT SIDE SHOWN
 SCALE 10:1

- = SIGNAL
- ⊗ = GROUND
- ⊙ = SIGNAL INTEGRITY VIA TO GROUND

THIS DRAWING IS A CONTROLLED DOCUMENT.		DWN J. McCLINTON 08AUG2017	 TE Connectivity	NAME HEADER ASSEMBLY, 4 PAIR 4 COLUMN, DOUBLE END WALL, 92 OHM PAIR-IN-ROW, STRADA WHISPER	
DIMENSIONS: mm		CHK D. SHIRK 08AUG2017		PRODUCT SPEC	
TOLERANCES UNLESS OTHERWISE SPECIFIED: 0 PLC ± 1 PLC ± 2 PLC ± 3 PLC ± 4 PLC ± ANGLES ± FINISH		APVD D. SHIRK 08AUG2017		APPLICATION SPEC	
MATERIAL		WEIGHT		RESTRICTED TO	
		CUSTOMER DRAWING	SCALE 5:1	SHEET 2 OF 2	REV B