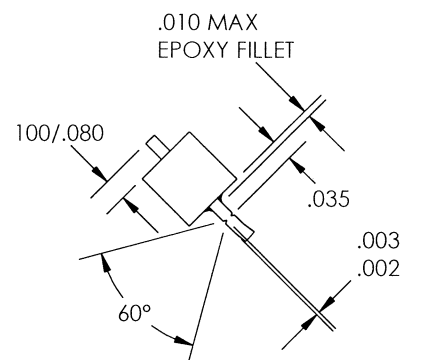
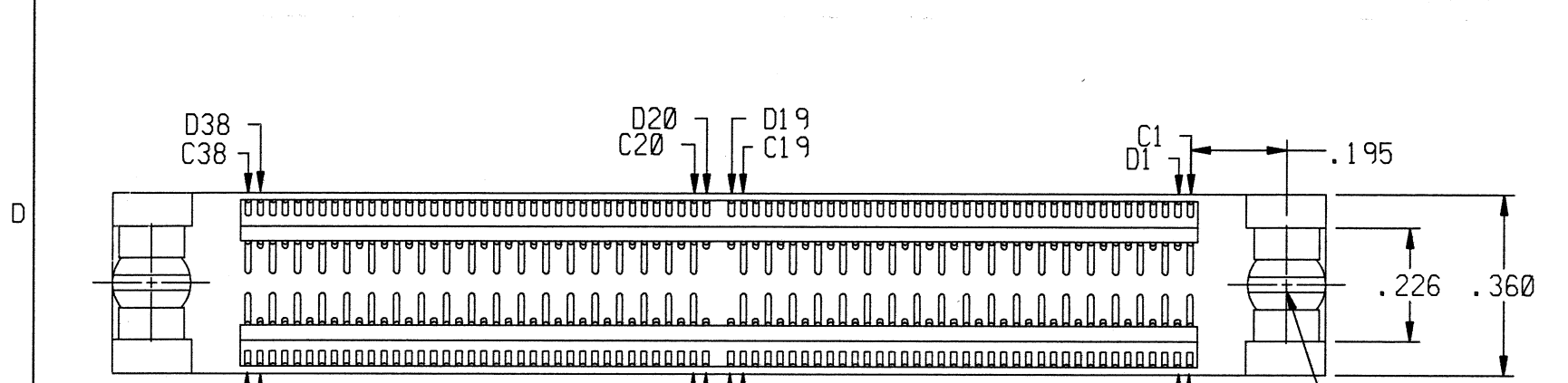
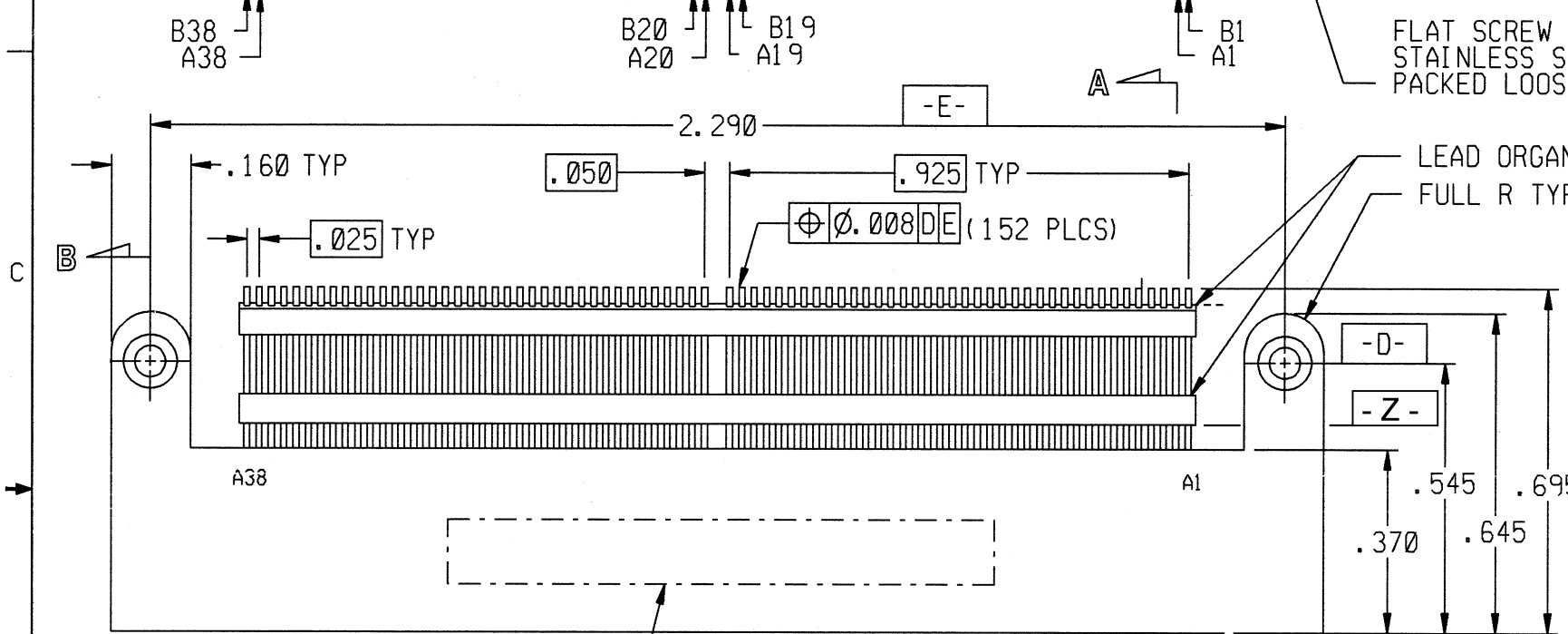


REVISION					
ZONE	LTR	ECN	DESCRIPTION	DATE	APPROVED
	A	39959	NEW RELEASE	2/17/00	MC
	B	42132	UPDATE REV. LETTER	1/23/04	T
	C	43778	UPDATE REV LETTER.	10/15/08	TL
	D	43890	ADD LEAD & BREAKAWY NOTCH DETAIL. ADD NOTE 4. UPDATE NOTE 2.	4/20/09	TL



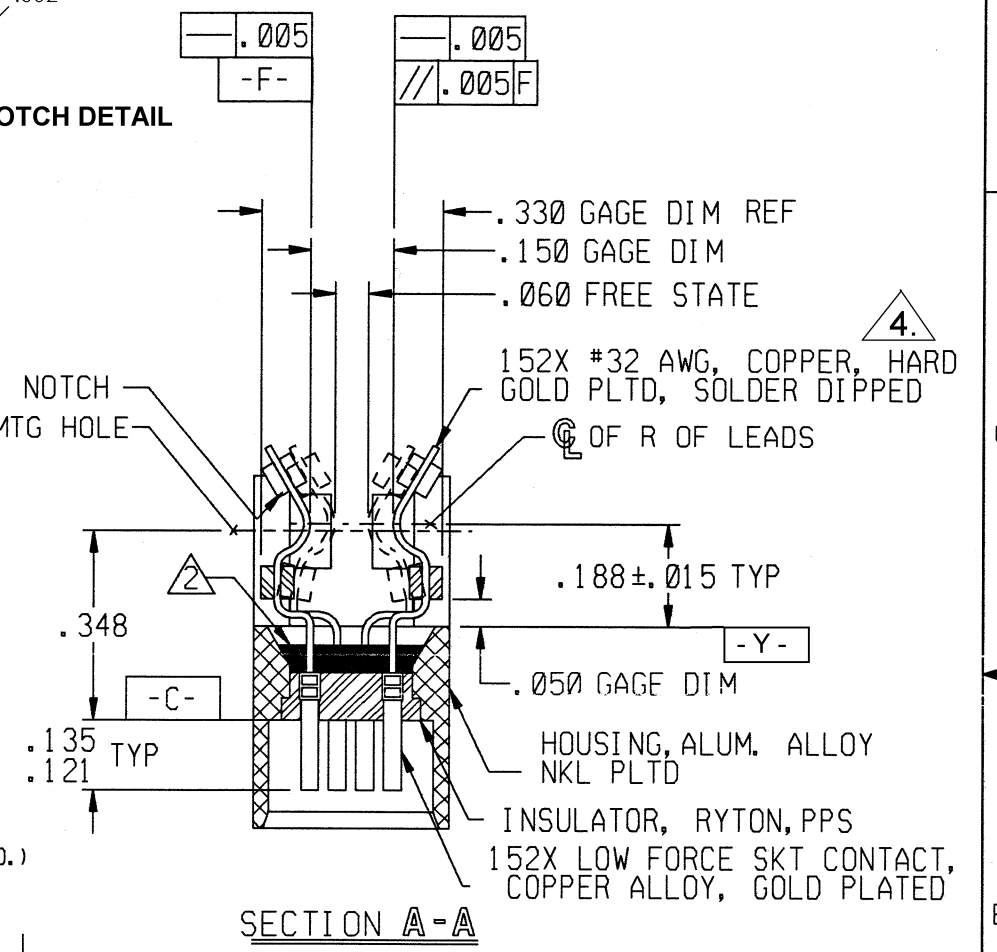
LEAD & BREAKAWY NOTCH DETAIL



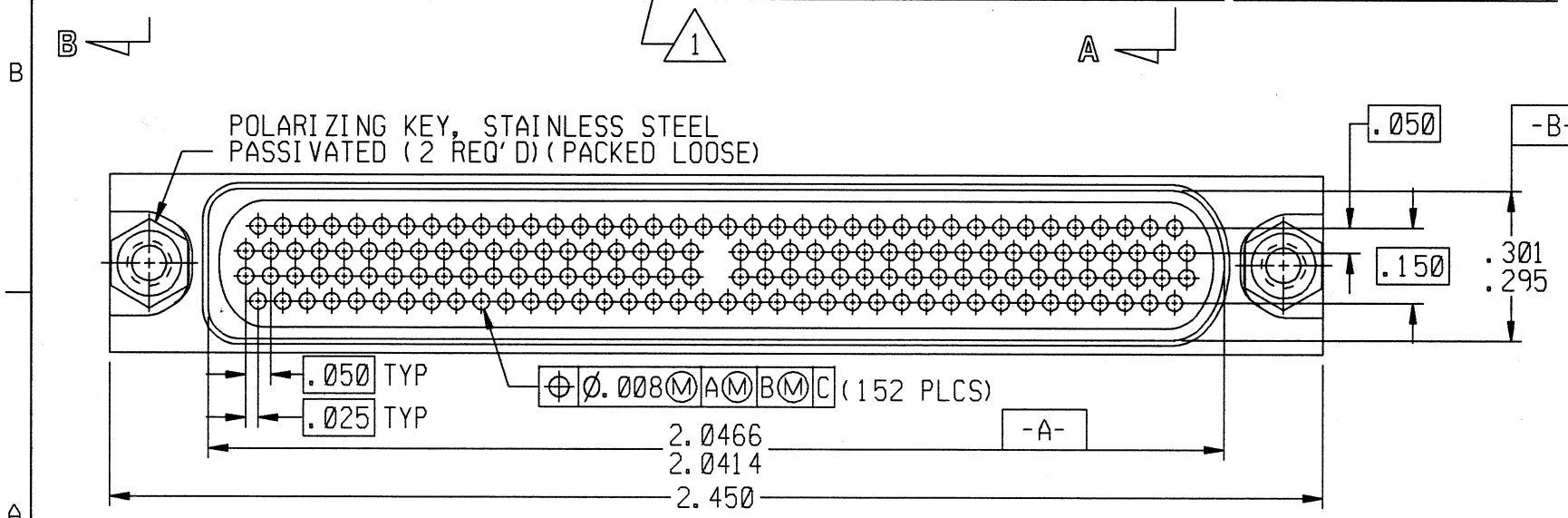
FLAT SCREW (2-56 UNC-2A THD)
STAINLESS STEEL, PASSIVATED
PACKED LOOSE (2 REQ'D)

LEAD ORGANIZER, RYTON, PPS
FULL R TYP

'BREAK AWAY' NOTCH
C OF MTG HOLE

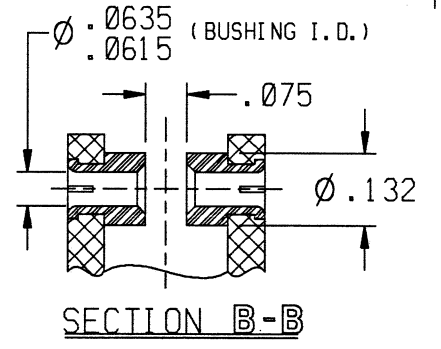


SECTION A-A



POLARIZING KEY, STAINLESS STEEL
PASSIVATED (2 REQ'D) (PACKED LOOSE)

Ø .008 (M) A (M) B (M) C (152 PLCS)



SECTION B-B

NOTES: UNLESS OTHERWISE SPECIFIED

- 1. MARK PER TPD.
- 2. EPOXY AS SHOWN WITH P/N: 1325344 -3 AND/OR 1325344-2. EPOXY TO BE .025 MIN. BELOW DATUM -Y-
- 3. CRIMP LEADS INTO CONTACTS PER MEP302-05.
- 4. NO SOLDER ON LEADS REQUIRED BELOW DATUM -Z-
- 5. LEAD ORGANIZERS TO BONDED IN PLACE WITH A BEAD OF EPOXY (1325708-1).

UNLESS OTHERWISE SPECIFIED DIMENSIONS ARE IN INCHES. TOLERANCE ARE: FRACTIONS DECIMALS ANGLES ± 1/8 .XX ± .01 ± 2° .XXX ± .005	APPROVALS		MICRODOT CONNECTORS A DIVISION OF UNI-STAR INDUSTRIES INC. 306 PASADENA AVE., SO. PASADENA, CA 91030	PROD CODE 832		
	SIGNATURE	DATE			CONN. HD5M, RCPT, 152 SKT HD5M4-152SLZ-2 MDC: 095-9092-1093 SICON	
	DRAWN BY MEL F. CAMPOS	02/17/00				CODE CDM
	P.E. <i>Mel Campos</i>	2/17/00				
MATERIAL:	THIS DOCUMENT IS THE PROPERTY OF MICRODOT CONNECTORS, A DIVISION OF UNI-STAR INDUSTRIES INC. USE OF THIS DOCUMENT OR ANY PART THEREOF IS STRICTLY FORBIDDEN WITHOUT THE EXPRESS WRITTEN PERMISSION OF MICRODOT CONNECTORS, A DIVISION OF UNI-STAR INDUSTRIES INC.		SIZE CODE IDENT NO. DRAWING NO. B 98278 2-1532025-2			
FINISH:	SCALE: NONE		SHEET 1 OF 1			