

[All High-Voltage Header \(3\)](#)

Product Compliance

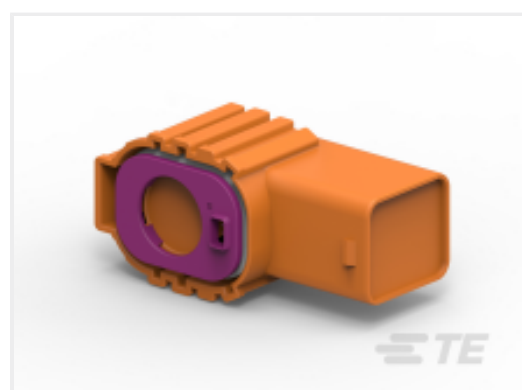
[For compliance documentation, visit the product page on TE.com>](#)

EU RoHS Directive 2011/65/EU	Compliant with Exemptions
EU ELV Directive 2000/53/EC	Compliant with Exemptions
China RoHS 2 Directive MIIT Order No 32, 2016	Restricted Materials Above Threshold
EU REACH Regulation (EC) No. 1907/2006	Current ECHA Candidate List: JAN 2025 (247) Candidate List Declared Against: JAN 2025 (247) SVHC > Threshold: Pb (3.5% in 3441353) <small>Article Safe Usage Statements: Do not eat, drink or smoke when using this product. Wash thoroughly after handling. Recycle if possible and dispose of the article by following all applicable governmental regulations relevant to your geographic location.</small>
Halogen Content	Low Halogen - Br, Cl, F, I < 900 ppm per homogenous material. Also BFR/CFR/PVC Free
Solder Process Capability	Not reviewed for solder process capability

Product Compliance Disclaimer

This information is provided based on reasonable inquiry of our suppliers and represents our current actual knowledge based on the information they provided. This information is subject to change. The part numbers that TE has identified as EU RoHS compliant have a maximum concentration of 0.1% by weight in homogenous materials for lead, hexavalent chromium, mercury, PBB, PBDE, DBP, BBP, DEHP, DIBP, and 0.01% for cadmium, or qualify for an exemption to these limits as defined in the Annexes of Directive 2011/65/EU (RoHS2). Finished electrical and electronic equipment products will be CE marked as required by Directive 2011/65/EU. Components may not be CE marked. Additionally, the part numbers that TE has identified as EU ELV compliant have a maximum concentration of 0.1% by weight in homogenous materials for lead, hexavalent chromium, and mercury, and 0.01% for cadmium, or qualify for an exemption to these limits as defined in the Annexes of Directive 2000/53/EC (ELV). Regarding the REACH Regulation, the information TE provides on SVHC in articles for this part number is based on the latest European Chemicals Agency (ECHA) 'Guidance on requirements for substances in articles' posted at this URL: <https://echa.europa.eu/guidance-documents/guidance-on-reach>

Compatible Parts



TE Part # 2137704-1
HVP1100 1POS PLUG HSG ASSY SLD
90 DEG



TE Part # YHVP1100-1P-90-A-0
HVP1100-1phi XE,90,Key A



TE Part # 2137715-3
11MM HV, TERMINAL ASSY 90DEG

Customers Also Bought



TE Part # 1-1564407-1
16POS, MIXED, TAB HSG, ASSY, CODA



TE Part # 2071556-3
OJS-SH-112HEF, 00000



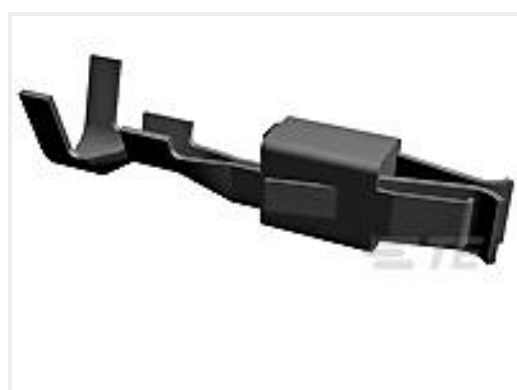
TE Part # 2176247-9
TJT 150W 22R 5%



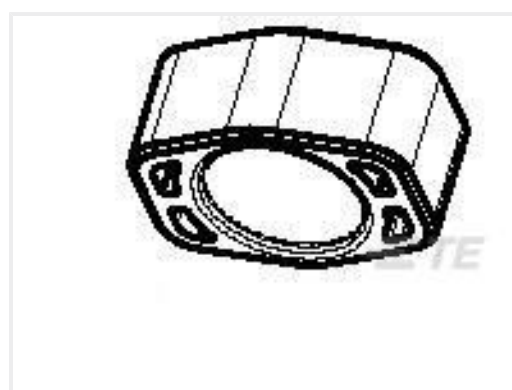
TE Part # 2-2287720-1
PICO MQS, TERMINAL



TE Part # 2404687-1
PICO 22P REC HSG



TE Part # 929938-1
JPT REC 2.8 Contact SWS Sn (LP)



TE Part # 1587735-1
SPACER, SIZE A, HVA280-3PM



TE Part # 1587826-3
CABLE SEAL, SIZE C, HVA280-2PI



TE Part # 2137715-3
11MM HV, TERMINAL ASSY 90DEG



TE Part # 2-2365225-1
2POS, PCON21, REC INNER HSG, SLD,
180DEG

Documents

[CAD Files](#)

[3D PDF](#)

[3D](#)

[Customer View Model](#)

[ENG_CVM_CVM_2137740-1_C.2d_dxf.zip](#)



English

Customer View Model

[ENG_CVM_CVM_2137740-1_C.3d_igs.zip](#)

English

Customer View Model

[ENG_CVM_CVM_2137740-1_C.3d_stp.zip](#)

English

By downloading the CAD file I accept and agree to the [Terms and Conditions](#) of use.

Product Specifications

[Application Specification](#)

English