



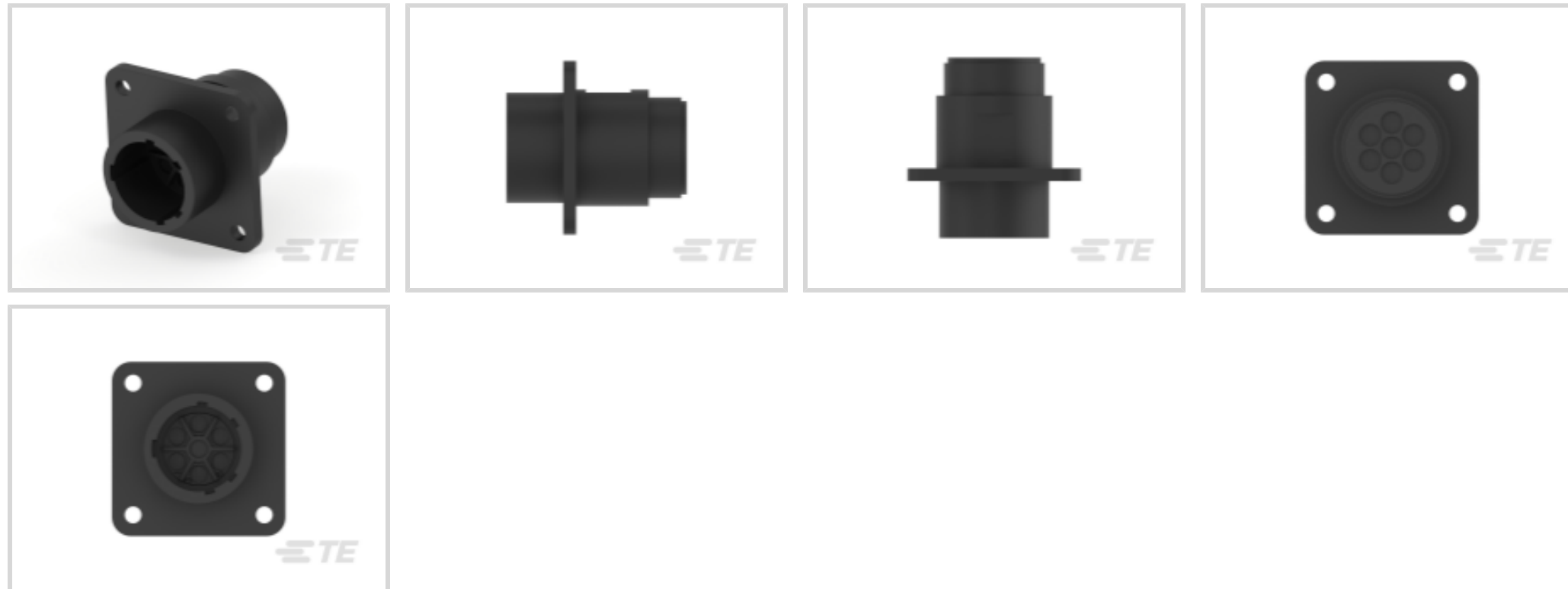
AMP | Circular Plastic Connectors Series 1, AMP Circular Plastic Connectors

TE Internal #: 211401-8

7 Position Circular Power Connector, Housing, 600 VDC, Wire-to-Wire, Wire & Cable, Receptacle, Pin, Power & Signal, AMP Circular Plastic Connectors

[View on TE.com >](#)

Connectors > Power Connectors > Circular Power > Circular Power Connectors



Connector Product Type: **Housing**

Operating Voltage: **600 VDC**

Connector System: **Wire-to-Wire**

Number of Positions: **7**

Sealable: **No**

**Features**

**Product Type Features**

Connector Product Type	Housing
Connector System	Wire-to-Wire
Sealable	No
Connector & Contact Terminates To	Wire & Cable
Connector & Housing Type	Receptacle
Circular Connector Shell Type	All Plastic

**Configuration Features**

Reverse Numbering	Without
Number of Positions	7
Number of Power Positions	0
Number of Signal Positions	7

**Electrical Characteristics**

Operating Voltage	600 VAC
-------------------	---------

**Contact Features**



Reverse Gender	No
Contact Type	Pin
Contact Protection	With

### Mechanical Attachment

Mating Retention Type	Threaded Coupling
Thread Size	3/4 - 20 UNEF-2A
Polarization Code	A
Panel Mount Feature Type	Flange with Mounting Holes
Mating Alignment Type	Keyed
Mating Alignment	With
Connector Mounting Type	Panel Mount
Mating Retention	With
Panel Mount Feature	With

### Housing Features

Body Orientation	Straight
Housing Color	Black
Housing Material	Nylon, Thermoplastic
Circular Connector Shell Size	13

### Usage Conditions

Operating Temperature Range	-55 – 105 °C[-67 – 221 °F]
Fluid Resistance	None

### Operation/Application

Circuit Application	Power & Signal
Shielded	No

### Industry Standards

Compatible With Agency/Standards Products	VDE
UL Flammability Rating	UL 94V-0

### Packaging Features

Packaging Quantity	1
Packaging Method	Package

### Product Compliance



[For compliance documentation, visit the product page on TE.com>](#)

EU RoHS Directive 2011/65/EU	Compliant
EU ELV Directive 2000/53/EC	Compliant
China RoHS 2 Directive MIIT Order No 32, 2016	No Restricted Materials Above Threshold
EU REACH Regulation (EC) No. 1907/2006	Current ECHA Candidate List: JAN 2025 (247) Candidate List Declared Against: JAN 2025 (247) Does not contain REACH SVHC
Halogen Content	BFR/CFR/PVC Free, but Br/Cl >900 ppm in other sources.
Solder Process Capability	Not reviewed for solder process capability

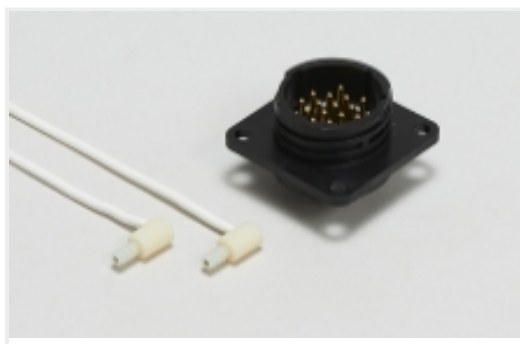
Product Compliance Disclaimer

This information is provided based on reasonable inquiry of our suppliers and represents our current actual knowledge based on the information they provided. This information is subject to change. The part numbers that TE has identified as EU RoHS compliant have a maximum concentration of 0.1% by weight in homogenous materials for lead, hexavalent chromium, mercury, PBB, PBDE, DBP, BBP, DEHP, DIBP, and 0.01% for cadmium, or qualify for an exemption to these limits as defined in the Annexes of Directive 2011/65/EU (RoHS2). Finished electrical and electronic equipment products will be CE marked as required by Directive 2011/65/EU. Components may not be CE marked. Additionally, the part numbers that TE has identified as EU ELV compliant have a maximum concentration of 0.1% by weight in homogenous materials for lead, hexavalent chromium, and mercury, and 0.01% for cadmium, or qualify for an exemption to these limits as defined in the Annexes of Directive 2000/53/EC (ELV). Regarding the REACH Regulation, the information TE provides on SVHC in articles for this part number is based on the latest European Chemicals Agency (ECHA) 'Guidance on requirements for substances in articles' posted at this URL: <https://echa.europa.eu/guidance-documents/guidance-on-reach>

## Compatible Parts



Also in the Series | [AMP Circular Plastic Connectors](#)



Circular Power Connectors(211)



Connector Backshells(1)



Connector Caps & Covers(16)



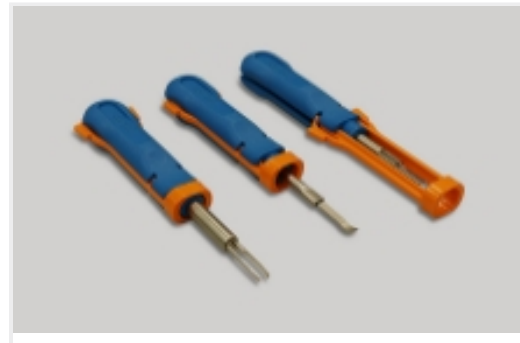
Connector Hardware(10)



Connector Seals & Cavity Plugs(35)



Connector Strain Relief(60)



Insertion & Extraction Tools(1)

Also in the Series | **Circular Plastic Connectors Series 1**



Circular Power Connectors(211)



Connector Contacts(260)



Power Contacts(260)

Customers Also Bought



TE Part #1SNG613010R0000  
EM-EMC2-M25-MET-C



TE Part #YHV280-2PM-S-4MM-B  
HVA280-2PHM,SHUNTED,4SQMM,  
KEY B



TE Part #DT06-08SB-C017  
PLG, 8P, BLK, BLOCKED, B



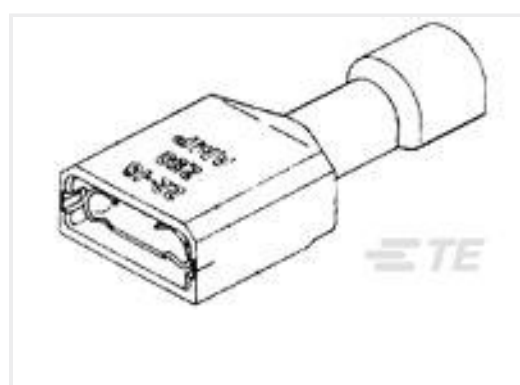
TE Part #211399-1  
CPC PLUG ASSEMBLY SIZE 13-7



TE Part #280755-4  
FF 375 REC 6-10MM2 TPPB



TE Part #284159-1  
12 POS. 070 RCPT.HSG. & SEC.LO



TE Part #3-520140-2  
ULTRA-FAST 250 ASY REC 16-14 AWG  
TPBR



TE Part #8-968975-1  
MCP2.8 GEH 21P



## Documents

### Product Drawings

[RECEPT,SZ 13-7,CPC](#)

English

### CAD Files

[3D PDF](#)

3D

Customer View Model

[ENG\\_CVM\\_CVM\\_211401-8\\_AE.2d\\_dxf.zip](#)

English

Customer View Model

[ENG\\_CVM\\_CVM\\_211401-8\\_AE.3d\\_igs.zip](#)

English

Customer View Model

[ENG\\_CVM\\_CVM\\_211401-8\\_AE.3d\\_stp.zip](#)

English

By downloading the CAD file I accept and agree to the [Terms and Conditions](#) of use.

### Product Specifications

[Circular Plastic Connector With Type III+ Contacts](#)

English

[Engineering Report](#)

English

### Instruction Sheets

[Instruction Sheet \(U.S.\)](#)

English

[Instruction Sheet \(U.S.\)](#)

English

### Agency Approvals

[CSA Certificate](#)

English