

4

3

2

1

THIS DRAWING IS UNPUBLISHED.

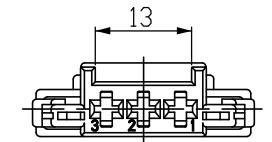
RELEASED FOR PUBLICATION

© COPYRIGHT 19

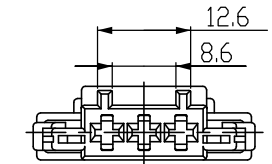
ALL RIGHTS RESERVED.

LOC	DIST	REVISIONS			
P	LTR	DESCRIPTION	DATE	DWN	APVD
DS	-	A	RELEASED	23.FEB'11	IS HG

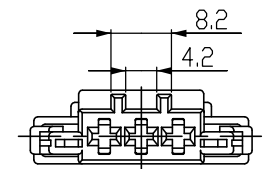
CODING
SCLAE 1:1



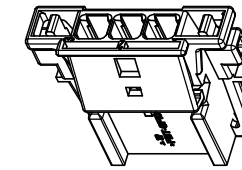
CODE "A"



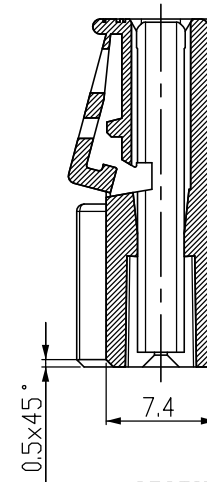
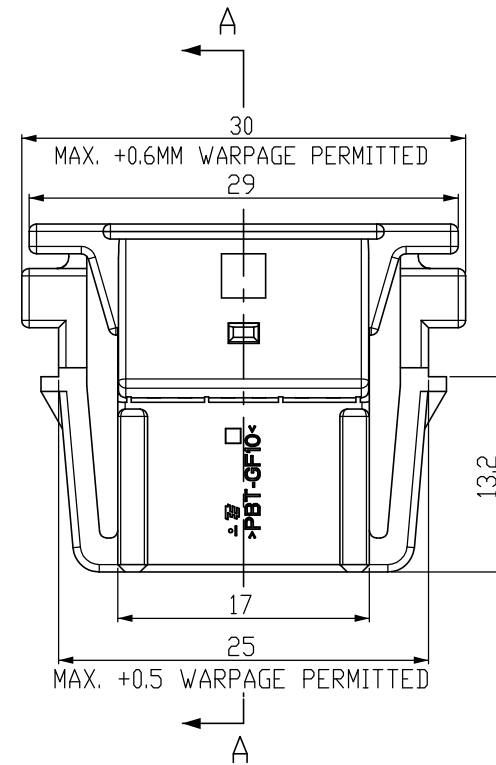
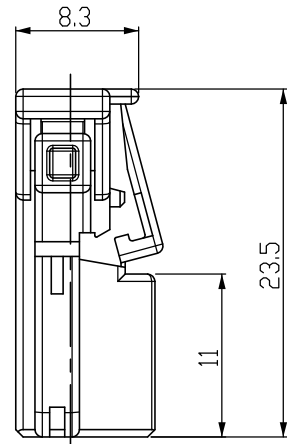
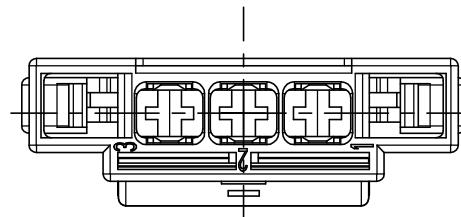
CODE "B"



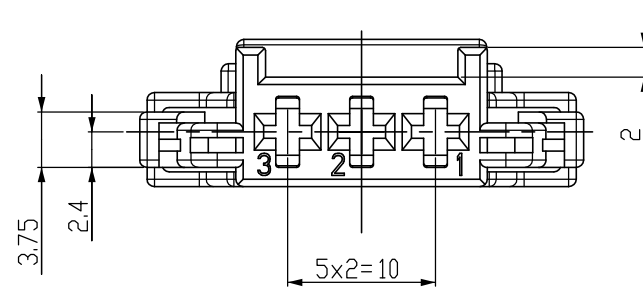
CODE "C"



3D VIEW
SCALE 1:1



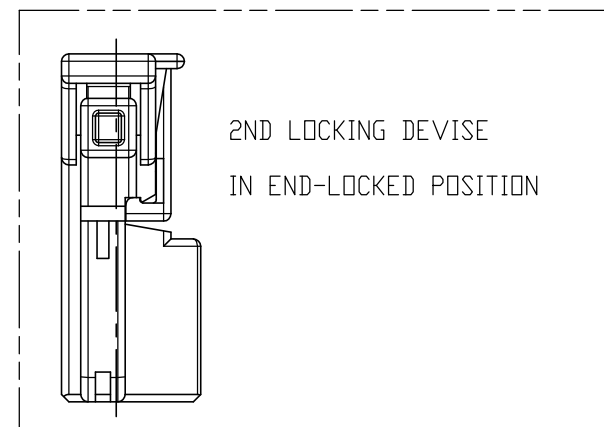
SECTION A-A



NOTE

- GENERAL TOLERANCES: ±0.3, ±1°
- CAVITY ACCORDING TO TE MCP 2.8MM CONTACT STANDARD
TE DRAWING NO: 1355036
MAX. WIRE SIZE RANGE 2.5MM FLR PERMITTED
- ACCORDING TO INTERFACE DRAWING
TE SPEC NO: 114-18085-010, SHEET 3 OF 5

"A"	BLACK	PBT-GF10	PLUG HSG	2109032-2
CODE	COLOR	MATERIAL	DESCRIPTION	P/N



2ND LOCKING DEVICE
IN END-LOCKED POSITION

THIS DRAWING IS A CONTROLLED DOCUMENT.		DWN	IS WOO		
DIMENSIONS: mm		CHK	KT LIM		
TOLERANCES UNLESS OTHERWISE SPECIFIED:		APVD	HG CHO		
0 PLC ±-		PRODUCT SPEC	-		
1 PLC ±0.5		APPLICATION SPEC	-		
2 PLC ±0.13		WEIGHT	-		
3 PLC ±0.013		SIZE	A3	CAGE CODE	00779
4 PLC ±0.0001		DRAWING NO	C-2109032		
ANGLES ±		RESTRICTED TO	-		
MATERIAL	FINISH	SCALE	2:1		SHEET 1 OF 1
-		CUSTOMER DRAWING	REV		A



MCP 2.8MM 3P PLUG HSG