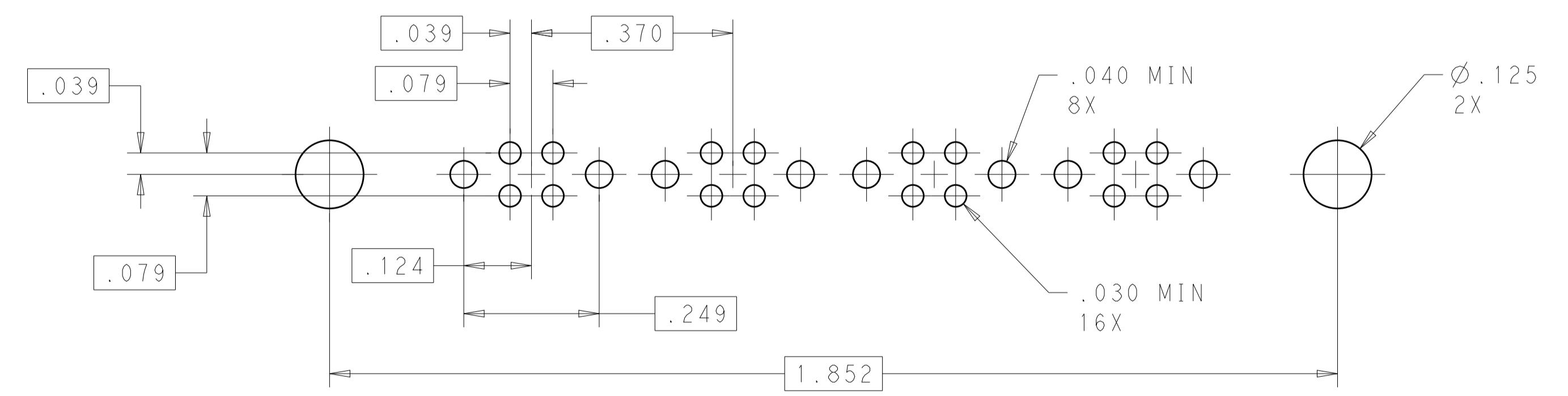
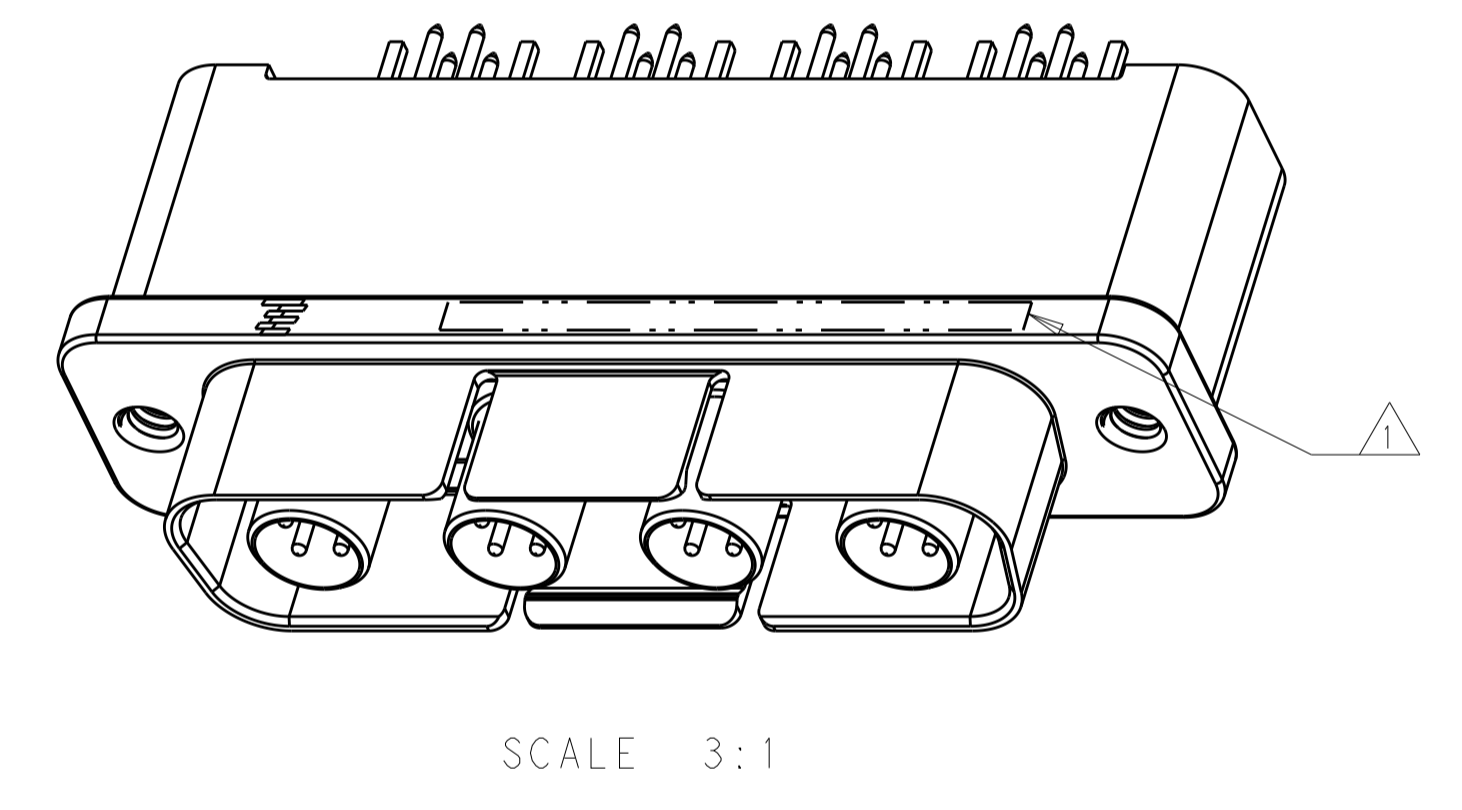
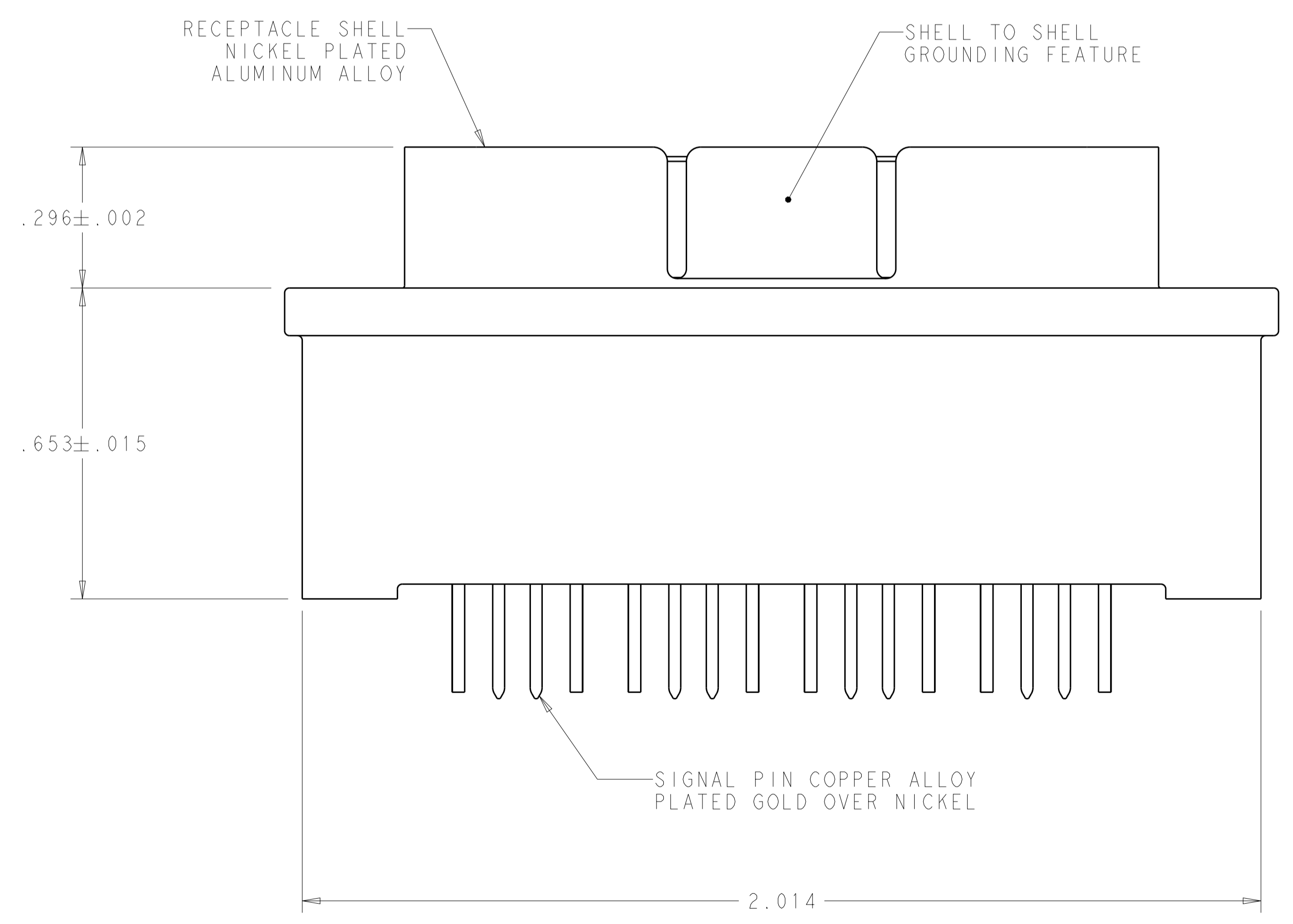
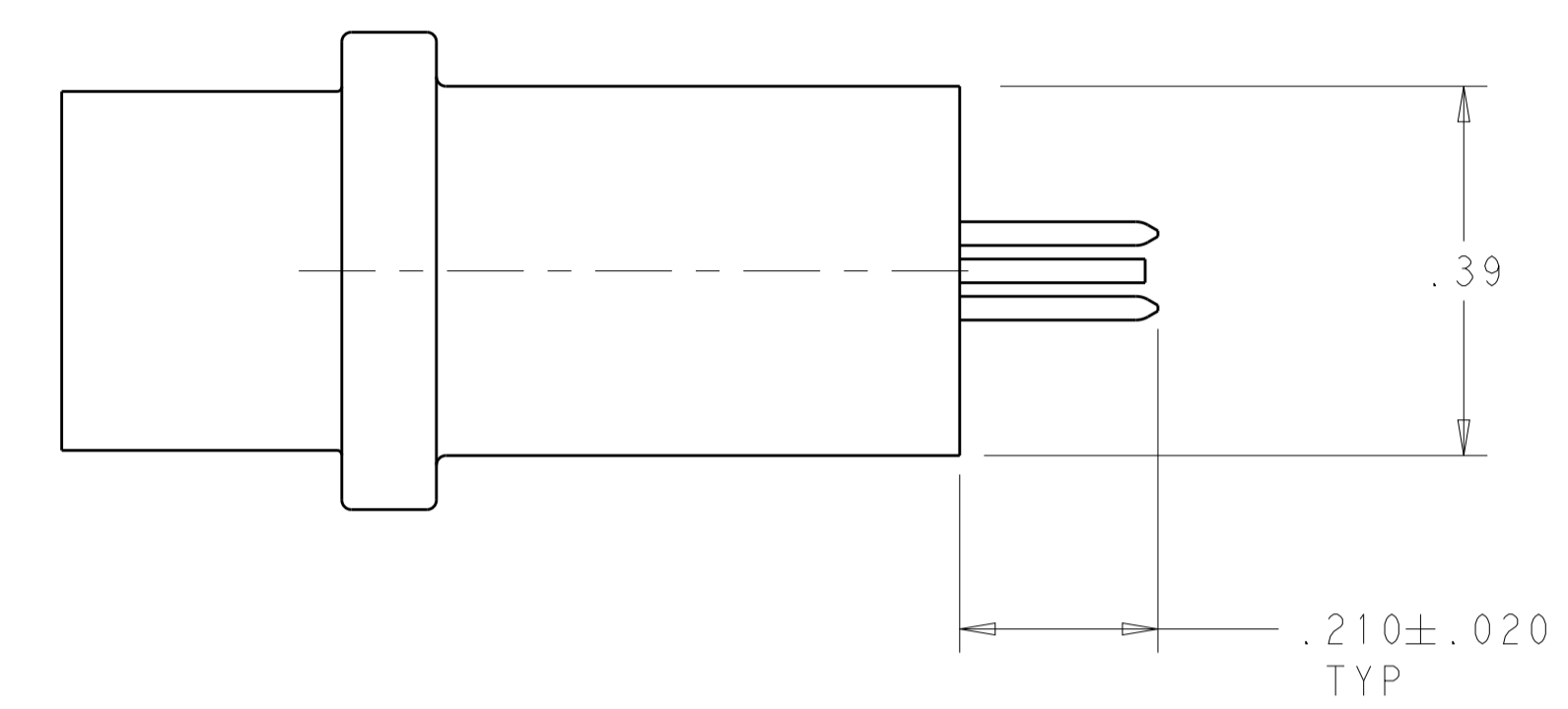
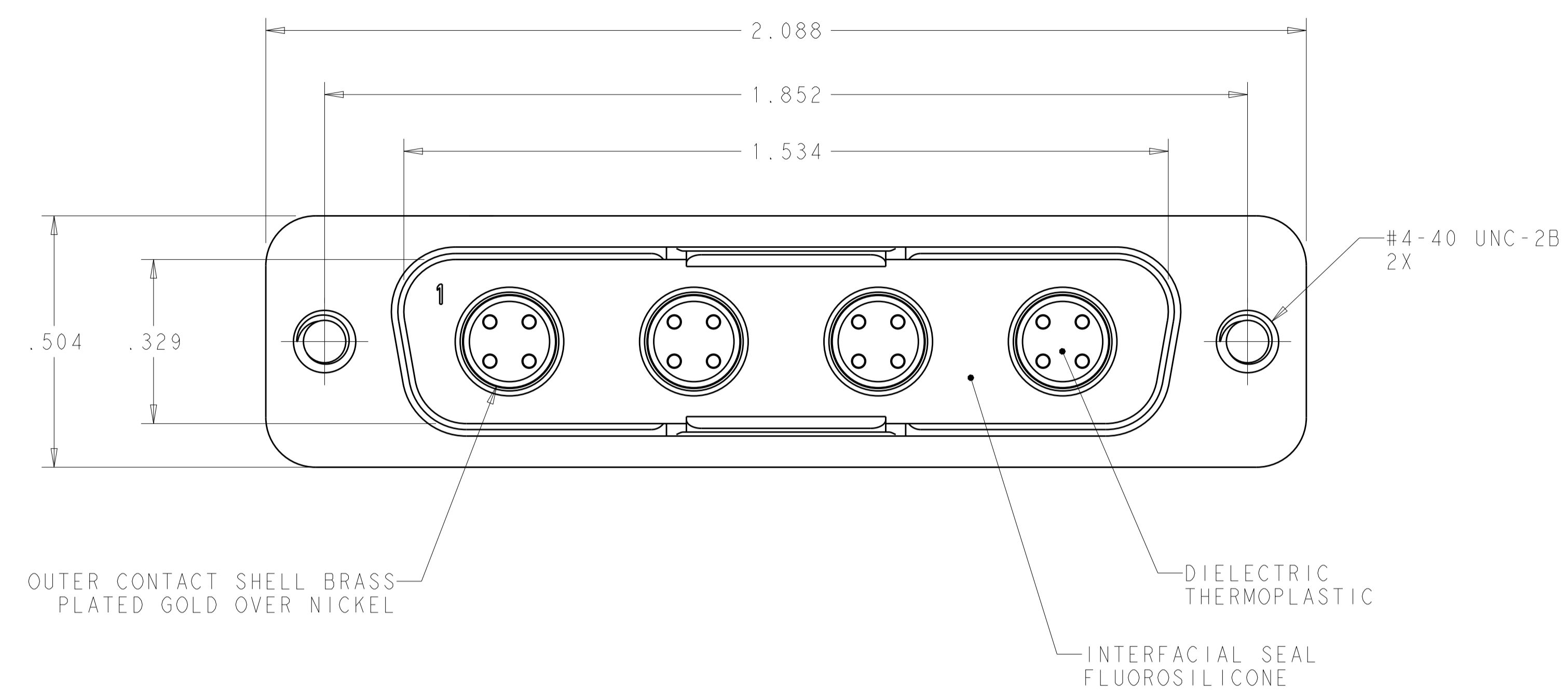


LOC		DIST		REVISIONS			
P	LTN	DESCRIPTION	DATE	DMN	APVD		
A		RELEASED PER ECO 15-013368	9-28-15	CT	DM		

△ CONNECTOR IS MARKED WITH TE PART NUMBER, TE LOGO, CAGE CODE AND DATE CODE, IN APPROXIMATE AREA SHOWN
 2. OPERATING TEMPERATURE RANGE -65°C TO 125°C (-85°F TO 257°F)



RECOMMENDED PRINTED CIRCUIT BOARD LAYOUT

2102995-1
 PART NUMBER

THIS DRAWING IS A CONTROLLED DOCUMENT.		DMN D. BROCKWAY 05APR2012	TE Connectivity
DIMENSIONS: INCHES		CHK D. MILLER 9-28-15	
TOLERANCES UNLESS OTHERWISE SPECIFIED:		APVD D. MILLER 9-28-15	NAME RECEPTACLE ASSEMBLY, VERTICAL QUADRAx, PCB MOUNT, FR/FR SIZE 3, 4 POSITION
0 PLC ±. 1 PLC ±.01 2 PLC ±.01 3 PLC ±.005 4 PLC ±. ANGLES ±. FINISH SEE CALL OUTS		PRODUCT SPEC	
MATERIAL SEE CALL OUTS		APPLICATION SPEC	RESTRICTED TO
		114-13233	SIZE CAGE CODE DRAWING NO
		WEIGHT	A100779C=2102995
		Customer Drawing	SCALE 5:1 SHEET 1 OF 1 REV A