



Generation 50

TE Internal #: 2098583-4

Receptacle Terminal, 26 AWG, .13 mm² Wire, .5 mm [.02 in] Tab Width, Tin (Sn), Unsealed, Terminates To Wire, Generation 50

[View on TE.com >](#)

Automotive Parts > Automotive Terminals



Terminal Type: **Receptacle**

Wire Size: **26 AWG**

Mating Tab Width: **.5 mm [.02 in]**

Interface Plating: **Tin (Sn)**

Features

Product Type Features

Primary Locking Feature	Clean Body
Sealable	No

Body Features

Terminal Seal Type	Unsealed
--------------------	----------

Contact Features

Crimp Type	F-Crimp
Contact Size	.5mm
Contact Fabrication	Stamped & Formed
Wire Contact Termination Area Plating Material	Tin
Terminal Type	Receptacle
Mating Tab Width	.5 mm [.02 in]
Interface Plating	Tin (Sn)

Termination Features

Termination Method to Wire & Cable	Crimp
Product Terminates To	Wire



Dimensions

Compatible Insulation Diameter Range	1.1 – 1.4 mm [.043 – .055 in]
Wire Size	26 AWG
Wire Size Search	.13 mm ²
Tab Length	12.9 mm [.51 in]

Usage Conditions

Insulation Option	Uninsulated
-------------------	-------------

Operation/Application

Compatible With Wire Base Material	Copper
------------------------------------	--------

Industry Standards

Compatible With Agency/Standards Products	USCAR-21
---	----------

Packaging Features

Packaging Method	Reel
Packaging Quantity	20000

Other

Terminal Transmits	0 – 24 A (Low Power)
--------------------	----------------------

Product Compliance

[For compliance documentation, visit the product page on TE.com>](#)

EU RoHS Directive 2011/65/EU	Compliant
EU ELV Directive 2000/53/EC	Compliant
China RoHS 2 Directive MIIT Order No 32, 2016	No Restricted Materials Above Threshold
EU REACH Regulation (EC) No. 1907/2006	Current ECHA Candidate List: JAN 2025 (247) Candidate List Declared Against: JAN 2025 (247) Does not contain REACH SVHC
Halogen Content	Low Halogen - Br, Cl, F, I < 900 ppm per homogenous material. Also BFR/CFR/PVC Free
Solder Process Capability	Not applicable for solder process capability

Product Compliance Disclaimer

This information is provided based on reasonable inquiry of our suppliers and represents our current actual knowledge based on the information they provided. This information is subject to change. The part numbers that TE has identified as EU RoHS compliant have a maximum concentration of 0.1% by weight in homogenous materials for lead, hexavalent

chromium, mercury, PBB, PBDE, DBP, BBP, DEHP, DIBP, and 0.01% for cadmium, or qualify for an exemption to these limits as defined in the Annexes of Directive 2011/65/EU (RoHS2). Finished electrical and electronic equipment products will be CE marked as required by Directive 2011/65/EU. Components may not be CE marked. Additionally, the part numbers that TE has identified as EU ELV compliant have a maximum concentration of 0.1% by weight in homogenous materials for lead, hexavalent chromium, and mercury, and 0.01% for cadmium, or qualify for an exemption to these limits as defined in the Annexes of Directive 2000/53/EC (ELV). Regarding the REACH Regulation, the information TE provides on SVHC in articles for this part number is based on the latest European Chemicals Agency (ECHA) 'Guidance on requirements for substances in articles' posted at this URL: <https://echa.europa.eu/guidance-documents/guidance-on-reach>

Compatible Parts



TE Part # 2272919-3
HEADER ASSY, 8 POS



TE Part # 2272400-3
4POS,0.5X0.4,TAB HSG ASSY,UNSLD, COD C



TE Part # 2272400-1
4POS,0.5X0.4,TAB HSG ASSY,UNSLD, COD A



TE Part # 2291330-1
HEADER ASSY, 2 P, SIDE LATCH, GEN 50



TE Part # CAT-A12-CH8172
0.50 CONNECTOR SYSTEM, CONNECTOR HOUSING



TE Part # 2291330-2
HEADER ASSEMBLY, 2P SIDE LATCH



TE Part # 2098583-2
Contact, 50 Series, fem, 0.35-



TE Part # 2203881-1
16POS,HYBRID,HEADER ASSY,90 DEG,SMD



TE Part # 2272388-3
HEADER ASSY, 16 POS



TE Part # 2272919-2
HEADER ASSY, 8 POS



TE Part # 2291989-1
HEADER ASSY, 24 POS



TE Part # 2291989-3
HEADER ASSY, 24 POS



TE Part # 2272388-4
HEADER ASSY, 16 POS



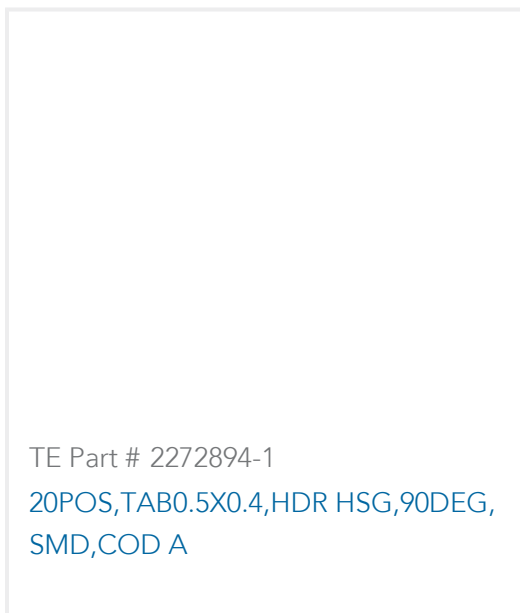
TE Part # 2272400-2
4POS,0.5X0.4,TAB HSG ASSY,UNSLD, COD B



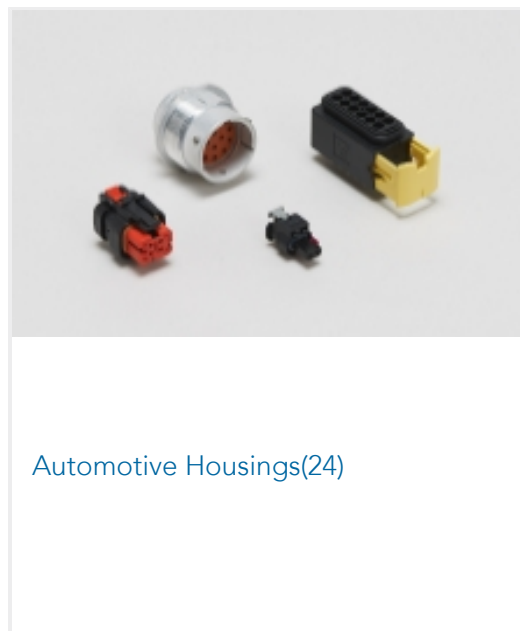
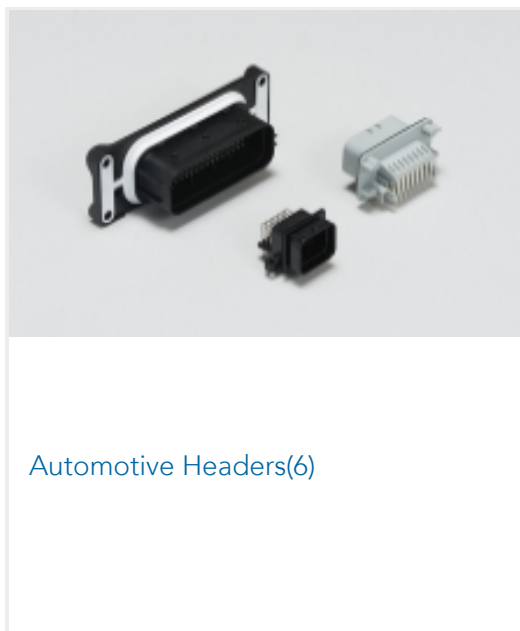
TE Part # 2272400-4
4POS,0.5X0.4,TAB HSG ASSY,UNSLD, COD D



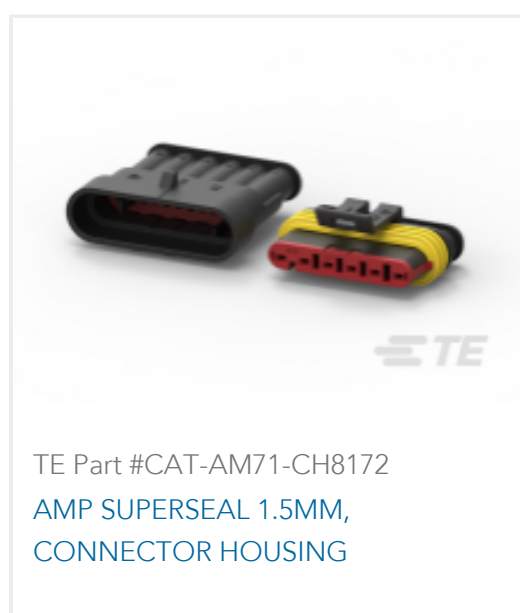
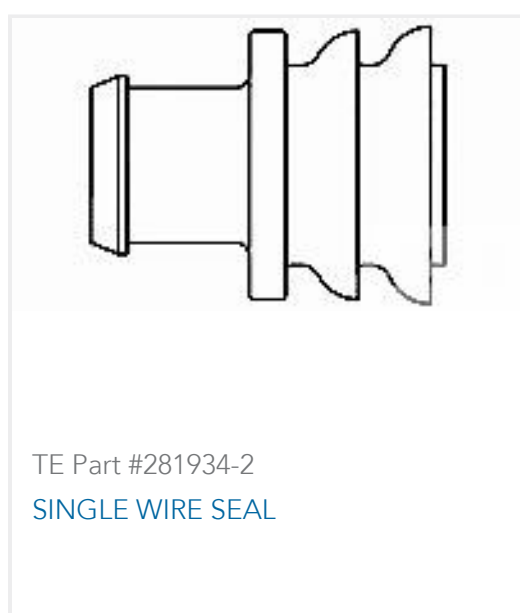
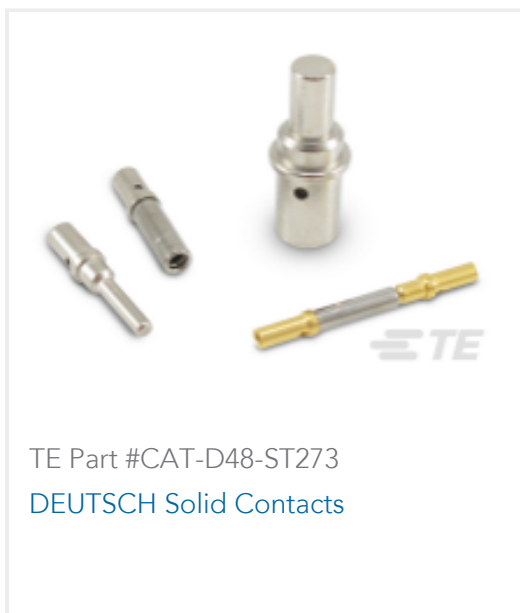
TE Part # CAT-M8793-CH8172
MQS, CONNECTOR HOUSING



Also in the Series | **Generation 50**



Customers Also Bought



Documents

Product Drawings

Contact, 50 Series, fem, 0.13s

English

CAD Files

3D PDF

3D



Customer View Model

[ENG_CVM_CVM_2098583-4_B2.2d_dxf.zip](#)

English

Customer View Model

[ENG_CVM_CVM_2098583-4_B2.3d_igs.zip](#)

English

Customer View Model

[ENG_CVM_CVM_2098583-4_B2.3d_stp.zip](#)

English

By downloading the CAD file I accept and agree to the [Terms and Conditions](#) of use.

Product Specifications

[Application Specification](#)

English