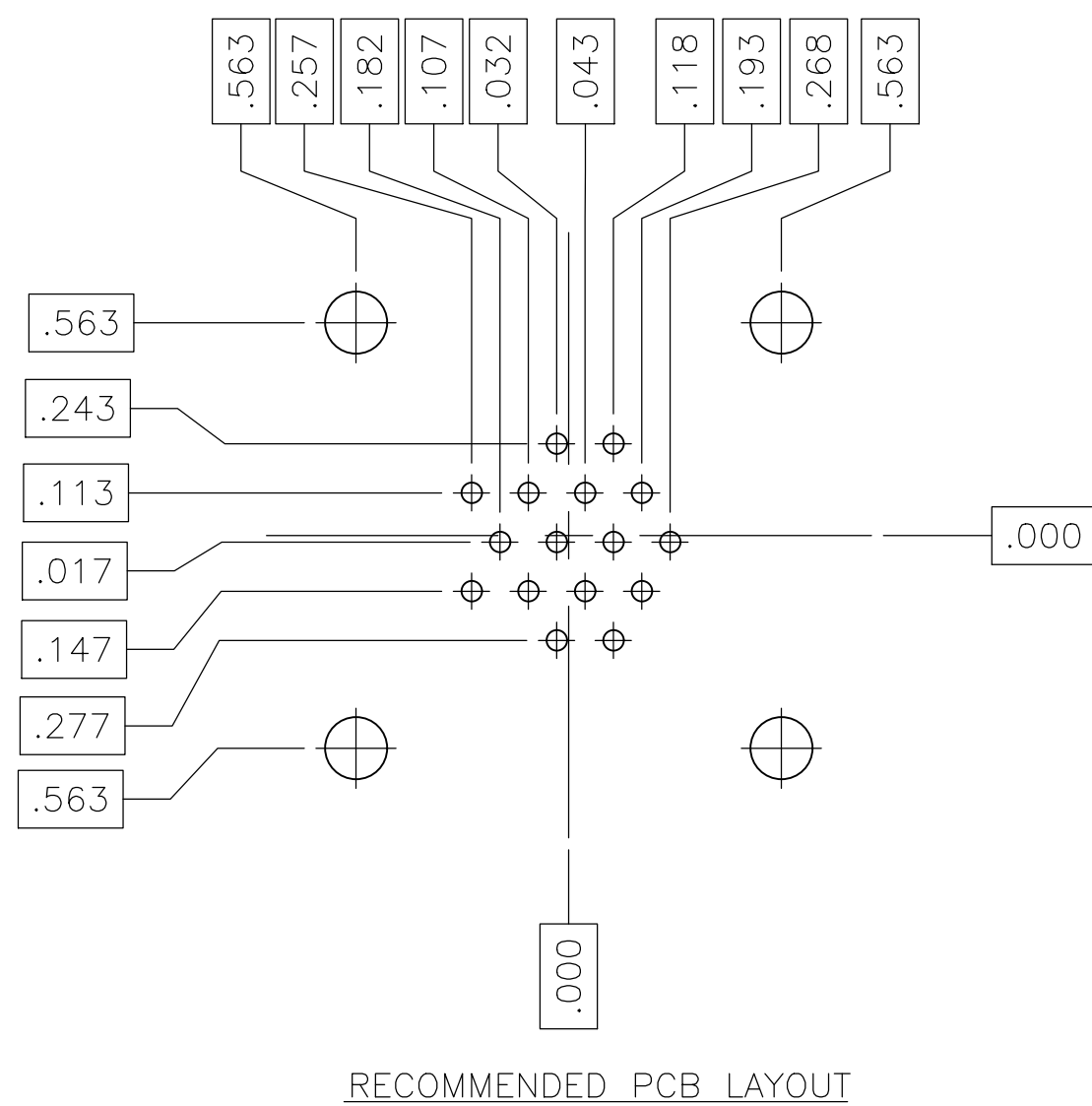
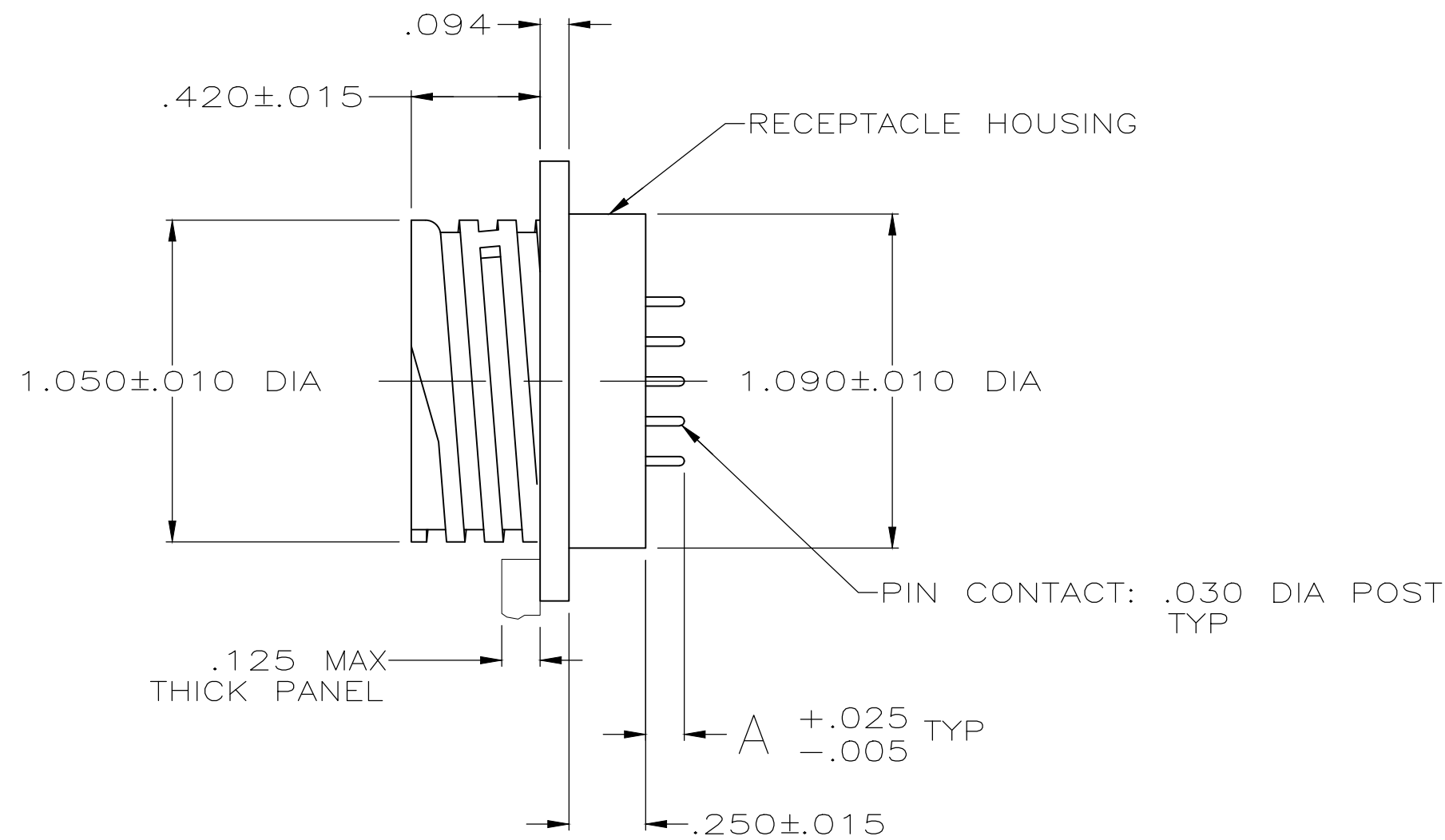
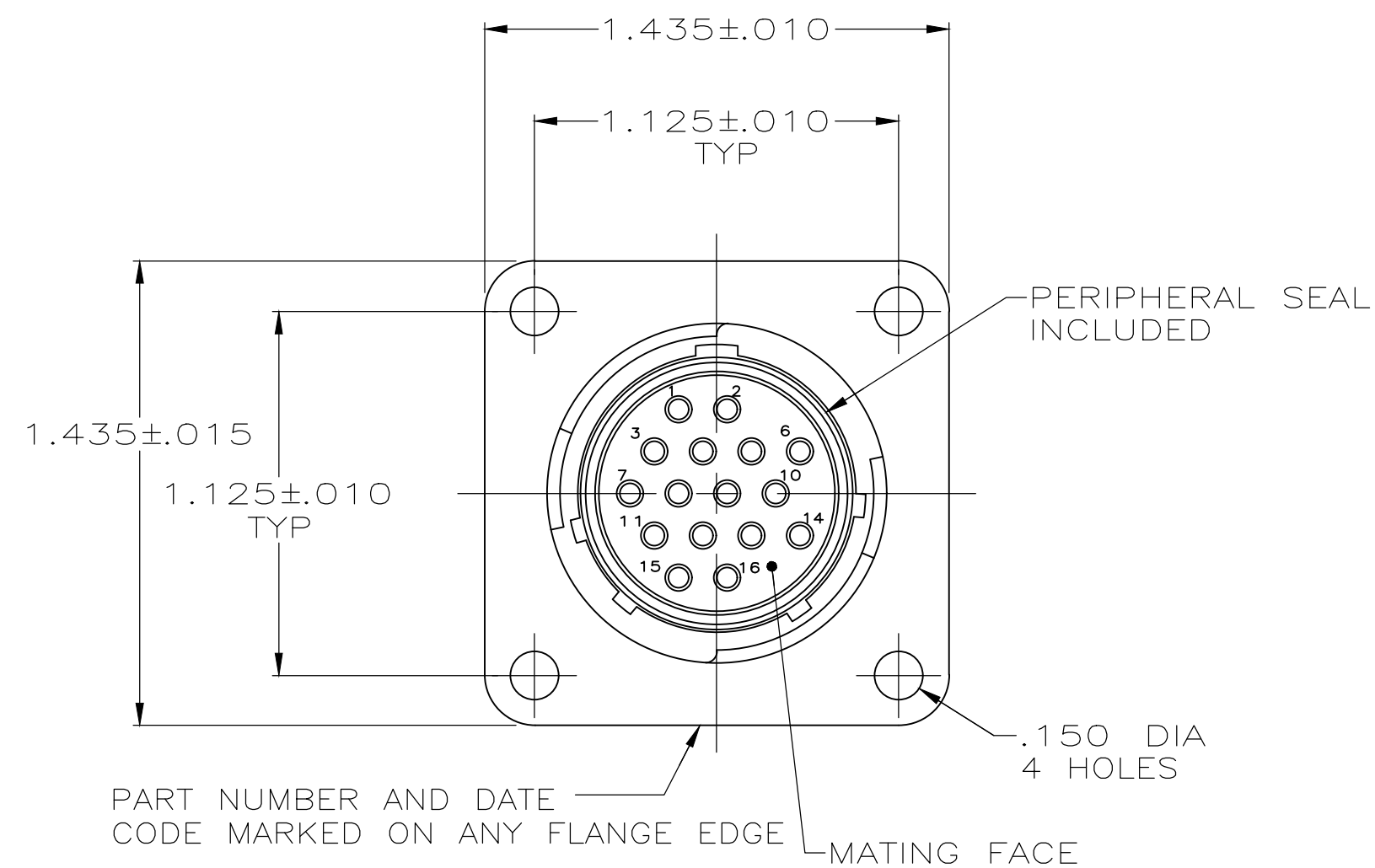


THIS DRAWING IS UNPUBLISHED. RELEASED FOR PUBLICATION
 © COPYRIGHT - 0 ALL RIGHTS RESERVED.

REVISIONS					
P	LTR	DESCRIPTION	DATE	DWN	APVD
F		REVISED PER 0G3B-0147-03	5/23/03	SS	SH
G		REVISED PER ECO-17-000037	10MAR2017	RS	MZ
H		REVISED PER ECO-18-007248	17MAY2018	KH	MZ



OBSOLETE	.175	4	207292-4
	.175	3	207292-3
	.125	4	207292-2
	.125	3	207292-1
A	FINISH	PART NUMBER	

- 1 NYLON, UL 94V-0 RATED, BLACK.
- 2 BRASS.
- 3 .000100 MIN TIN PER MIL-T-10727 OVER NICKEL FLASH PER QQ-N-290.
- 4 .000030 MIN GOLD PER MIL-G-45204 OVER .000030 MIN NICKEL PER QQ-N-290.

THIS DRAWING IS A CONTROLLED DOCUMENT.		DWN J GALLUCCI BG 5-22-91	TE Connectivity	
DIMENSIONS: INCHES		CHK R.STONE 3-4-92	POSTED RECEPTACLE ASSEMBLY, STD SEX, SERIES 1, 17-16, CPC	
TOLERANCES UNLESS OTHERWISE SPECIFIED: 0 PLC ± - 1 PLC ± - 2 PLC ± - 3 PLC ± .005 4 PLC ± - ANGLES ± -		APVD -	NAME	RESTRICTED TO
MATERIAL RECEPT HOUSING: 1 PIN CONTACT: 2		FINISH PIN CONTACT: SEE TABLE	SIZE A2	CAGE CODE 00779
CUSTOMER DRAWING		DRAWING NO C-207292	SCALE 2:1	SHEET 1 OF 1