

TE Internal #: 2063041-1  
 Commercial Crimp Tooling, Operator Releasable & Adjustable,  
 Removable/Interchangeable, TE Product Specification (114-),  
 Manual, Hand Crimping Tools

[View on TE.com >](#)



Application Tooling > Hand Crimping Tools



Tool Grade: **Commercial Crimp Tooling**  
 Ratchet Configuration: **Operator Releasable & Adjustable**  
 Die Sets Type: **Removable/Interchangeable**  
 Specification Type: **TE Product Specification (114-)**  
 TE Certification: **Cannot be Certified**

### Features

#### Other

Tool Grade	Commercial Crimp Tooling
Ratchet Configuration	Operator Releasable & Adjustable
Die Sets Type	Removable/Interchangeable
Specification Type	TE Product Specification (114-)
TE Certification	Cannot be Certified
Power Technology Type	Manual
Tooling Type	SDE Crimp Hand Tool

### Product Compliance

[For compliance documentation, visit the product page on TE.com>](#)

EU RoHS Directive 2011/65/EU	Out of Scope
EU ELV Directive 2000/53/EC	Out of Scope
China RoHS 2 Directive MIIT Order No 32, 2016	Not reviewed for China RoHS compliance
EU REACH Regulation (EC) No. 1907/2006	Current ECHA Candidate List: JAN 2025 (247) Candidate List Declared Against: JAN 2025 (247) Does not contain REACH SVHC
Halogen Content	Low Halogen - Br, Cl, F, I < 900 ppm per homogenous material. Also BFR/CFR/PVC Free



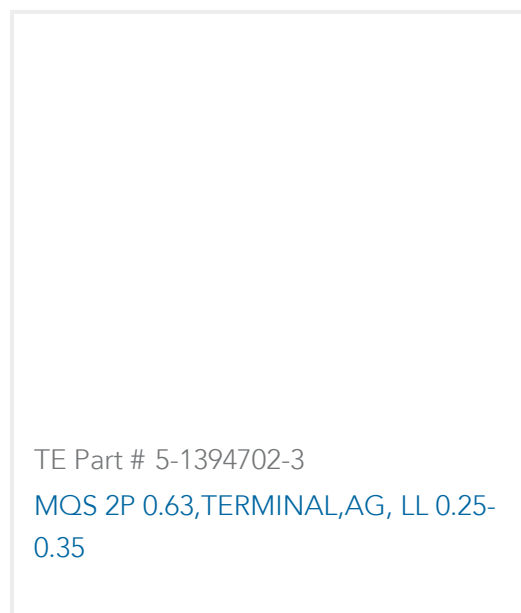
Solder Process Capability

Not applicable for solder process capability

Product Compliance Disclaimer

This information is provided based on reasonable inquiry of our suppliers and represents our current actual knowledge based on the information they provided. This information is subject to change. The part numbers that TE has identified as EU RoHS compliant have a maximum concentration of 0.1% by weight in homogenous materials for lead, hexavalent chromium, mercury, PBB, PBDE, DBP, BBP, DEHP, DIBP, and 0.01% for cadmium, or qualify for an exemption to these limits as defined in the Annexes of Directive 2011/65/EU (RoHS2). Finished electrical and electronic equipment products will be CE marked as required by Directive 2011/65/EU. Components may not be CE marked. Additionally, the part numbers that TE has identified as EU ELV compliant have a maximum concentration of 0.1% by weight in homogenous materials for lead, hexavalent chromium, and mercury, and 0.01% for cadmium, or qualify for an exemption to these limits as defined in the Annexes of Directive 2000/53/EC (ELV). Regarding the REACH Regulations, TE's information on SVHC in articles for this part number is still based on the European Chemical Agency (ECHA) 'Guidance on requirements for substances in articles' (Version: 2, April 2011), applying the 0.1% weight on weight concentration threshold at the finished product level. TE is aware of the European Court of Justice ruling of September 10th, 2015 also known as O5A (Once An Article Always An Article) stating that, in case of 'complex object', the threshold for a SVHC must be applied to both the product as a whole and simultaneously to each of the articles forming part of its composition. TE has evaluated this ruling based on the new ECHA "Guidance on requirements for substances in articles" (June 2017, version 4.0) and will be updating its statements accordingly.

### Compatible Parts



TE Part # 5-1394702-3  
MQS 2P 0.63, TERMINAL, AG, LL 0.25-0.35



TE Part # 2063041-2  
SDE MQS 0.25-0.5mm2 DIE SET



TE Part # 2362810-1  
SDE CRIMP HAND TOOL FRAME W/O DIES



TE Part # 6-928918-3  
MQS0,63 Ag tab LL unseal. 0,2-0,35



TE Part # CAT-M8793-T273  
MQS, RECEPTACLE AND TAB

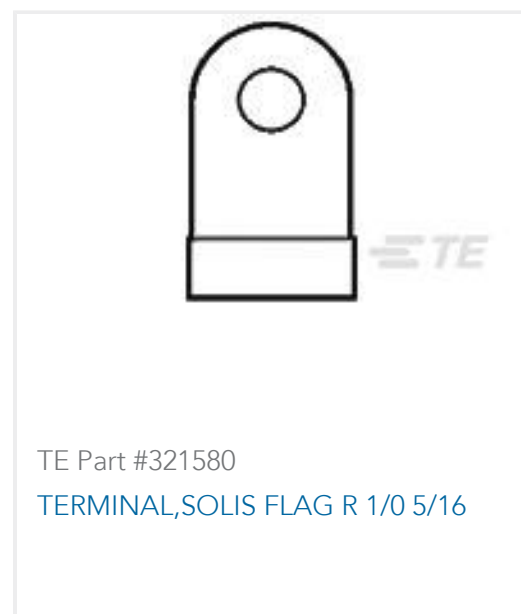
### Customers Also Bought



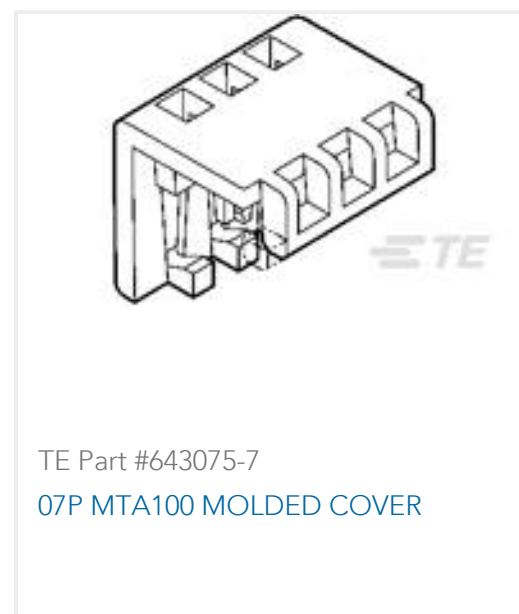
TE Part # TAD14747101-002  
M12D4-MS-MS-FRNC TYPE B GREEN-1.0M



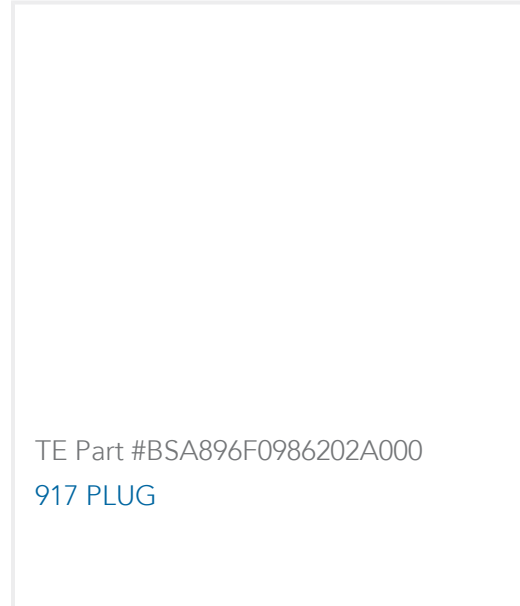
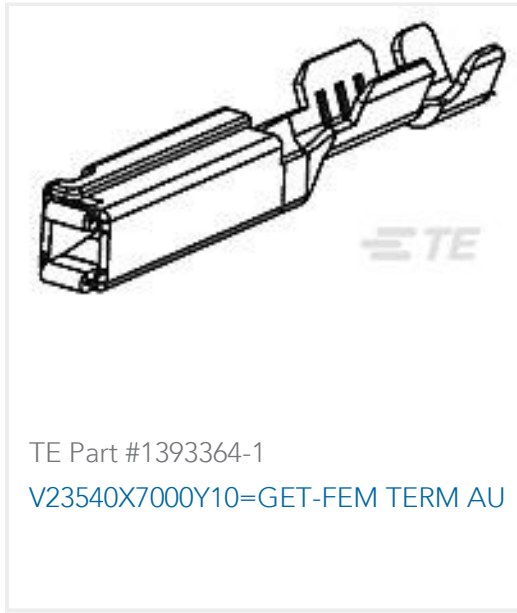
TE Part # 206306-3  
CPC RECPT SEALED SIZE 23-37



TE Part # 321580  
TERMINAL, SOLIS FLAG R 1/0 5/16



TE Part # 643075-7  
07P MTA100 MOLDED COVER



## Documents

### Instruction Sheets

[Instruction Sheet \(U.S.\)](#)

English