

TE Internal #: 2007435-3

HDMI Connector Receptacle, Standard Profile, 1 Port, Top,
Perpendicular Right Angle, Through Hole - Solder, Cable-to-Board,
19 Position

[View on TE.com >](#)

Connectors > Audio & Video Connectors > HDMI Connectors

Connector & Housing Type: **Receptacle**Connector Profile: **Standard**Number of Ports: **1**PCB Mount Location: **Top**PCB Mount Orientation: **Perpendicular Right Angle**

Features

Product Type Features

| | |
|-----------------------------------|-----------------------|
| Connector & Housing Type | Receptacle |
| Connector System | Cable-to-Board |
| Connector & Contact Terminates To | Printed Circuit Board |

Configuration Features

| | |
|-----------------------|---------------------------|
| Stacked | No |
| Number of Ports | 1 |
| PCB Mount Orientation | Perpendicular Right Angle |
| Number of Positions | 19 |

Body Features

| | |
|------------------------|----------|
| Shell Plating Material | Tin |
| Shell Plating Finish | Matte |
| Connector Profile | Standard |

Contact Features

| | |
|--|--------------------------|
| Contact Mating Area Plating Material | Gold (Au) |
| Contact Mating Area Plating Material Thickness | .38 μ m[15 μ in] |
| Contact Current Rating (Max) | .5 A |

Termination Features

| | |
|--------------------------------|-----------------|
| Termination Post & Tail Length | 2.3 mm[.091 in] |
|--------------------------------|-----------------|



| | |
|---------------------------|-----------------------|
| Termination Method to PCB | Through Hole - Solder |
|---------------------------|-----------------------|

Mechanical Attachment

| | |
|--------------------------|---------------------------|
| PCB Mount Retention Type | Kinked Legs, Straight Leg |
| PCB Mount Alignment Type | Locating Posts |
| PCB Mount Location | Top |
| Connector Mounting Type | Board Mount |

Housing Features

| | |
|--------------------|---------------|
| Housing Color | Black |
| Centerline (Pitch) | 1 mm[.039 in] |

Dimensions

| | |
|---------------------|-----------------|
| PCB Thickness (Min) | 1.6 mm[.063 in] |
|---------------------|-----------------|

Usage Conditions

| | |
|-----------------------------|--------------------------|
| Mating Cycles (Max) | 10000 |
| Soldering Temperature (Max) | 240 °C[464 °F] |
| Operating Temperature Range | -20 – 85 °C[-4 – 185 °F] |

Operation/Application

| | |
|---------------------|--------|
| Circuit Application | Signal |
|---------------------|--------|

Packaging Features

| | |
|------------------|------|
| Packaging Method | Tray |
|------------------|------|

Product Compliance

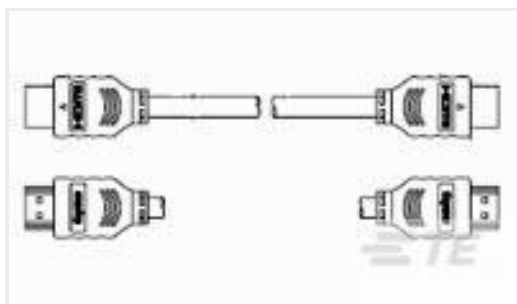
[For compliance documentation, visit the product page on TE.com>](#)

| | |
|---|---|
| EU RoHS Directive 2011/65/EU | Compliant |
| EU ELV Directive 2000/53/EC | Compliant |
| China RoHS 2 Directive MIIT Order No 32, 2016 | No Restricted Materials Above Threshold |
| EU REACH Regulation (EC) No. 1907/2006 | Current ECHA Candidate List: JAN 2025 (247) Candidate List Declared Against: JAN 2025 (247) Does not contain REACH SVHC |
| Halogen Content | Not Low Halogen - contains Br or Cl > 900 ppm. |
| Solder Process Capability | Wave solder capable to 265°C |

Product Compliance Disclaimer

This information is provided based on reasonable inquiry of our suppliers and represents our current actual knowledge based on the information they provided. This information is subject to change. The part numbers that TE has identified as EU RoHS compliant have a maximum concentration of 0.1% by weight in homogenous materials for lead, hexavalent chromium, mercury, PBB, PBDE, DBP, BBP, DEHP, DIBP, and 0.01% for cadmium, or qualify for an exemption to these limits as defined in the Annexes of Directive 2011/65/EU (RoHS2). Finished electrical and electronic equipment products will be CE marked as required by Directive 2011/65/EU. Components may not be CE marked. Additionally, the part numbers that TE has identified as EU ELV compliant have a maximum concentration of 0.1% by weight in homogenous materials for lead, hexavalent chromium, and mercury, and 0.01% for cadmium, or qualify for an exemption to these limits as defined in the Annexes of Directive 2000/53/EC (ELV). Regarding the REACH Regulation, the information TE provides on SVHC in articles for this part number is based on the latest European Chemicals Agency (ECHA) 'Guidance on requirements for substances in articles' posted at this URL: <https://echa.europa.eu/guidance-documents/guidance-on-reach>

Compatible Parts



TE Part # 1770019-6
CABLE ASSY, HDMI

Customers Also Bought



TE Part #364914-E
STVC 64 M AC VV 4-00 0606 ** 247
E007 1



TE Part #T2070104101-000
H10BN-T3-M



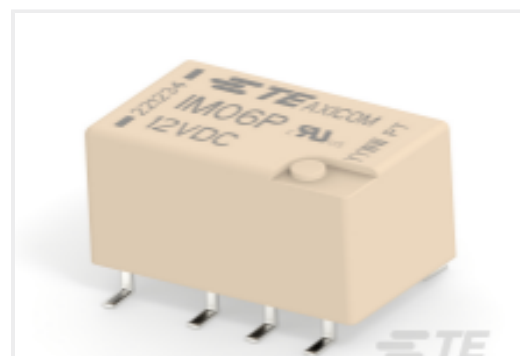
TE Part #CAT-H3399-H648
HDC HMN Modular System, Rail
Compliant



TE Part #T1500103000-000
H10B-AG-LB



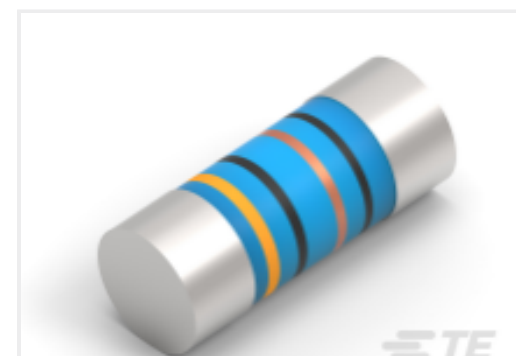
TE Part #4-1437565-9
FSM6JSMA=SMT,TACTILE,PB SWITCH



TE Part #5-1462039-6
IM06PGR=IM RELAY 140mW 12V



TE Part #1625868-6
RP 2A 0.25W 200R 0.1% 25PPM 1K RL



TE Part #4-2176316-7
MELF SMA_A 560R 1% 50PPM 0207
1W



Documents

Product Drawings

[Std HDMI, Flag, T/H](#)

English

CAD Files

Customer View Model

[ENG_CVM_CVM_2007435-3_C.2d_dxf.zip](#)

English

[3D PDF](#)

3D

Customer View Model

[ENG_CVM_CVM_2007435-3_C.3d_igs.zip](#)

English

Customer View Model

[ENG_CVM_CVM_2007435-3_C.3d_stp.zip](#)

English

By downloading the CAD file I accept and agree to the [Terms and Conditions](#) of use.

Product Specifications

[Application Specification](#)

English