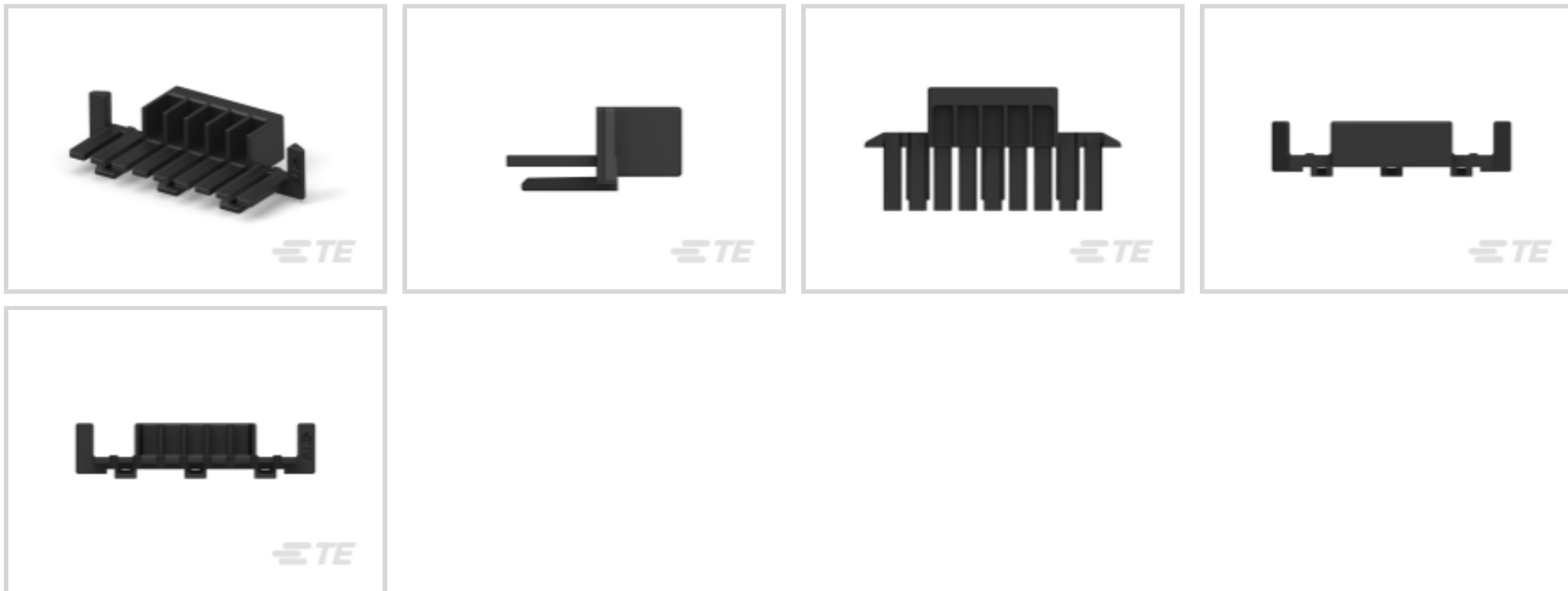




Connectors > Connector Accessories > Connector Hardware



Hardware Accessory Function: **Latching, Locking & Retention**

Connector Hardware Accessory Type: **Retainer**

Number of Positions: **9**

Operating Temperature (Max): **105 °C [221 °F]**

Operating Temperature Range: **-55 – 105 °C [-67 – 221 °F]**

Features

Product Type Features

Hardware Accessory Function	Latching, Locking & Retention
Connector Hardware Accessory Type	Retainer

Configuration Features

Number of Rows	1
Number of Positions	9

Housing Features

Centerline (Pitch)	2.5 mm [.098 in]
--------------------	------------------

Dimensions

Row-to-Row Spacing	2.5 mm [.098 in]
--------------------	------------------

Usage Conditions

Operating Temperature (Max)	105 °C [221 °F]
Operating Temperature Range	-55 – 105 °C [-67 – 221 °F]

Product Compliance

[For compliance documentation, visit the product page on TE.com>](#)

EU RoHS Directive 2011/65/EU	Compliant
EU ELV Directive 2000/53/EC	Compliant
China RoHS 2 Directive MIIT Order No 32, 2016	No Restricted Materials Above Threshold
EU REACH Regulation (EC) No. 1907/2006	Current ECHA Candidate List: JAN 2025 (247) Candidate List Declared Against: JAN 2025 (247) Does not contain REACH SVHC
Halogen Content	Not Low Halogen - contains Br or Cl > 900 ppm.
Solder Process Capability	Not reviewed for solder process capability

Product Compliance Disclaimer

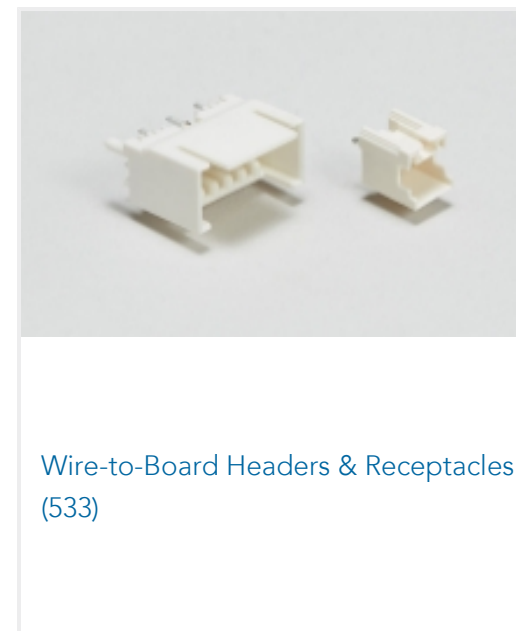
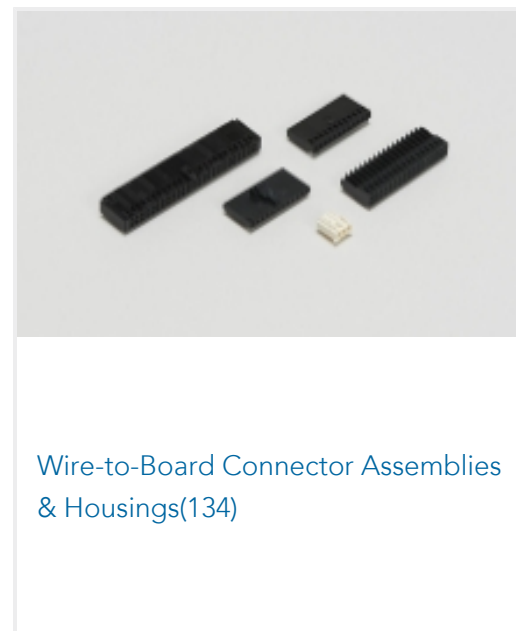
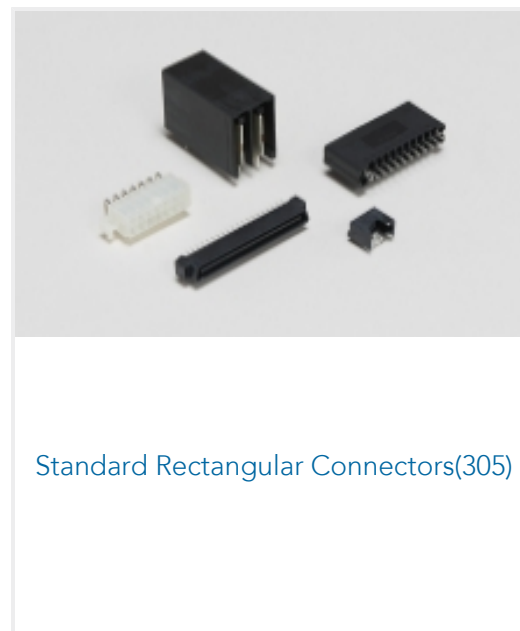
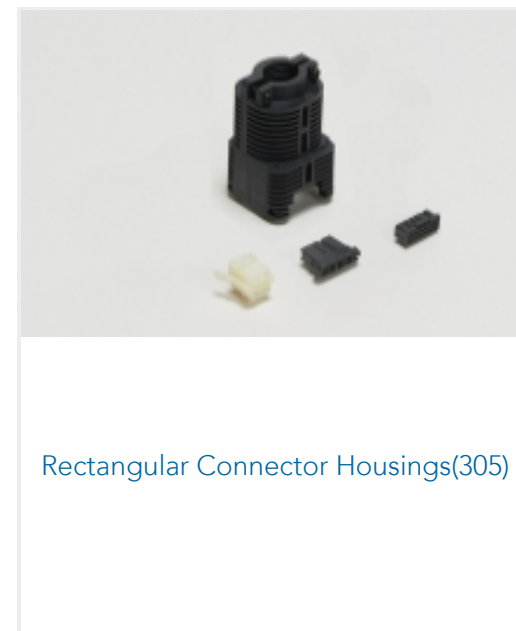
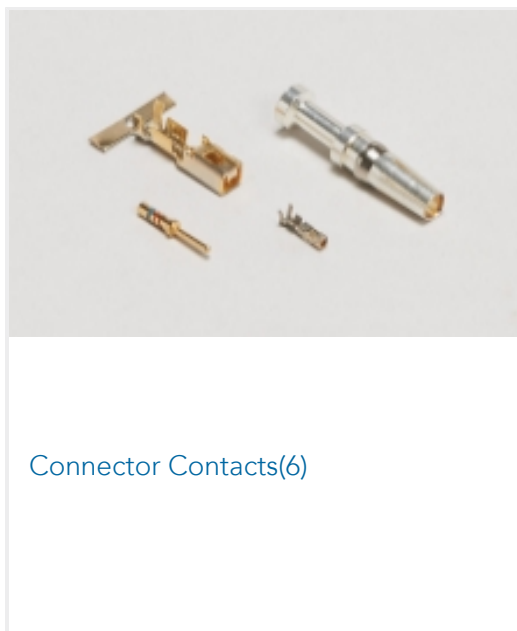
This information is provided based on reasonable inquiry of our suppliers and represents our current actual knowledge based on the information they provided. This information is subject to change. The part numbers that TE has identified as EU RoHS compliant have a maximum concentration of 0.1% by weight in homogenous materials for lead, hexavalent chromium, mercury, PBB, PBDE, DBP, BBP, DEHP, DIBP, and 0.01% for cadmium, or qualify for an exemption to these limits as defined in the Annexes of Directive 2011/65/EU (RoHS2). Finished electrical and electronic equipment products will be CE marked as required by Directive 2011/65/EU. Components may not be CE marked. Additionally, the part numbers that TE has identified as EU ELV compliant have a maximum concentration of 0.1% by weight in homogenous materials for lead, hexavalent chromium, and mercury, and 0.01% for cadmium, or qualify for an exemption to these limits as defined in the Annexes of Directive 2000/53/EC (ELV). Regarding the REACH Regulation, the information TE provides on SVHC in articles for this part number is based on the latest European Chemicals Agency (ECHA) 'Guidance on requirements for substances in articles' posted at this URL: <https://echa.europa.eu/guidance-documents/guidance-on-reach>

Compatible Parts

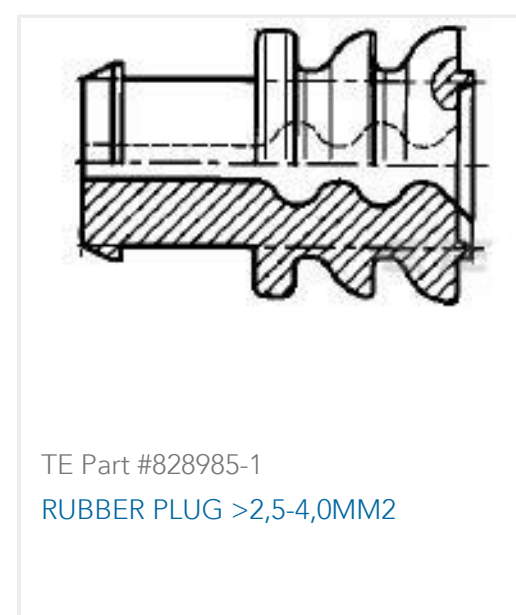
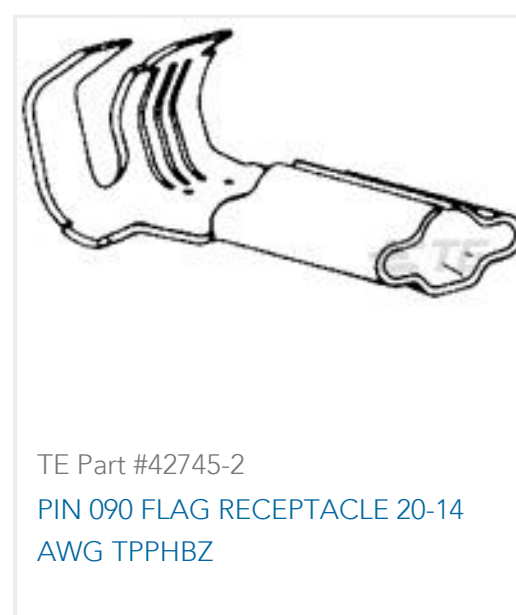
 <p>TE Part # 3-2315219-2 DUAL ROW ERGO TPA EP 2.5 32 POSITIONS</p>	 <p>TE Part # 1-1969825-1 EP 2.5 TPA RETAINER, 11 POS</p>	 <p>TE Part # 1-1969825-0 EP 2.5 TPA RETAINER, 10 POS</p>	 <p>TE Part # 1-1969443-0 EP 2.5 TPA Retainer, 10 Pos</p>
 <p>TE Part # 1969443-9 EP 2.5 TPA Retainer, 9 Pos</p>	 <p>TE Part # 1-1969825-4 EP 2.5 TPA RETAINER, 14 POS</p>	 <p>TE Part # 1-1969825-2 EP 2.5 TPA RETAINER, 12 POS</p>	 <p>TE Part # 1-1969443-1 EP 2.5 TPA Retainer, 11 Pos</p>

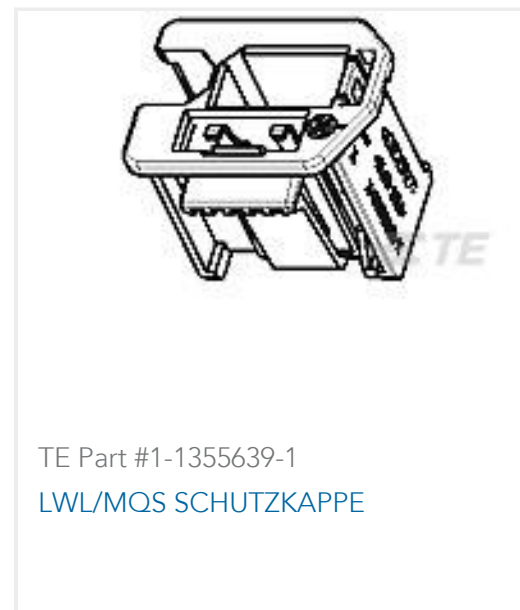


Also in the Series | Economy Power 2.5



Customers Also Bought





Documents

Product Drawings

EP 2.5 TPA RETAINER, 9 POS

English

CAD Files

3D PDF

3D

Customer View Model

[ENG_CVM_CVM_1969825-9_B.2d_dxf.zip](#)

English

Customer View Model

[ENG_CVM_CVM_1969825-9_B.3d_igs.zip](#)

English

Customer View Model

[ENG_CVM_CVM_1969825-9_B.3d_stp.zip](#)

English

By downloading the CAD file I accept and agree to the [Terms and Conditions](#) of use.

Datasheets & Catalog Pages

7-1773461-6_EP2.5_Connector_Series

English

Product Specifications

Application Specification

English

Instruction Sheets

Instruction Sheet (U.S.)

English

Agency Approvals

VDE Certificate

English