

1969820-1 ✓ ACTIVE

Positive Lock | Mark II, Positive Lock 250

TE Internal #: 1969820-1

Receptacle, 1 Position, Straight, UL 94V-0, Black, LCP, Cable Mount
(Free-Hanging), Positive Lock 250, Crimp Terminal Housings

[View on TE.com >](#)



Terminals & Splices > Terminal Housings, Insulation Sleeves & Blocks > Crimp Terminal Housings



Terminal Type: **Receptacle**

Connector & Housing Type: **Receptacle**

Number of Positions: **1**

Terminal Orientation: **Straight**

UL Flammability Rating: **UL 94V-0**

Features

Product Type Features

Connector & Contact Terminates To	Wire & Cable
Sealable	No
Connector & Housing Type	Receptacle

Configuration Features

Number of Positions	1
---------------------	---

Body Features

Primary Product Color	Black
-----------------------	-------

Contact Features

Terminal Type	Receptacle
Terminal Orientation	Straight
Contact Mating Retention	With

Mechanical Attachment

Mating Alignment Type	Polarization
Mating Retention Type	Latch



Mating Alignment	With
Connector Mounting Type	Cable Mount (Free-Hanging)

Housing Features

Housing Material	LCP
------------------	-----

Usage Conditions

Operating Temperature Range	-40 – 240 °C[-40 – 464 °F]
-----------------------------	----------------------------

Industry Standards

UL Flammability Rating	UL 94V-0
------------------------	----------

Product Compliance

[For compliance documentation, visit the product page on TE.com>](#)

EU RoHS Directive 2011/65/EU	Compliant
EU ELV Directive 2000/53/EC	Compliant
China RoHS 2 Directive MIIT Order No 32, 2016	No Restricted Materials Above Threshold
EU REACH Regulation (EC) No. 1907/2006	Current ECHA Candidate List: JAN 2025 (247) Candidate List Declared Against: JAN 2025 (247) Does not contain REACH SVHC
Halogen Content	Low Halogen - Br, Cl, F, I < 900 ppm per homogenous material. Also BFR/CFR/PVC Free
Solder Process Capability	Not reviewed for solder process capability

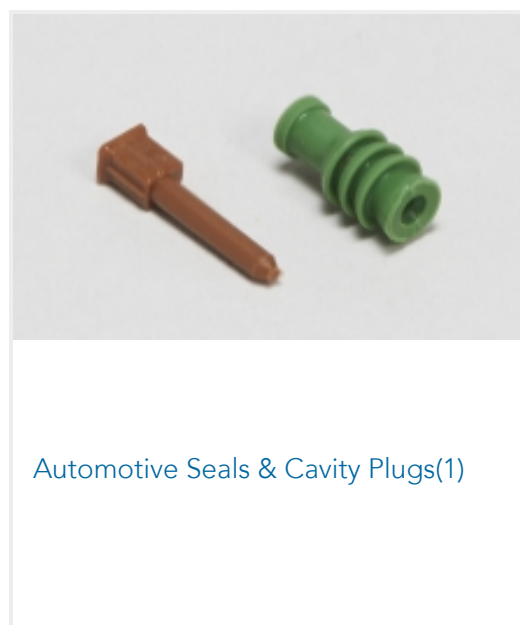
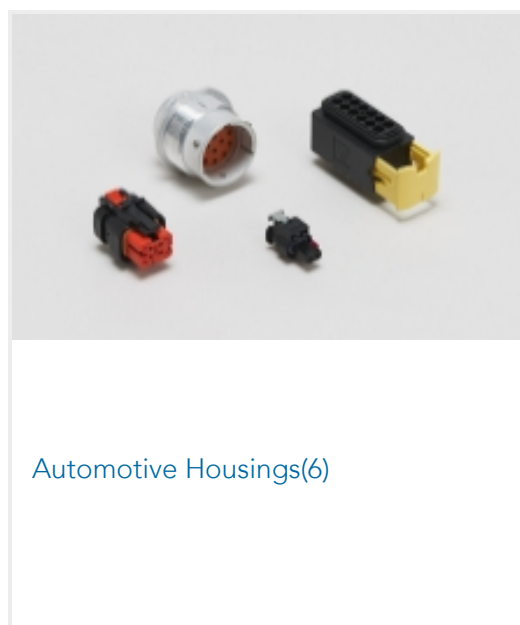
Product Compliance Disclaimer

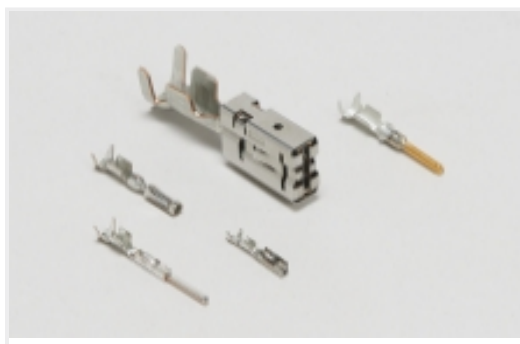
This information is provided based on reasonable inquiry of our suppliers and represents our current actual knowledge based on the information they provided. This information is subject to change. The part numbers that TE has identified as EU RoHS compliant have a maximum concentration of 0.1% by weight in homogenous materials for lead, hexavalent chromium, mercury, PBB, PBDE, DBP, BBP, DEHP, DIBP, and 0.01% for cadmium, or qualify for an exemption to these limits as defined in the Annexes of Directive 2011/65/EU (RoHS2). Finished electrical and electronic equipment products will be CE marked as required by Directive 2011/65/EU. Components may not be CE marked. Additionally, the part numbers that TE has identified as EU ELV compliant have a maximum concentration of 0.1% by weight in homogenous materials for lead, hexavalent chromium, and mercury, and 0.01% for cadmium, or qualify for an exemption to these limits as defined in the Annexes of Directive 2000/53/EC (ELV). Regarding the REACH Regulation, the information TE provides on SVHC in articles for this part number is based on the latest European Chemicals Agency (ECHA) 'Guidance on requirements for substances in articles' posted at this URL: <https://echa.europa.eu/guidance-documents/guidance-on-reach>

Compatible Parts



Also in the Series | **Mark II**





Automotive Terminals(1)

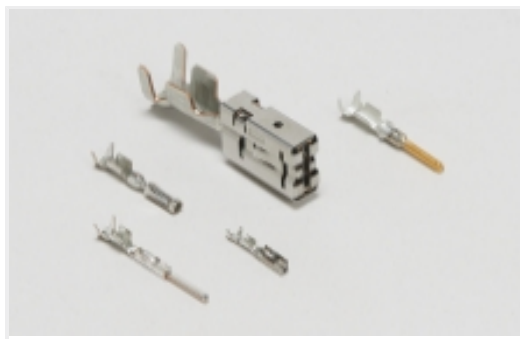


Crimp Terminal Housings(177)

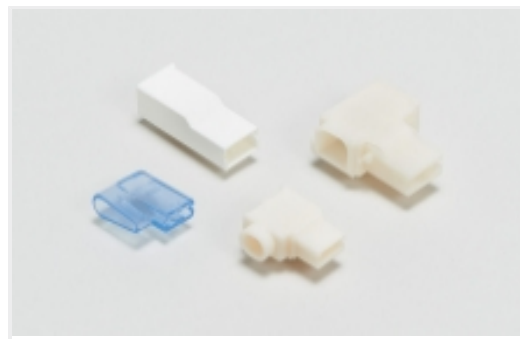


Quick Disconnects(171)

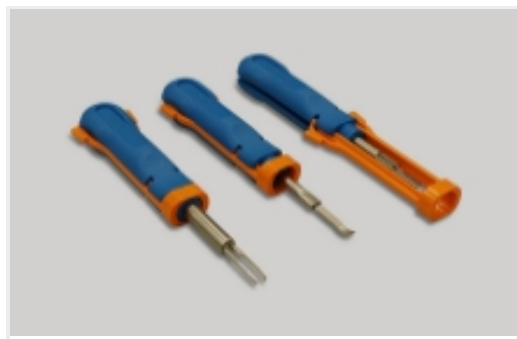
Also in the Series | Positive Lock 250



Automotive Terminals(1)



Crimp Terminal Housings(177)



Insertion & Extraction Tools(3)



Insulation Boots & Sleeves(5)



Quick Disconnects(171)

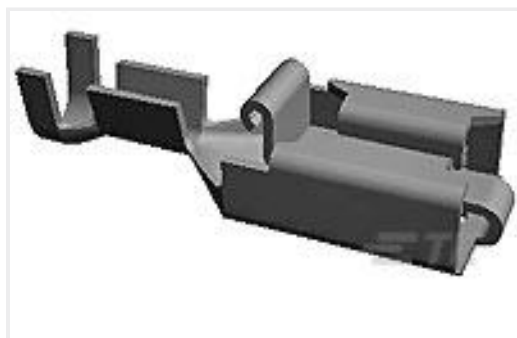
Customers Also Bought



TE Part #33460
TERMINAL,SOLIS R 8 10



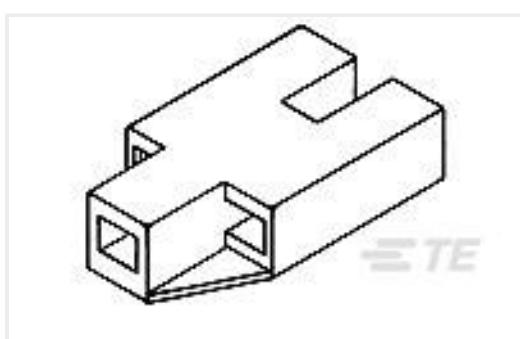
TE Part #2-35771-1
TERMINAL,SOLIS R 12-10 10



TE Part #154717-3
PL 250 REC TERMINAL 14-11 AWG
TPBR



TE Part #320765
TERMINAL,SOLIS R 12-10 3/4



TE Part #360050-1
090 DIA CLSTR BLK



TE Part #1376382-1
5mm B-T-W Conn. 2P HDR ASSEMBL



TE Part #5-1393144-0
K10P-11DT5-12=K10/K20



TE Part #1744423-1
EP 2.5 RCPT CONTACT, 24-20 AWG



TE Part #1761681-1
IDC LOW PRO HDR 6P VERT HT
BLACK



TE Part #2110989-1
EP 2.5 RCPT CONTACT, 26-22 AWG

Documents

Product Drawings

[250 HIGH TEMP POS LOCK HSG LCP](#)

English

CAD Files

[3D PDF](#)

3D

Customer View Model

[ENG_CVM_CVM_1969820-1_A.2d_dxf.zip](#)

English

Customer View Model

[ENG_CVM_CVM_1969820-1_A.3d_igs.zip](#)

English

Customer View Model

[ENG_CVM_CVM_1969820-1_A.3d_stp.zip](#)

English

By downloading the CAD file I accept and agree to the [Terms and Conditions](#) of use.

Agency Approvals

[UL Report](#)

English